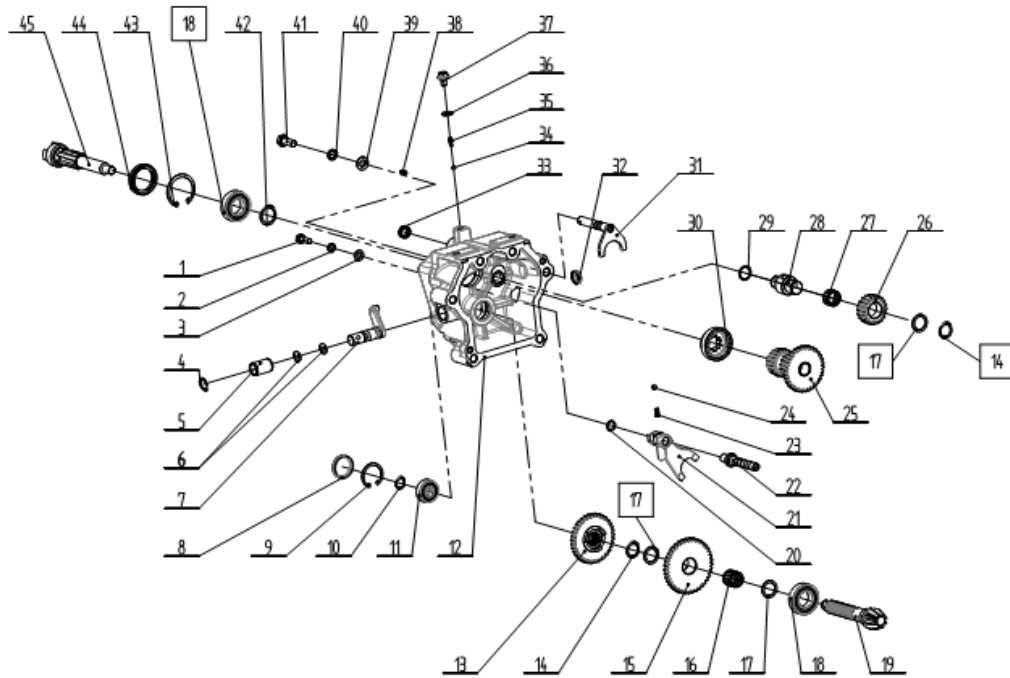
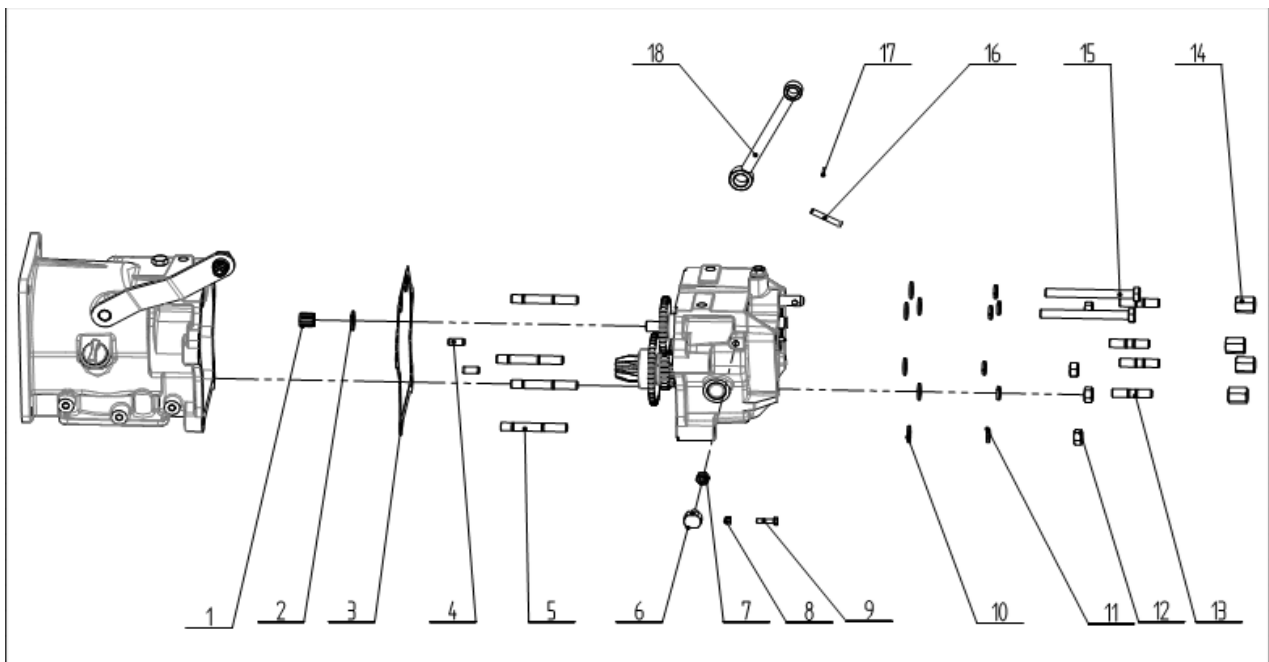


Lp	Kod	Nazwa	Ilość
1	360720013	Deep Groove Ball Bearing 6007	1
2	2101400007-0001	Clutch housing assembly	1
3	360220040	Hexagonal flange bolts small series M8×20	1
4	360890004	External serrated lock washers	1
5	360640005	Large washers	1
6	360720019	Bearing 6202	1
7	2101200002-0001	Clutch core assembly	1
8	2402500003-0001	Gasket sleeve	1
9	2111400003-0001	T26 Friction disk	1
10	2123900002-0007	Transmission Front Box	1
11	2102500002-0001	Clutch fork	1
12	3410800029-0001	Bushing 16×20×30	2
13	360710041	O-ring 11×2.8	2
14	2102400004-0001	Clutch fork shaft	1
15	360660010	Flat washer 8	1
16	360010003	Hexagonal nut M8	1
17	360620008	Spring washer 8	1
18	3005300006-0001	Clutch cable movable seat	1
19	360560027	Cotter pin 2×20	1
20	361020011	Pin 6×30	1
21	1101500004-0001	Oil dipstick assembly	1
22	2114500004-0001	Main shaft 1	1
23	360720009	Deep groove ball bearing 6004	1
24	360250124	Hexagon head bolt	1
25	3409000008-0001	Oil plug	1
26	360920053	Shaft elastic retaining ring	1

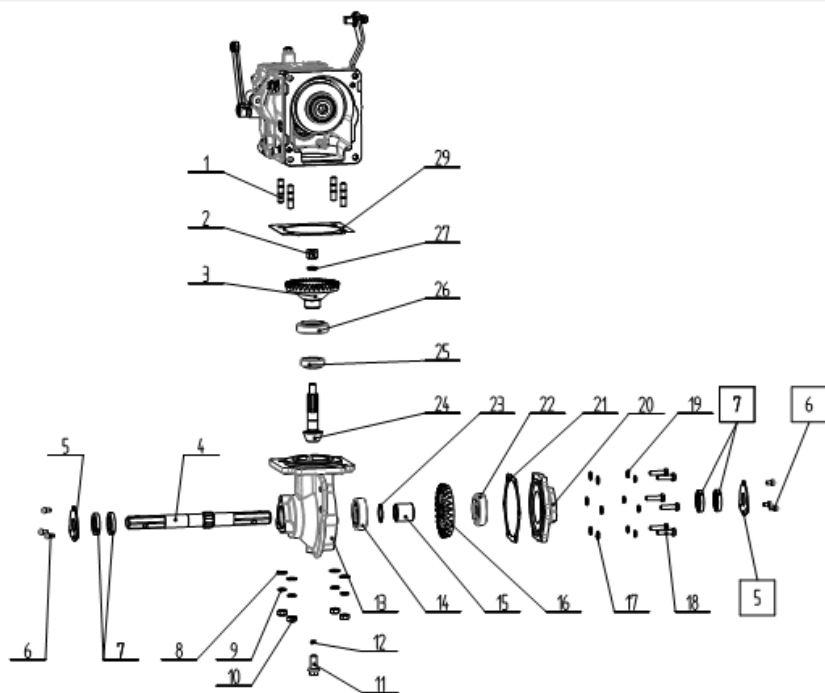


Lp	Kod	Nazwa	Ilość
1	360250024	Hexagon head bolts M8×20	1
2	360620008	Spring washers 8	1
3	360660010	Flat washers 8	1
4	360920053	Elastic retaining ring for shaft 16	1
5	3410800029-0001	Bushing 16×20×30	1
6	360710041	O-ring 11×2.8	2
7	2116500003-0001	Shift rocker arm	1
8	3409000003-0001	Oil plug 35×6	1
9	360910019	Elastic retaining ring for hole 35	1
10	360920059	Elastic retaining ring for shaft 15	1
11	360720019	Deep groove ball bearing 6202	1
12	2124100002-0004	Gearbox rear cover	1
13	2119800004-0001	Shift gear A	1
14	360920046	Flexible retaining ring for shaft 20	2
15	2119400005-0001	Transmission duplex gear	1
16	3419500002-0001	Needle roller bearing K20×24×20	1
17	3417000007-0001	Adjustment washer 20×27×1	3
18	360720011	Deep groove ball bearing 6005	2
19	2110000008-0001	Sub Shaft	1
20	3416100009-0001	O-ring 11.8×1.8	1
21	2101900002-0001	Shift fork	1
22	2101700003-0001	Shift fork shaft	1
23	3404800006-0001	Shift spring	1
24	360970009	Steel ball φ8	1
25	2153000001-0001	Triple gear	1
26	2117900001-0001	Reverse gear	1
27	360770003	Needle roller bearing K20×24×13	1
28	2116100004-0001	Reverse gear shaft	1
29	360710014	O-ring 18×1.8	1
30	2109900002-0001	PTO dial	1
31	2103500009-0002	PTO dial shaft assembly	1
32	3409000008-0001	Oil plug 20×6	1
33	3408800004-0001	Oil seal WD12×18×4	1
34	360970010	Steel ball φ6.35	1
35	3404800010-0001	Pressure spring	1
36	3416400001-0001	Gasket Ø8	1
37	360220038	Hexagonal flange face bolt small series M8×12	1
38	360850004	Cylindrical pin unhardened steel and austenitic stainless steel 5×10	1
39	360660013	Flat washer 10	1

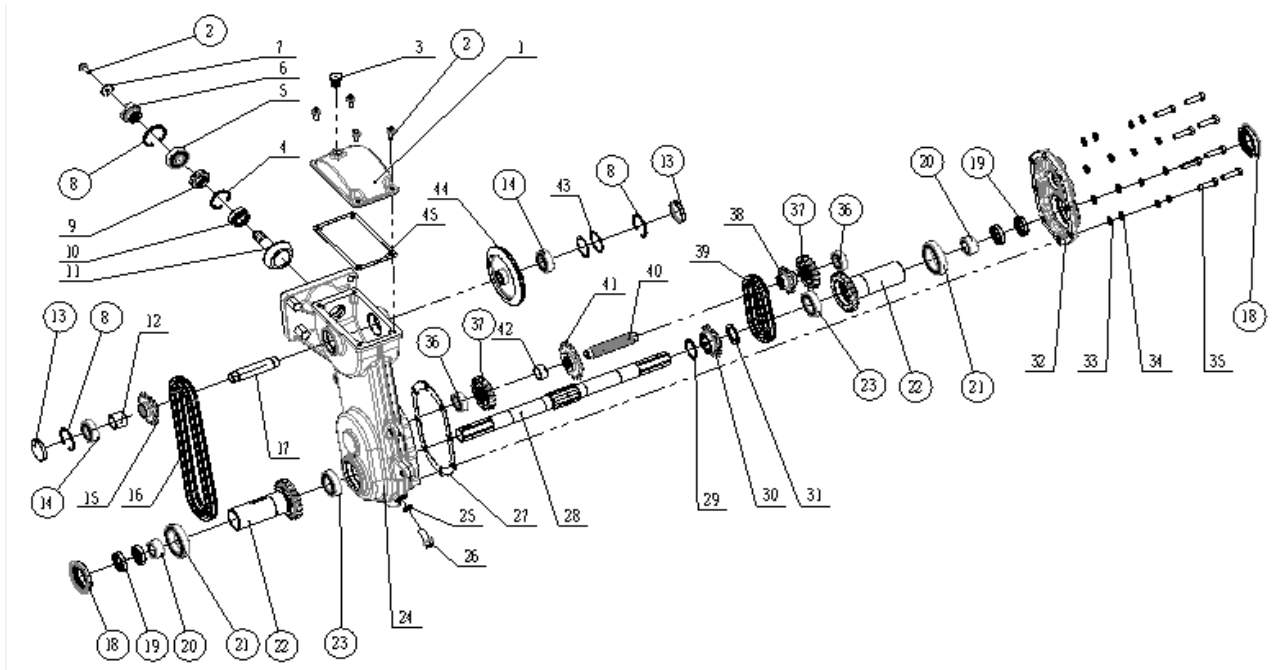
40	360620015	Spring washers 10	1
41	360220157	Hexagonal flange bolts M10x25	1
42	360920044	Elastic retaining ring for shaft 25	1
43	360910023	Elastic retaining ring for hole 47	1
44	3408800026-0001	Oil seal 35x47x7	1
45	2113900002-0001	PTO output shaft	1



Lp	Kod	Nazwa	Ilość
1	3419500005-0001	Needle roller bearing	1
2	3411800019-0001	Wear-resistant washer	1
3	3400800001-0001	Transmission rear box paper gasket	1
4	3411200003-0001	Locating pin	2
5	360520017	Double-headed stud	4
6	3005300003-0001	Clutch cable seat	1
7	360030003	Hexagon thin nut	1
8	360010033	Type 1 hexagonal nut	1
9	360250004	Full thread hexagon head bolt	1
10	360660013	Flat washer	6
11	360620015	Spring washers	6
12	360010008	Hexagon nuts type	4
13	360540007	Equal length double head studs grade	4
14	1203800018-0001	Cylinder head nuts	4
15	360260101	Hexagon head bolts	2
16	361020078	Pin	1
17	3402200003-0001	Circlip A	1
18	2401000002-0004	Shift arm	1

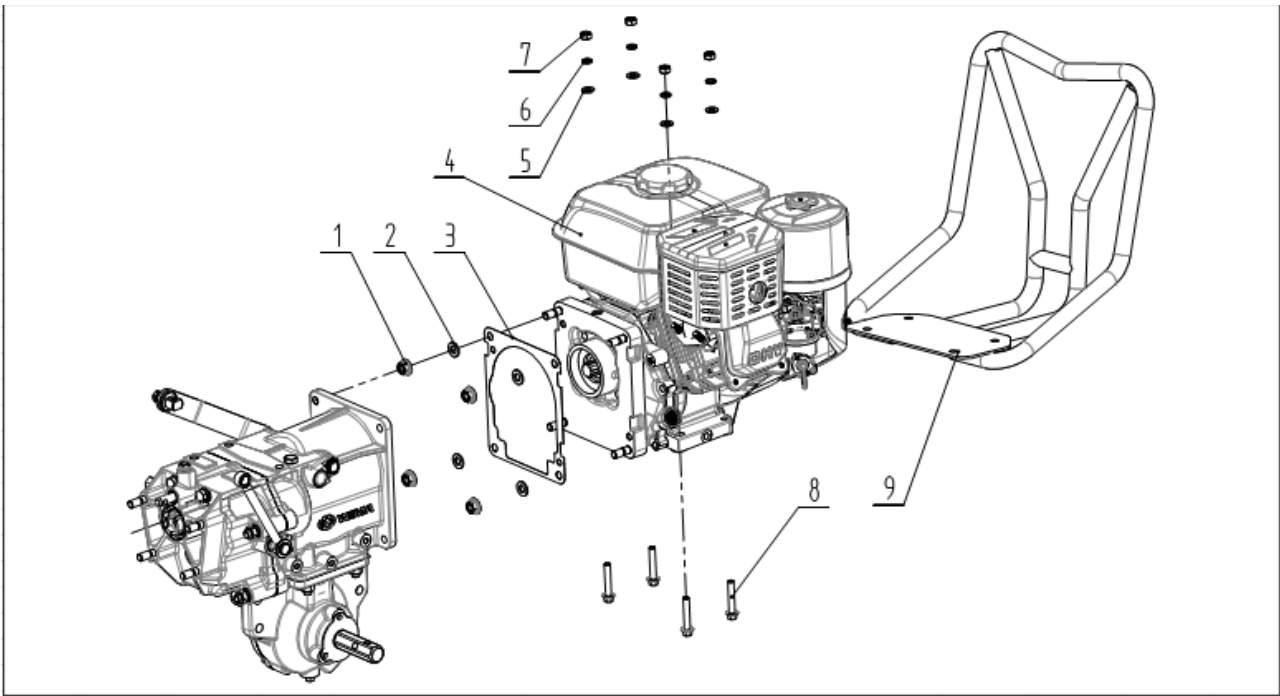


Lp	Kod	Nazwa	Ilość
1	360540007	Equal length double head stud C grade	4
2	360060007	Hexagon slotted nut	1
3	2119000003-0001	Slave bevel gear	1
4	2113600017-0001	Hexagonal output shaft	1
5	2111800002-0001	Output Shaft Oil Seal Pressure Block	2
6	360300207	Hexagonal flange face bolts enlarged series B grade M6×10	6
7	3408800024-0001	Oil seal 25×42×7	4
8	360660013	Flat washers A grade 10	4
9	360620015	Standard spring washers 10	4
10	360010008	Hexagonal nut type 1 M10	4
11	3403900002-0001	Oil drain bolt M12×1.25-12	1
12	360710003	O-ring 10.2×2.65	1
13	2124500003-0005	Traveling box	1
14	360720050	Deep groove ball bearing 6305	1
15	3410800044-0001	Output shaft spacer	1
16	2119100004-0001	Traveling bevel gear	1
17	360660010	Flat washer A grade 8	6
18	360250141	Hexagon head bolts M8×30	6
19	360620008	Standard spring washers 8	6
20	2124700007-0005	End caps	1
21	3400900001-0001	Paper gaskets for end caps	1
22	360750006	Tapered roller bearing 30305	1
23	3417000014-0001	Adjustment spacer 26*36*0.2	1
24	2110000004-0001	Bevel gear shaft	1
25	360750001	Tapered roller bearing 30204	1
26	360750002	Tapered roller bearing 30206	1
27	360620029	Standard spring washers 12	1
28	360560006	Cotter pin 2×25	1
29	3400300004-0001	Carton paper pads	1

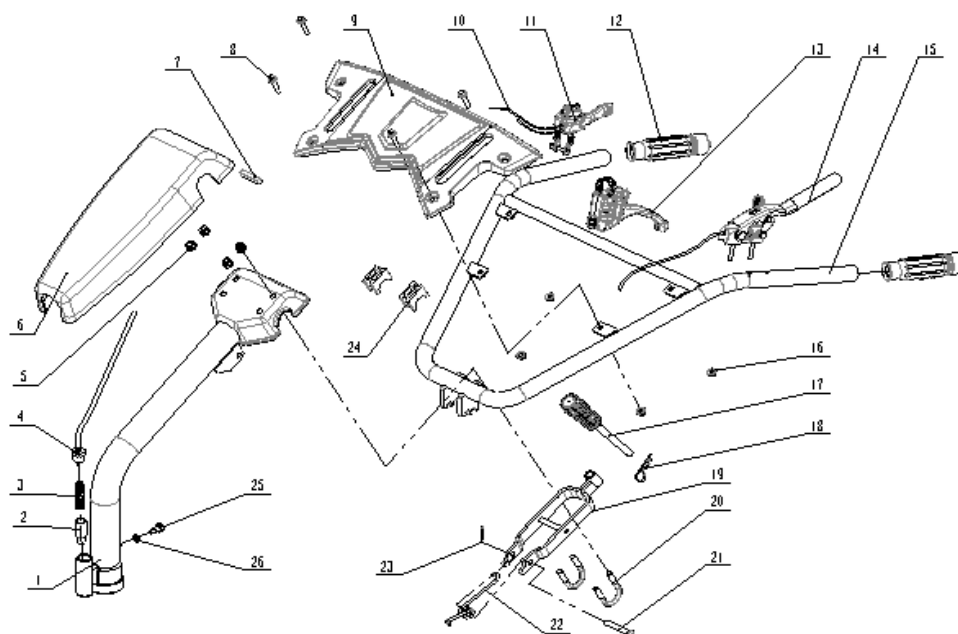


Lp	Ilość	Nazwa	Ilość
1	2124200001-0003	Box cover	1
2	360300007	Hexagonal flange face bolts enlarged series B grade M6×16	5
3	2150600001-0001	Fueling rubber plug	1
4	360910019	Elastic retaining ring for hole 35	1
5	360720029	Deep groove ball bearings 6203-2RS	1
6	2125200001-0001	Clutch pawl	1
7	360590001	Extra large washer 6	1
8	360910021	Elastic retaining ring for hole 40	3
9	3408800001-0001	Oil seal 17×35×7	1
10	360720004	Deep groove ball bearing 6003	1
11	2129800001-0001	Main bevel gear	1
12	3410800038-0001	Bushing 20.5×26×21.5	1
13	3409000007-0001	Oil plug 40×6	2
14	360720025	Deep groove ball bearing 6203	2
15	2100300009-0001	Main sprocket 11 teeth	1
16	2100200016-0001	Chain(520HF3-1-38)	1
17	2141200003-0001	Drive shaft	1
18	3408800025-0001	Oil seal(40×55×10)	2
19	3408800023-0001	Oil seal 25×35×7	4
20	3419500001-0001	Drawn cup needle roller bearing(HK25×32×16)	2
21	360720066	Deep groove ball bearing 61908	2
22	2115500001-0001	Tillage output half shaft	2
23	360720011	Deep groove ball bearing 6005	2
24	2124300001-0005	Rotary plow box	1
25	3416400003-0001	Gasket Ø10	1
26	360290001	Hexagonal flange bolts fine tooth small series M10*1.25*12	1
27	3400900005-0001	Tiller box end cover paper gasket	1
28	2113600012-0001	Tillage output shaft	1
29	360920057	Shaft elastic retaining ring 32	1
30	2121600003-0001	Tillage output sprocket	1
31	3412100047-0001	Washer 25×38×2	1
32	2124800004-0005	Tillage box end cover	1
33	360660010	Flat washers 8	8
34	360620008	Spring washers 8	8
35	360250141	Hexagon head bolts M8×30	8
36	360720019	Deep groove ball bearing 6202	2
37	2120700003-0001	Tillage active tines	2
38	2100300004-0001	Tillage active sprocket	1
39	2100200017-0001	Chain (520HF3-1-18)	1

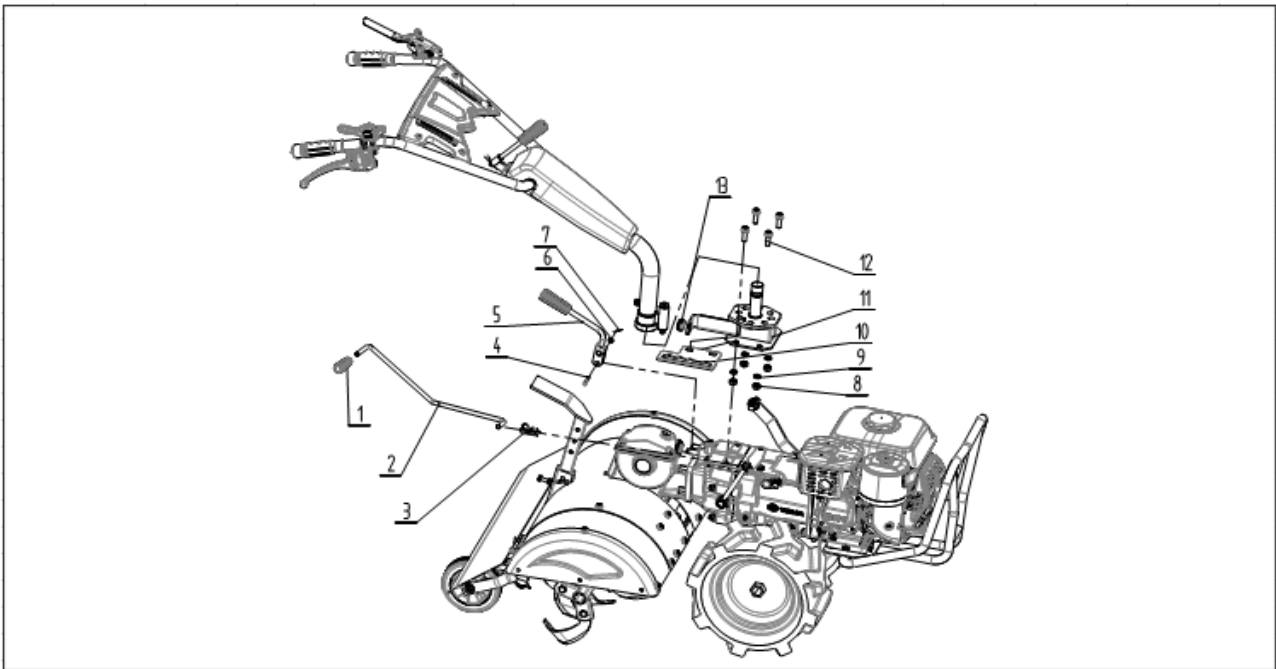
40	2145500001-0001	Tillage drive shaft	1
41	2121500003-0001	Slave sprocket	1
42	3410800074-0001	Spacer 20×25×12	1
43	3400100014-0001	Spacer 32×39.5×0.2	2
44	2110100003-0001	Slave bevel gear	1
45	3407600002-0001	Box cover paper gasket	1



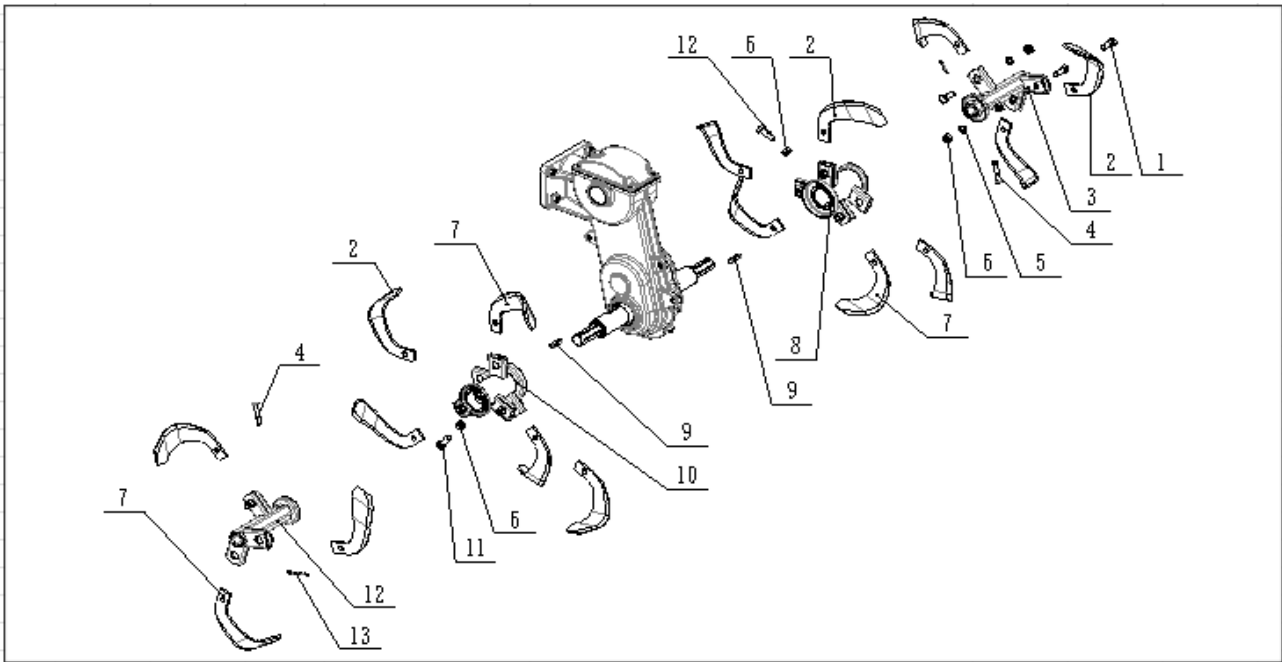
Lp	Ilość	Nazwa	Ilość
1	360040015	Hexagonal flange face nuts M10	4
2	360660013	Flat washers A grade 10	4
3	3401200001-0001	Flange and gearbox paper gasket	1
4	T010330656	WM170F/P-2_Agricultural Power	1
5	360630003	Flat washers grade C 8	4
6	360620008	Standard type spring washers 8	4
7	360010003	Hexagon nuts type 1 M8	4
8	360220163	Hexagonal flange face bolts small series M8x45	4
9	2602900107-0001	Bumper	1



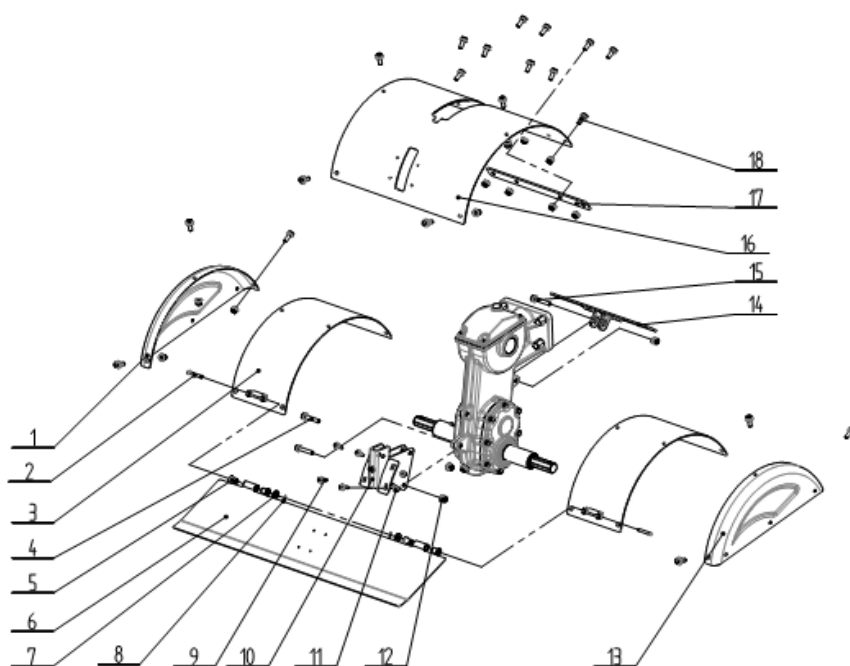
Lp	Kod	Nazwa	Ilość
1	2401500008-0003	MF Riser	1
2	2445100001-0001	Steering Locating Pins	1
3	3406100002-0001	Steering Pressure Spring	1
4	3009100001-0001	Steering Lasso	1
5	360120009	Non-metallic insert hexagonal locknut M8	4
6	2603800005-0020	Armrest Cover	1
7	2404300001-0001	Cover Pressure Strip	1
8	360300005	Hexagonal flange bolts M6x12	4
9	2605400021-0002	Armrest frame cover	1
10	3000200045-0001	Throttle cable	1
11	3022800002-0001	Throttle switch combination	1
12	3000500003-0001	Shock absorbing grip	2
13	3000900010-0001	Steering Clutch Handle	1
14	3010600011-0001	Clutch Handle Assembly	1
15	2402300224-0002	Armrest Frame	1
16	360040008	Hexagonal flange face nut M6	4
17	3003800003-0001	Height adjustment handle B	1
18	3402200004-0002	Circlip B	1
19	3003800004-0001	Height adjusting handle A	1
20	3417200002-0001	U-shaped double-ended screw	2
21	361020032	Pin 8x50	1
22	3404300001-0001	Handrail height adjustment return torsion spring	1
23	360560006	Cotter pin 2.0x25	1
24	2400300001-0001	Handrail support block	2
25	3417800002-0001	Lock bolt M8x18.5	1
26	360620008	Spring washer 8	1



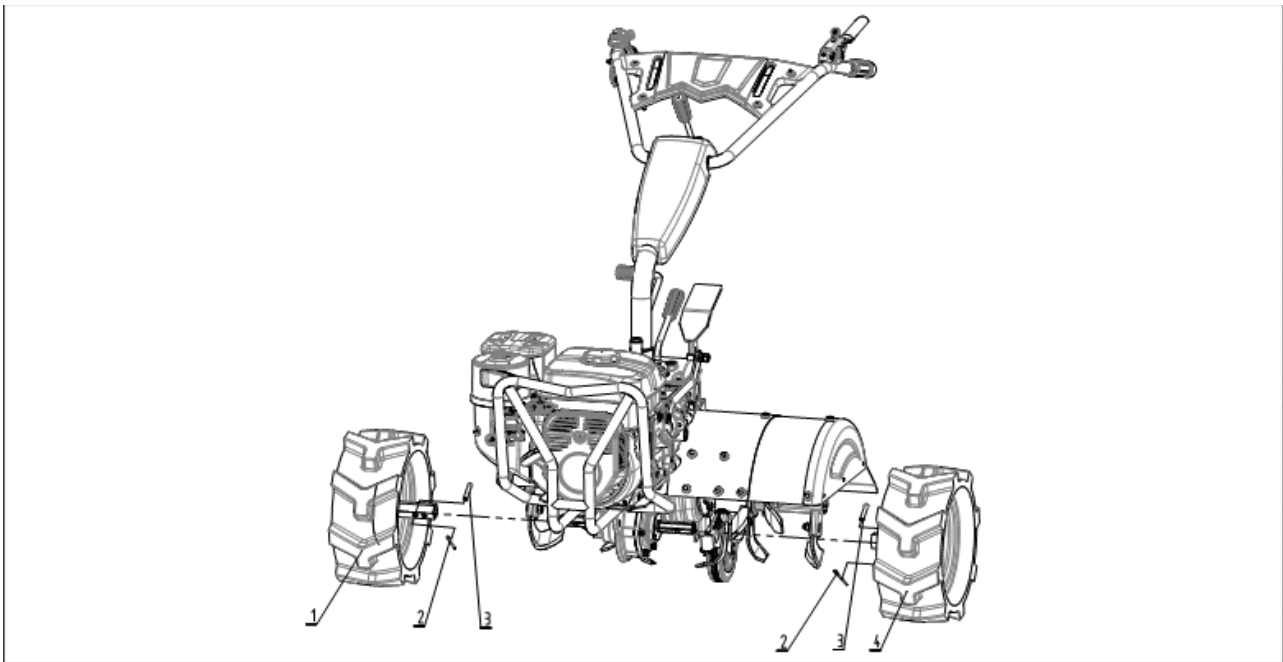
Lp	Kod	Nazwa	Ilość
1	3000500002-0001	Shock Grip 12	1
2	3002600005-0003	Shift lever	1
3	3402200004-0002	Circlip B	2
4	361020078	Pin 6x35	1
5	3008300002-0001	PTO maneuvering handle assembly	1
6	360660004	Flat washer A grade 6	1
7	360560021	Cotter pin 1.6x20	1
8	360010008	Hexagonal nut M10	4
9	360620015	Spring washer 10	4
10	2407900006-0002	Gear indicator bracket	1
11	2427600017-0001	Support seat weldment	1
12	360220154	Hexagonal flange bolts M10x30	4
13	3014000001-0001	Armrest seat wear sleeve	1



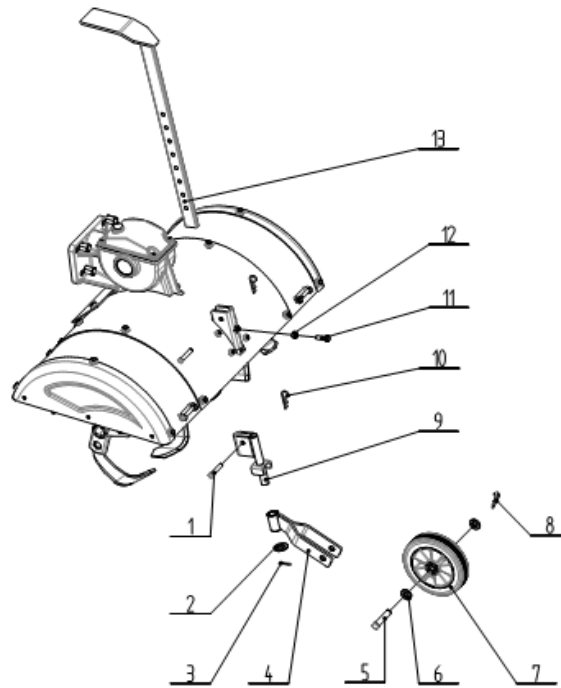
Lp	Ilość	Nazwa	Ilość
1	360070008	Hexagon head bolts full thread M10×25	16
2	2700200004-0001	Rotary plow blade-right	8
3	2712300002-0003	Outer rotary plow blade-right	1
4	360930006	Pin 8×43	2
5	360380001	Standard type spring washer 10	16
6	360010033	Hexagonal nut type 1 M10	18
7	2700200003-0001	Rotary blade - left	8
8	2712200002-0003	Inner rotary plow cylinder-right	1
9	360790004	Flat key 8×7×32	2
10	2712200001-0003	Inner rotary plow cylinder-left	1
11	360070008	Hexagon head bolt M10×30	2
12	2712300002-0003	Outer rotary tiller cartridge-right	1
13	3402200004-0002	Circlip B	2



Lp	Kod	Nazwa	Ilość
1	2605000009-0003	Side fender left	1
2	361020069	Pin 8x55	2
3	2412000001-0003	Side fender connecting plate	2
4	360220043	Hexagonal flange bolts M8x40	2
5	2420800002-0001	Fender spacer	4
6	2602500001-0002	Rear fender	1
7	360660010	Flat washer 8	2
8	360560027	Cotter pin 2x20	2
9	360300043	Hexagonal flange bolts M6x20	4
10	2404200007-0003	Connection bracket	1
11	360180012	Non-metallic insert hexagonal flange lock nut M	4
12	360180013	Non-metallic insert hexagonal flange lock nut M8	23
13	2605000010-0003	Side fender right	1
14	2415200001-0004	Mudguard pressure strip	1
15	360220163	Hexagonal flange bolts M8x45	1
16	2601600115-0002	Main fender	1
17	2412100001-0004	Mudguard connecting strip	1
18	360220040	Hexagonal flange bolts M8x20	20



Lp	Ilość	Nazwa	Ilość
1	2803200176-0001	Traveling wheel assembly right	10
2	3402200004-0002	Circlip B	10
3	361020029	Pin 8x43	2
4	2803200177-0001	Traveling wheel assembly left	2



Lp	Kod	Nazwa	Ilość
1	361020029	Pin 8×43	2
2	360660015	Flat washer 16	1
3	360560015	Cotter pin 2.5×30	1
4	2415600002-0003	Rear wheel connecting bracket	1
5	361020061	Pin 12×60	1
6	360660009	Flat washer 12	2
7	2803100001-0001	Rear wheel	1
8	360560027	Cotter pin 2×20	1
9	2805000002-0003	Rear wheel support bracket	1
10	3402200004-0002	Circlip B	2
11	360250028	Full-threaded hexagonal bolt M8×25	1
12	360010003	Hexagonal nut M8	1
13	2401300012-0003	Resistance bar	1