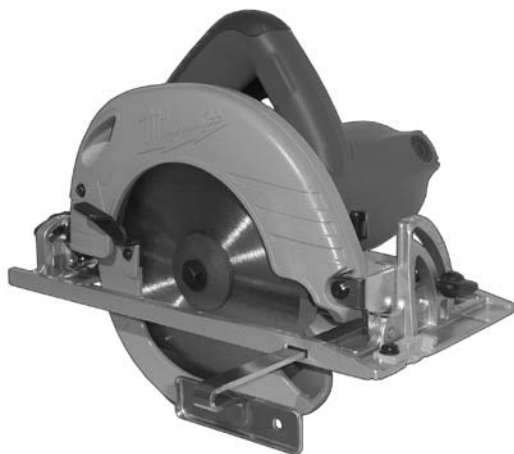


**Milwaukee®**

**HEAVY-DUTY  
ELECTRIC TOOLS**

NOTHING BUT  
**HEAVY  
DUTY**  
MILWAUKEE

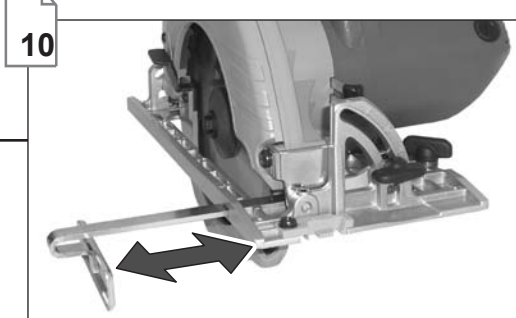
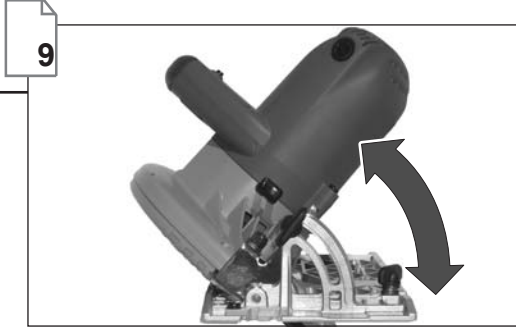
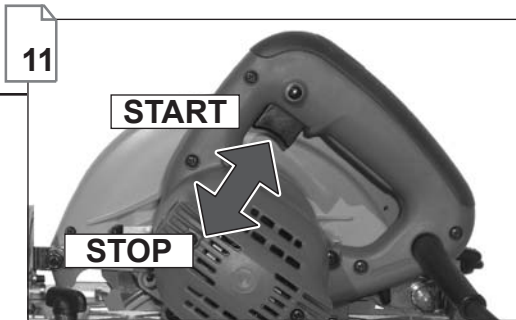
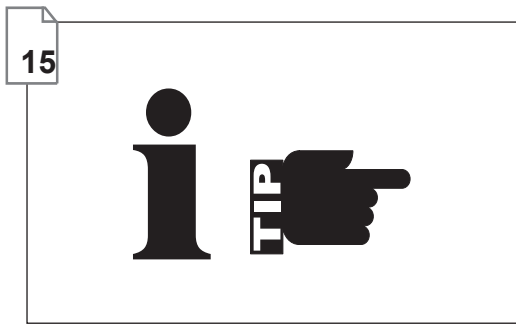
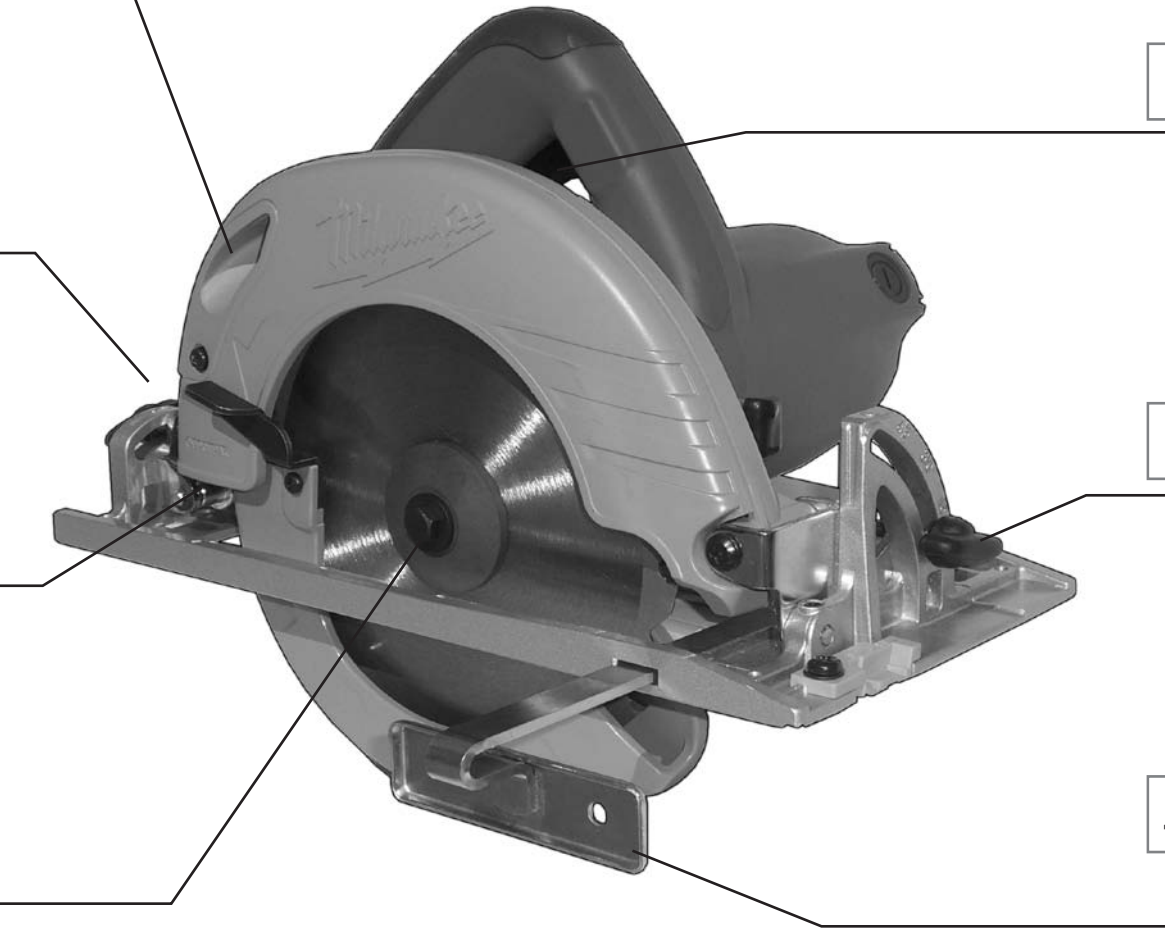
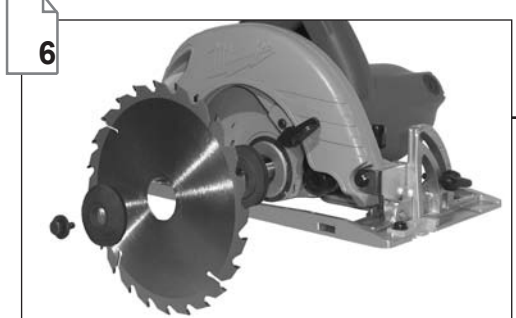
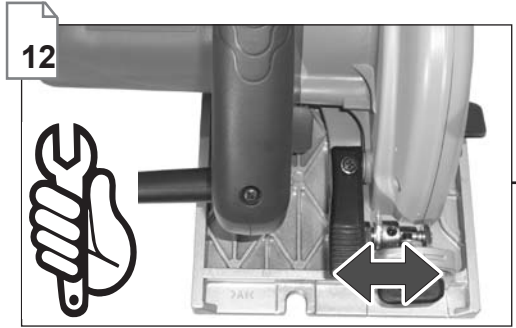
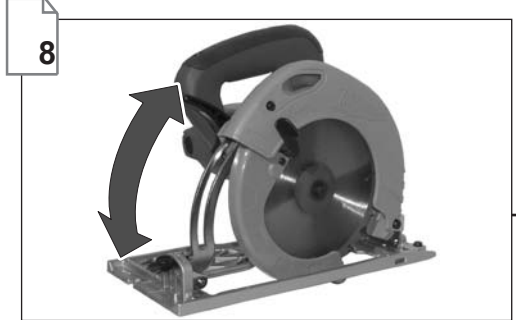
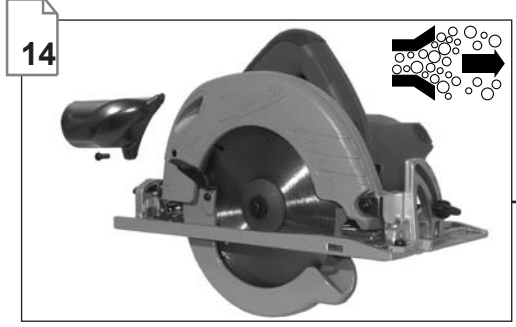
**CS 55**

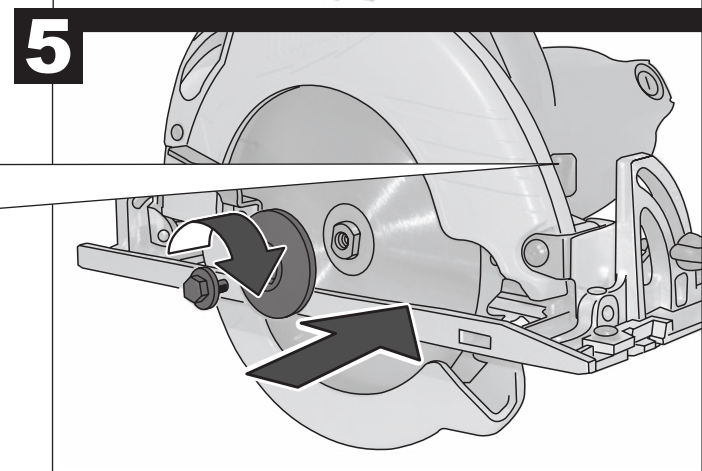
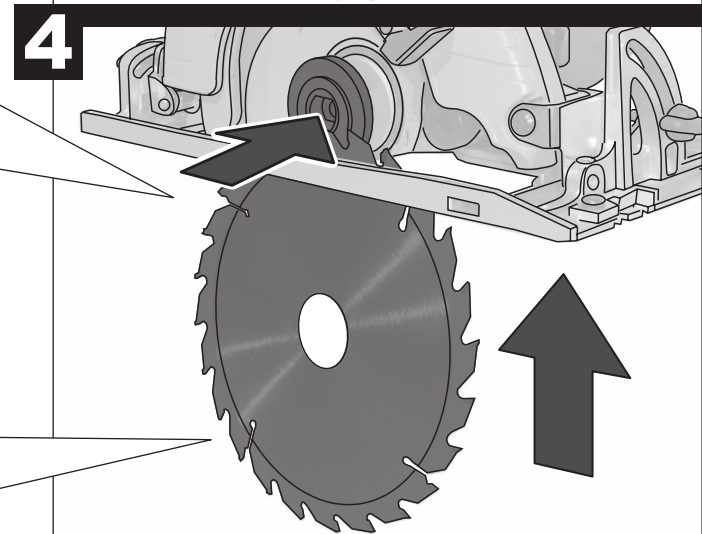
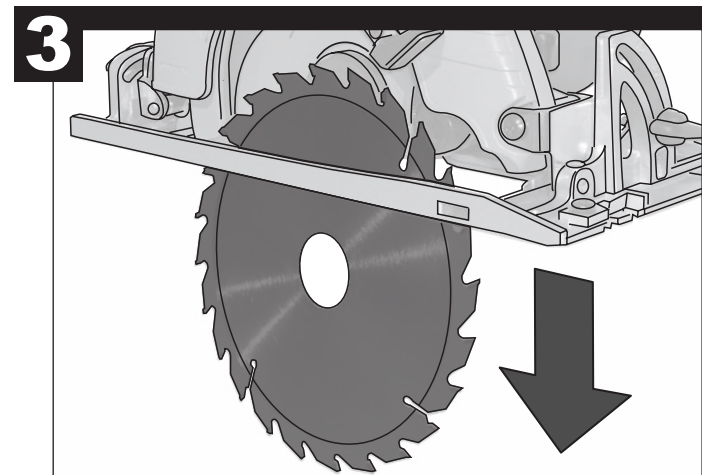
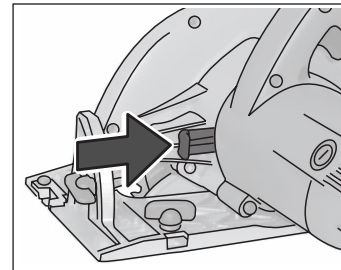
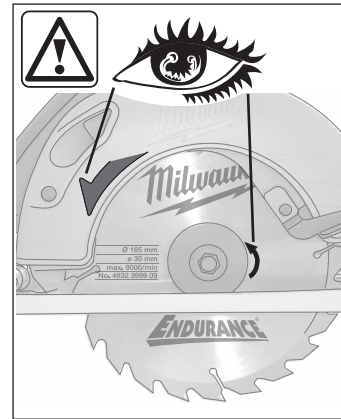
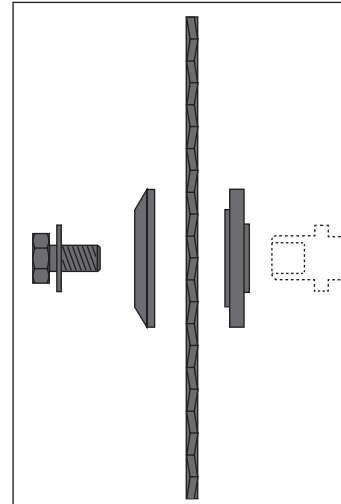
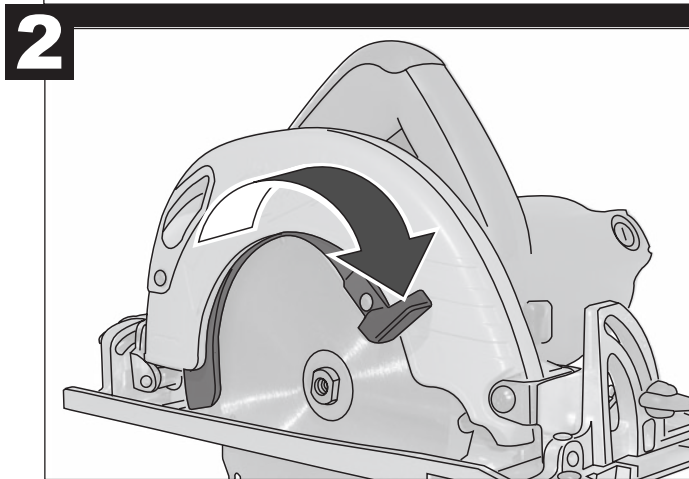
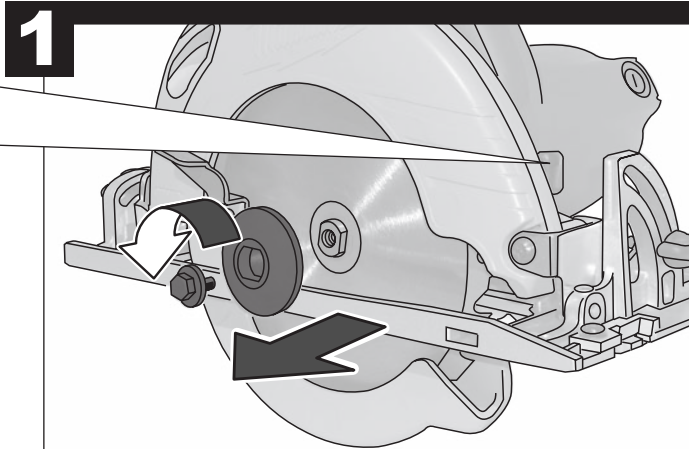
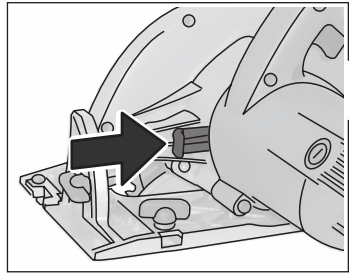
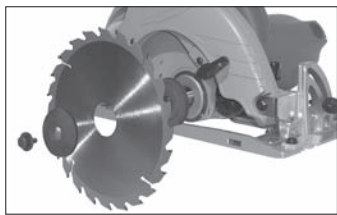


Original instructions  
Originalbetriebsanleitung  
Notice originale  
Istruzioni originali  
Manual original  
Manual original  
Oorspronkelijke  
gebruiksaanwijzing  
Original brugsanvisning  
Original bruksanvisning  
Bruksanvisning i original  
Alkuperäiset ohjeet  
Πρωτότυπο οδηγιών χρήσης  
Orijinal işletme talimatı  
Původním návodem k používání

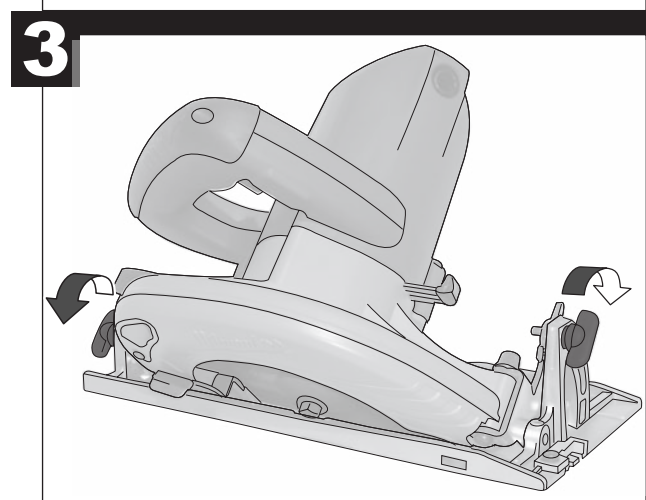
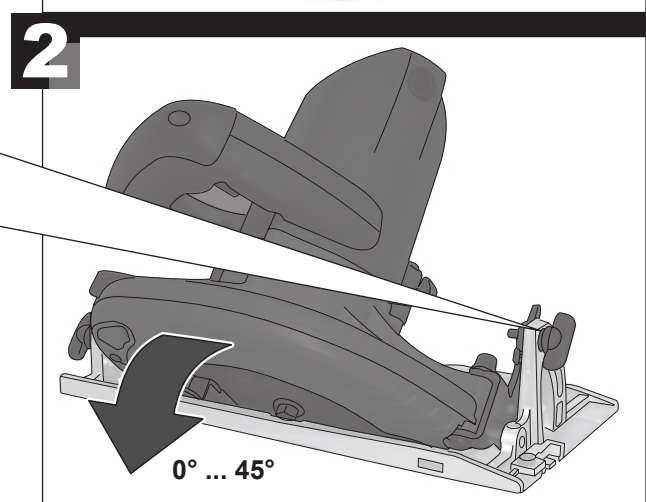
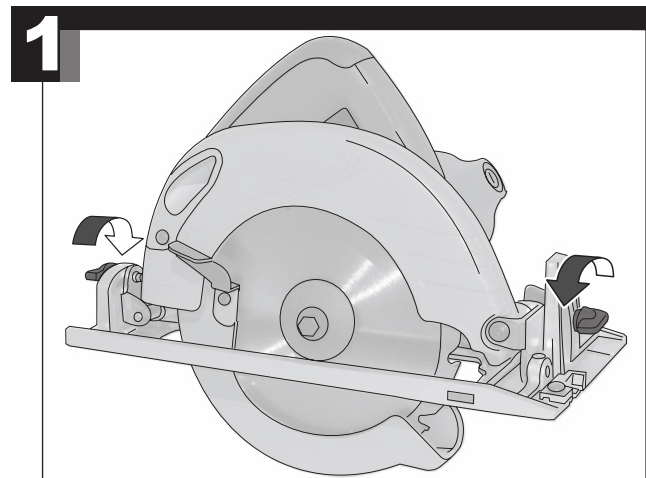
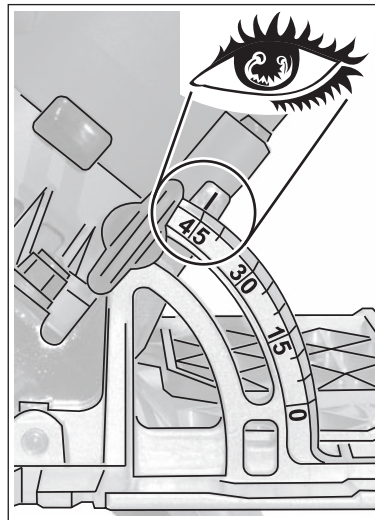
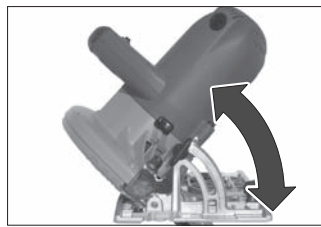
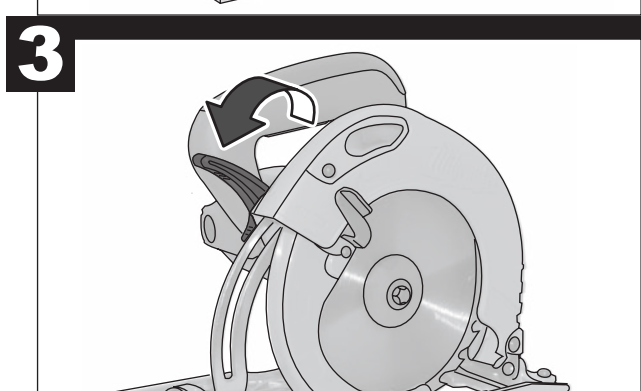
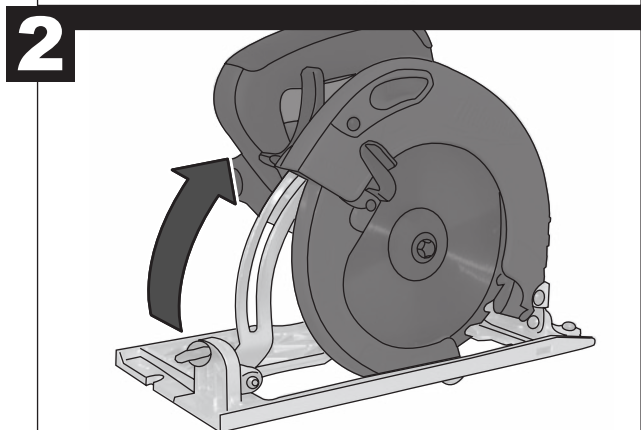
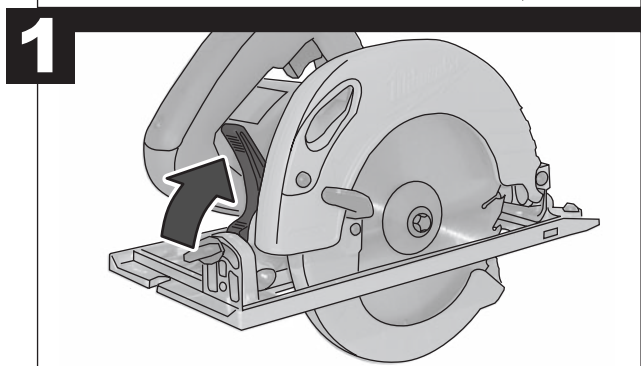
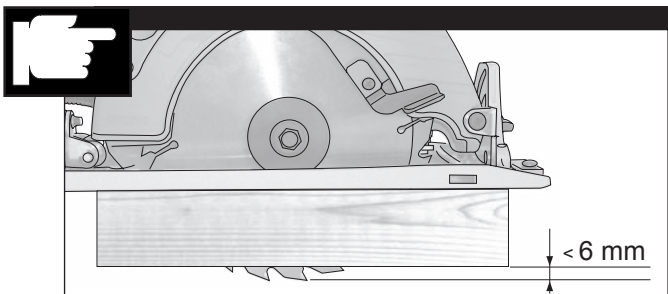
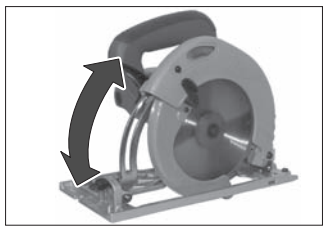
Pôvodný návod na použitie  
Instrukcja oryginalna  
Eredeti használati utasítás  
Izvirna navodila  
Originalne pogonske upute  
Instrukcijām oriģinālvalodā  
Originali instrukcija  
Algupärane kasutusjuhend  
Оригинальное руководство по  
эксплуатации  
Оригинално ръководство за  
експлоатация  
Instrucțiuni de folosire originale  
Оригинален прирачник за работа  
原始的指南

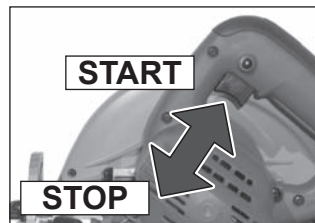
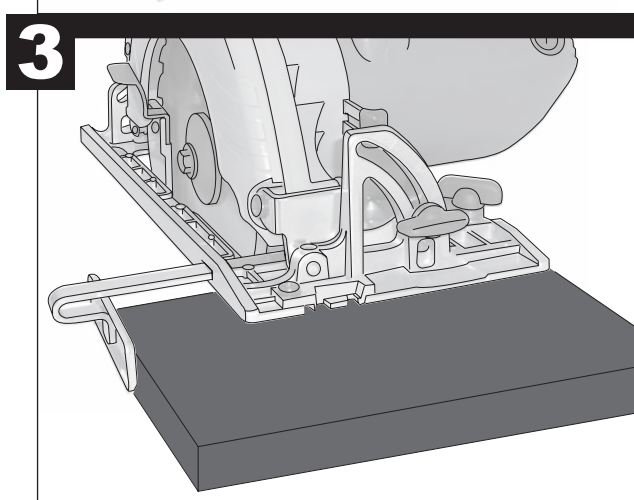
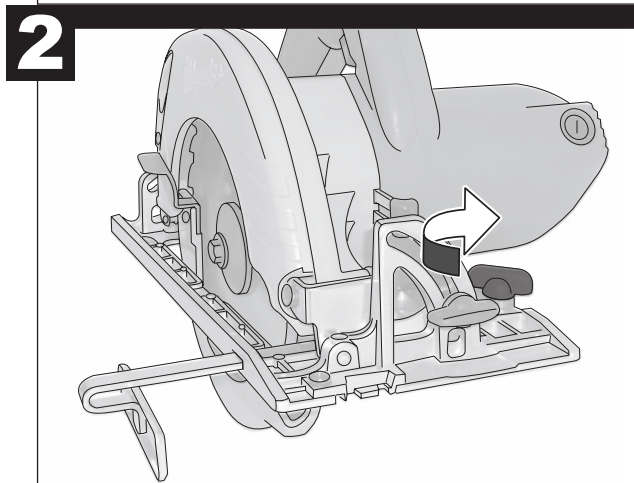
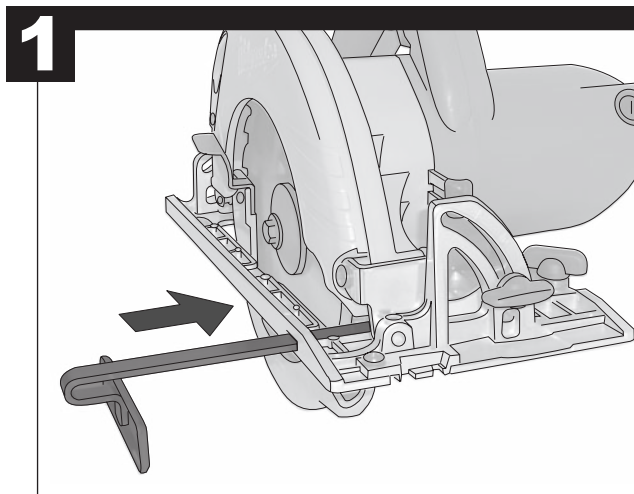
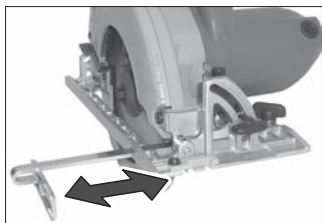
Technical Data, Safety Instructions, Specified Conditions of Use, EC-Declaration of Conformity, Mains connection, Maintenance, Symbols	Please read and save these instructions!	<b>ENGLISH</b>	<b>18</b>
Technische Daten, Sicherheitshinweise, Bestimmungsgemäße Verwendung, CE-Konformitätserklärung, Netzanschluss, Wartung, Symbole	Bitte lesen und aufbewahren!	<b>DEUTSCH</b>	<b>20</b>
Caractéristiques techniques, Instructions de sécurité, Utilisation conforme aux prescriptions, Déclaration CE de Conformité, Branchement secteur, Entretien, Symboles	Prrière de lire et de conserver!	<b>FRANÇAIS</b>	<b>22</b>
Dati tecnici, Norme di sicurezza, Utilizzo conforme, Dichiarazione di Conformità CE, Collegamento alla rete, Manutenzione, Simboli	Si prega di leggere le istruzioni e di conservarle!	<b>ITALIANO</b>	<b>24</b>
Datos técnicos, Instrucciones de seguridad, Aplicación de acuerdo a la finalidad, Declaración de Conformidad CE, Conexión eléctrica, Mantenimiento, Símbolos	Lea y conserve estas instrucciones por favor!	<b>ESPAÑOL</b>	<b>26</b>
Características técnicas, Instruções de segurança, Utilização autorizada, Declaração de Conformidade CE, Ligaçao à rede, Manutenção, Símbolo	Por favor leia e conserve em seu poder!	<b>PORTUGUES</b>	<b>28</b>
Technische gegevens, Veiligheidsadviezen, Voorgeschreven gebruik van het systeem, EC-Konformiteitsverklaring, Netaansluiting, Onderhoud, Symbolen	Lees en let goed op deze adviezen!	<b>NEDERLANDS</b>	<b>30</b>
Tekniske data, Sikkerhedshenvisninger, Tiltænkt formål, CE-Konformitetserklæring, Nettetilslutning, Vedligeholdelse, Symboler	Vær venlig at læse og opbevare!	<b>DANSK</b>	<b>32</b>
Tekniske data, Spesielle sikkerhetshenvisninger, Formålmessig bruk, CE-Samsvarserklæring, Nettetilkopling, Vedlikehold, Symboler	Vennligst les og oppbevar!	<b>NORSK</b>	<b>34</b>
Tekniska data, Säkerhetsutrustning, Använd maskinen Enligt anvisningarna, CE-Försäkran, Nätanslutning, Skötsel, Symboler	Var god läs och tag tillvara dessa instruktioner!	<b>SVENSKA</b>	<b>36</b>
Tekniset arvot, Turvallisuusohjeet, Tarkoituksenmukainen käyttö, Todistus CE-standardinmukaisuudesta, Verkkoiliitäntä, Huolto, Symbolit	Lue ja säilytä!	<b>SUOMI</b>	<b>38</b>
Τεχνικά στοιχεία, Ειδικά υποδείξεις ασφαλείας, Χρήση σύμφωνα με το σκοπο προορισμού, Δήλωση πιστοποίησης εκ, Συνδεδση στο ηλεκτρικό δίκτυο, Συντήρηση, Συμβόλα	Παρακαλώ διαβάστε τις και φυλάξτε τις!	<b>ΕΛΛΗΝΙΚΑ</b>	<b>40</b>
Teknik veriler, Güveniğiniz için talimatlar, Kullanım, CE uygunluk beyanince, Şebeke bağlantısı, Bakım, Semboller	Lütfen okuyun ve saklayın	<b>TÜRKÇE</b>	<b>42</b>
Technická data, Speciální bezpečnostní upozornění, Oblast využití, Ce-prohlášení o shodě, Připojení na síť, Udržba, Symboly	Po přečtení uschovejte	<b>ČESKY</b>	<b>44</b>
Technické údaje, Speciálne bezpečnostné pokyny, Použitie podľa predpisov, CE-Vyhlasenie konformity, Sieťová prípojka, Udržba, Symboly	Prosím prečítať a uschovať!	<b>SLOVENSKY</b>	<b>46</b>
Dane techniczne, Specjalne zalecenia dotyczace bezpieczerstwa, Uzytkowanie zgodne z przeznaczeniem, Swiadectwo zgodnosci ce, Podlaczenie do sieci, Gwarancja, Symboly	Prosimy o uwazne przeczytanie i przestrzeganie zaleceń zamie szczonych w tej instrukcji.	<b>POLSKI</b>	<b>48</b>
Műszaki adatok, Különleges biztonsági tudnivalók, Rendeltetésszerű használat, Ce-azonossági nyilatkozat, Hálózati csatlakoztatás, Karbantartás, Szimbólumok	Olvassa el és őrizze meg	<b>MAGYAR</b>	<b>50</b>
Tehnični podatki, Specialni varnostni napotki, Uporaba v skladu z namembnostjo, Ce-izjava o konformnosti, Omrežni priključek, Vzdrževanje, Simboli	Prosimo preberite in shranite!	<b>SLOVENSKO</b>	<b>52</b>
Tehnički podaci, Specijalne sigurnosne upute, Propisna upotreba, CE-Izjava konformnosti, Priključak na mrežu, Održavanje, Simboli	Molimo pročitati i sačuvati!	<b>HRVATSKI</b>	<b>54</b>
Tehniskie dati, Speciālie drošības noteikumi, Noteikumiem atbilstošs izmantojums, Atbilstība CE normām, Tīkla pieslēgums, Apkope, Simboli	Pielikums lietošanas pamācībai	<b>LATVISKI</b>	<b>56</b>
Techniniai duomenys, Ypatingos saugumo nuorodos, Naudojimas pagal paskirtį, CE Atitikties pareiškimas, Elektros tinklo jungtis, Techninis aptarnavimas, Simboliai	Prašome perskaityti ir neišmesti!	<b>LIETUVIŠKAI</b>	<b>58</b>
Tehnilised andmed, Spetsiaalsed turvajuhised, Kasutamise vastavalt otstarbele, EU Vastavusavaldus, Võrku ühendamine, Hooldus, Sümbolid	Palun lugege läbi ja hoidke alal!	<b>EESTI</b>	<b>60</b>
Технические данные, Рекомендации по технике безопасности, Использо- вание, Подключение к электросети, Обслуживание, Символы	Пожалуйста, прочтите и сохраните настоящую! инструкцию	<b>РУССКИЙ</b>	<b>62</b>
Технически данни, Специални указания за безопасност, Използване по предназначение, CE-Декларация за съответствие, Свързване към мрежата, Поддръжка, Символи	Моля прочетете и запазете!	<b>БЪЛГАРСКИ</b>	<b>64</b>
Date tehnice, Instrucțiuni de securitate, Condiții de utilizare specificate, Declarație de conformitate, Alimentare de la rețea, Intreținere, Simboluri	Va rugăm citiți și păstrați aceste instrucțiuni	<b>ROMÂNIA</b>	<b>66</b>
技术数据, 特殊安全指示, 正确地使用机器, 欧洲安全规定说明, 电源插头, 维修, 符号	请仔细阅读并妥善保存!	<b>中文</b>	<b>68</b>











The motor brake prevents the disk from running on after being switched off.

Die Motorbremse verhindert ein Nachlaufen des Sägeblattes nach dem Ausschalten.

Le frein moteur empêche que la lame de scie poursuive sa course après la déconnexion.

Il freno motore impedisce che la lama della sega continui a girare dopo la disattivazione.

El freno del motor evita la marcha posterior de la hoja de sierra después de la desconexión.

O travão do motor evita a marcha por inércia da folha de serra após o desligamento.

De motorrem voorkomt dat het zaagblad na het uitschakelen nog doorloopt.

Motorbremen forhindrer, at savklingen roterer videre efter slukning.

Motorsagen forhindrer at sagbladet beveger seg etter at maskinen er slått av.

Motorbromsen förhindrar att sågbladet fortsätter gå efter det att sågen har stängts av.

Mootorijarru estää sahanterän jälkikäynnin koneen sammuttamisen jälkeen.

Η πέδη του κινητήρα εμποδίζει την περαιτέρω κίνηση της λάμας του πριονιού μετά την απενεργοποίηση.

Motorlu fren, testere kapatıldıktan sonra sonradan dönmesini engeller.

Motorová brzda zabraňuje dobeh pilového listu po vypnutí.

Motorová brzda zabraňuje dobehu pilového listu po vypnutí.

Hamulec silnikowy zapobiega dalszemu obracaniu się piły po jej wyłączeniu.

A motorfék megakadályozza a fűrészlap utánjárását a leállítás után.

Zavora motorja preprečuje prosti tek žaginega lista po izklopu.

Kočnica motora sprječava naknadni slobodan rad lista pile poslije isključivanja.

Pēc ierīces izslēgšanas, motorizētā bremze pilnībā aptur asmens griešanos.

Išjungus prietaisā variklis stabdīs visiškai sustabdo ašmens sukimąsi.

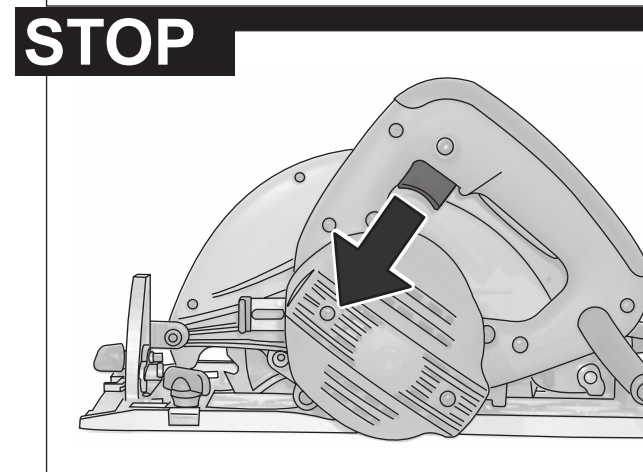
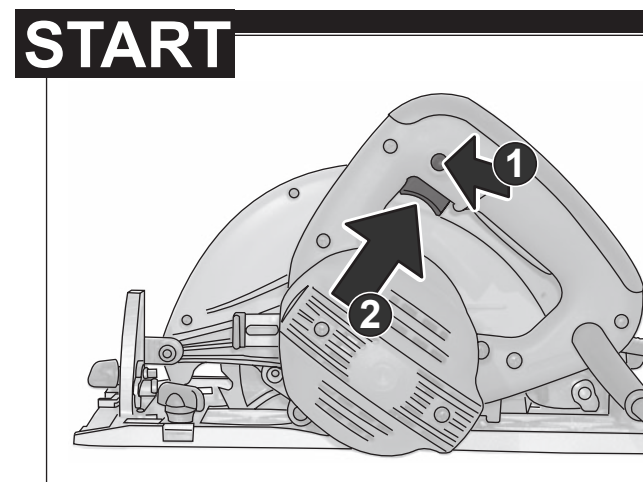
Mootori pidur takistab saelehe edasi liikumist pärast väljalülitamist.

Тормоз двигателя предотвращает выдер пильного диска после выключения.

Спирачката на двигателя предотвратява въртене на режещия лист след изключването.

Frâna de motor împiedică ca pâna de circular să continue să meargă după oprire.

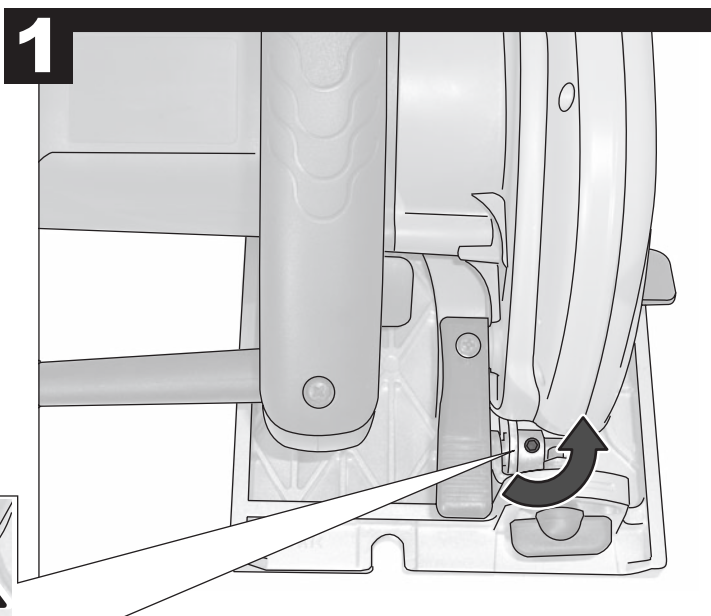
断开后，电动机制动器妨碍锯片的空转。



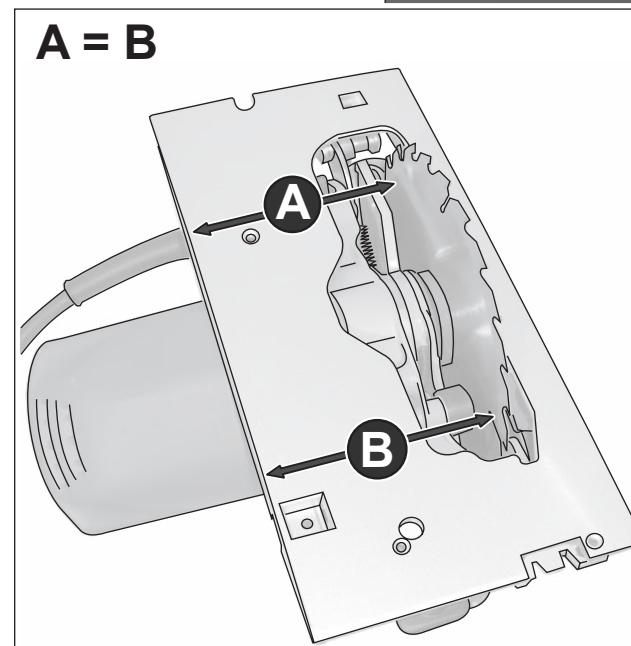
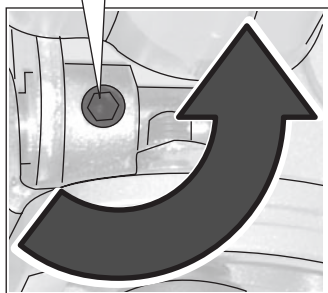


Parallel correction  
(saw blade / guide plate edge)  
Parallelkorrektur  
(Sägeblatt/Führungsplattenkante)  
Correction parallèle  
(lame de scie / bord de la plaque de guidage)  
Correzione parallela  
(lama di sega/bordo lastra di guida)  
Corrección paralela  
(segueta / canto placa guía)  
Correcção paralela  
(folha de serra/bordo da placa de guia)  
Parallelcorrectie  
(zaagblad/geleideplaatkant)  
Parallelkorrektur  
(savklinge/styrepladekant)  
Parallellkorrektur  
(sagblad/styreplatekant)  
Parallellkorrigerung  
(sågblad/styrplattans kant)  
Rinnastettävissa oikaisuun  
(sahanterä / ohjainlevyn reuna)  
Παράλληλη διόρθωση  
(πριονολάμα/ακμή πλάκας οδήγησης)  
Paralel düzeltme  
(Testere bıçağı/Kılavuz levha kenarı)  
Nastavení rovnoběžnosti  
(Pilový plátek / hrana vodičí desky)  
Korektúra rovnobežnosti  
(pílový list/hrana vodiacej platne)

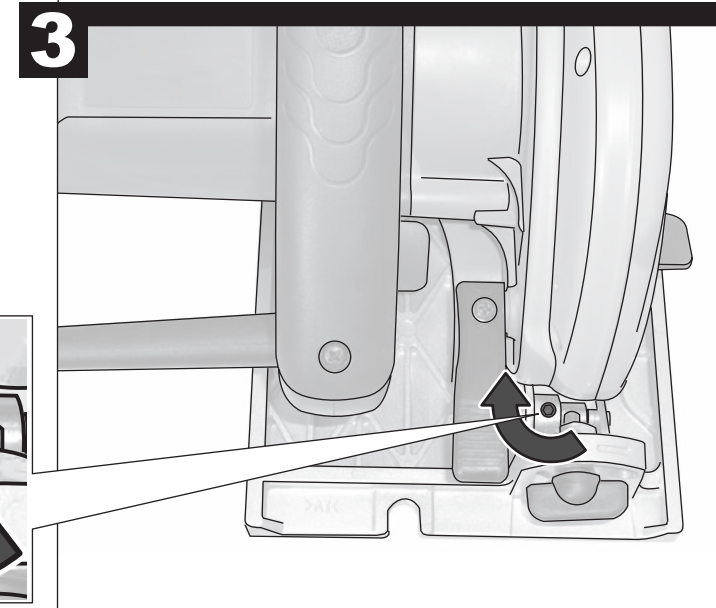
Korekcja równoległa  
(brzeszczot / krawędź płytki prowadzącej)  
Párhuzamos korrekció  
(fűrészlap / vezetőlap éle)  
Paralelna korektura  
(žagin list/rob vodične plošče)  
Paralelna korektura  
(list pile/rub vodeče ploče)  
Paralēlā korekcija  
(zāga rīpa / atbalsta plāksnes kante)  
Lygiagretumo pataisa  
(pjūklas/kreipiamosios kraštas)  
Paralleelne parandus  
(saeleht / juhtplaadi kant)  
Параллельная коррекция  
(лезвие пилы / направляющая шина)  
Паралелна корекција  
(режеч диск/кант на водещите плочи)  
Corecție paralelă  
(lamă ferăstrau / muchie placă de ghidare)  
Паралелно корегирање  
(сечило на пила/ ивица на водечка површина)  
平行校正 (锯刀片/ 导引板边缘)



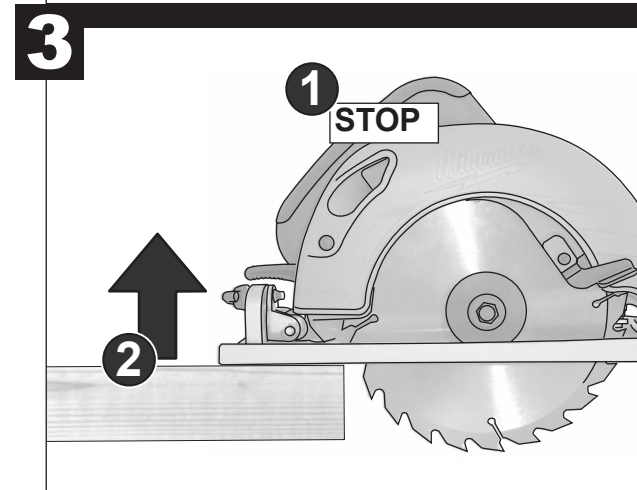
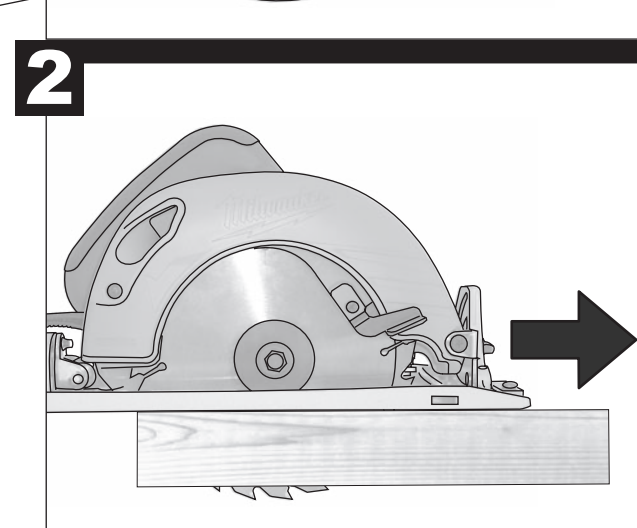
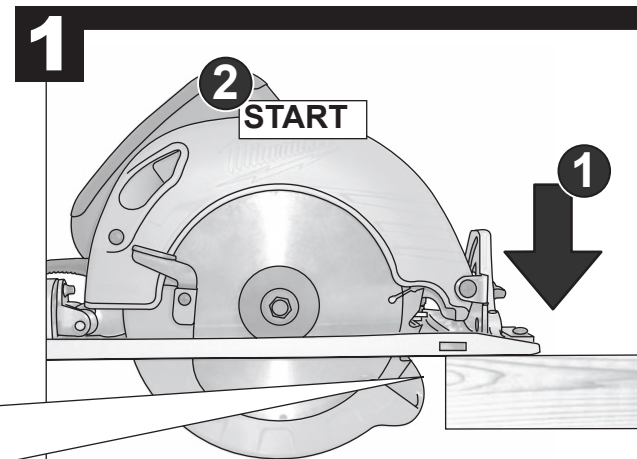
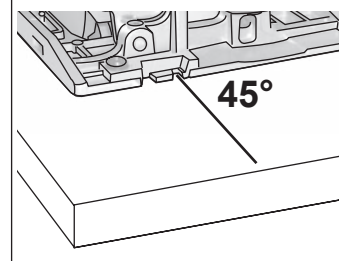
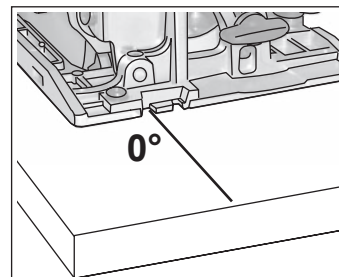
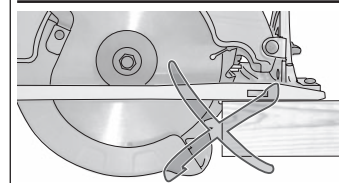
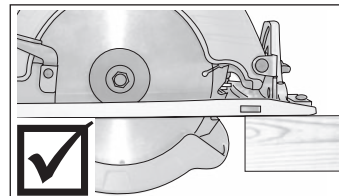
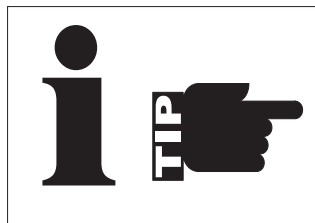
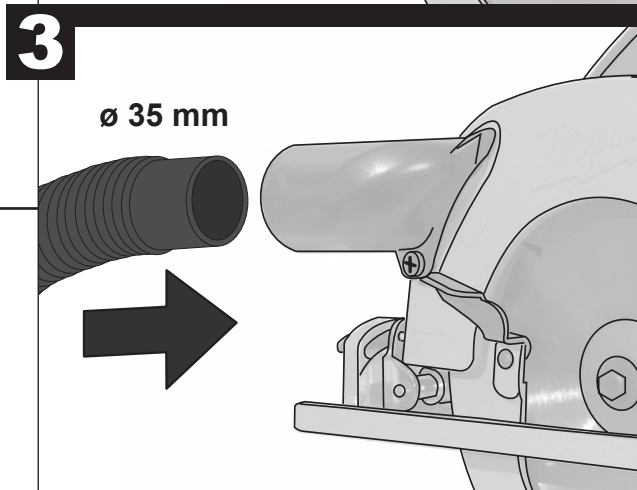
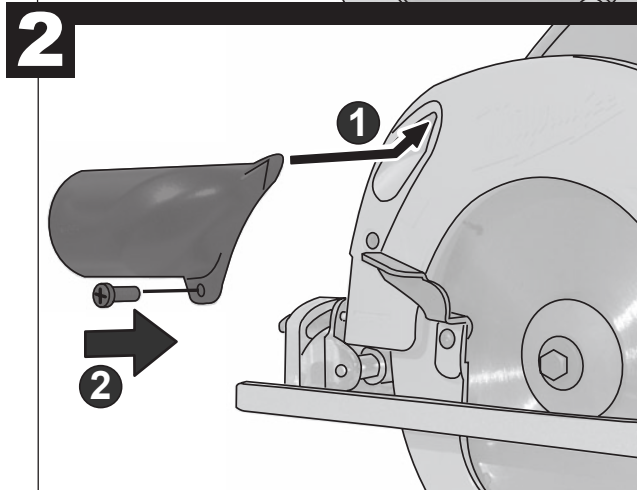
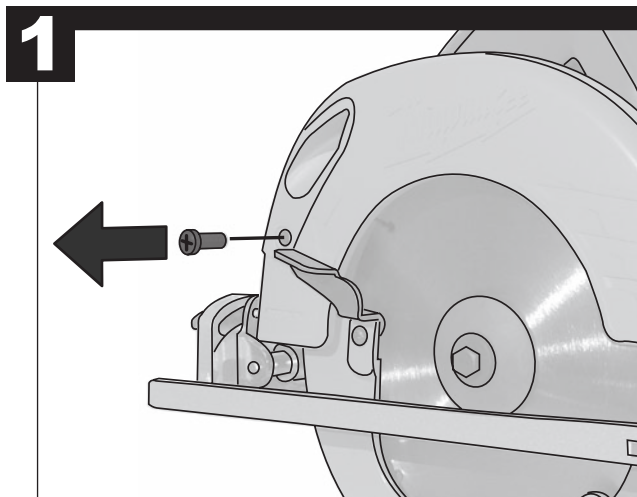
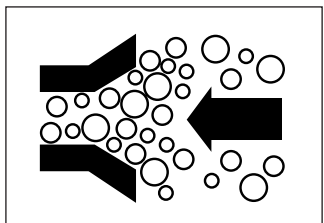
2,5 mm



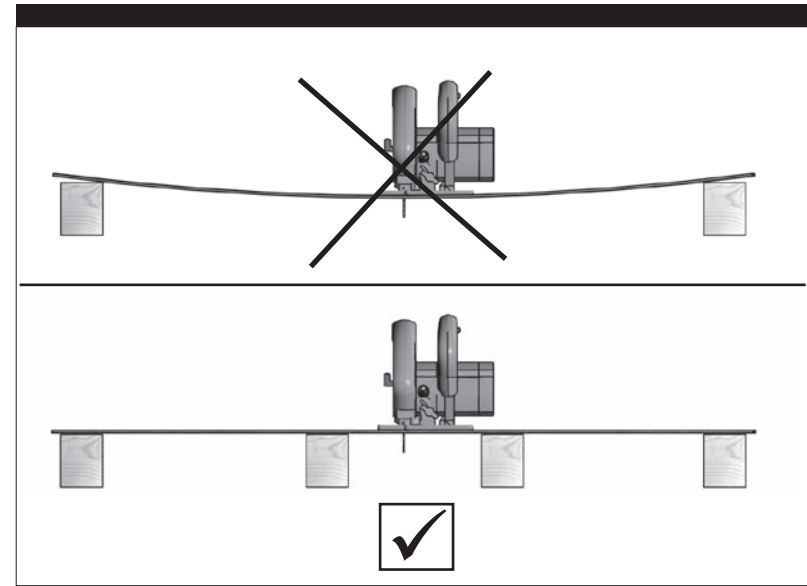
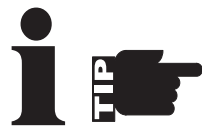
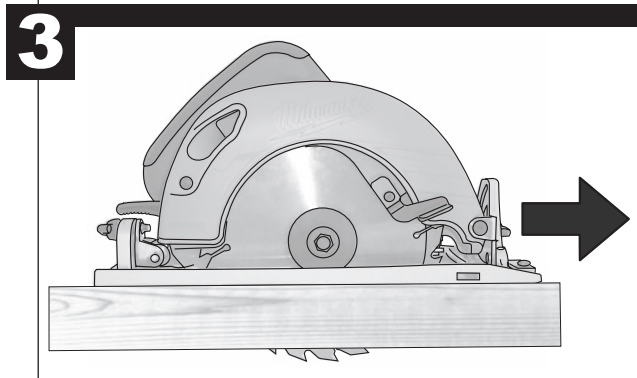
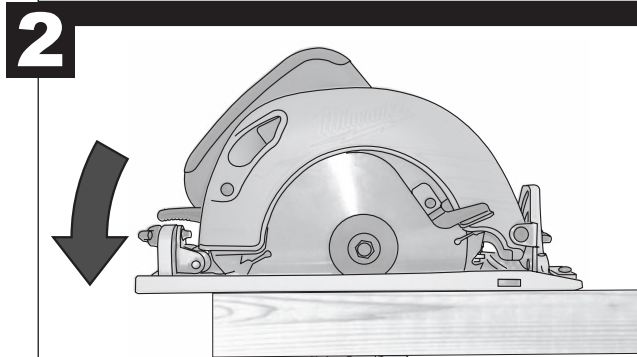
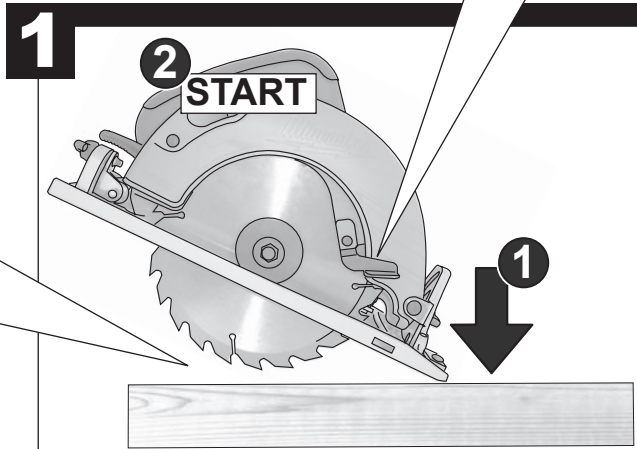
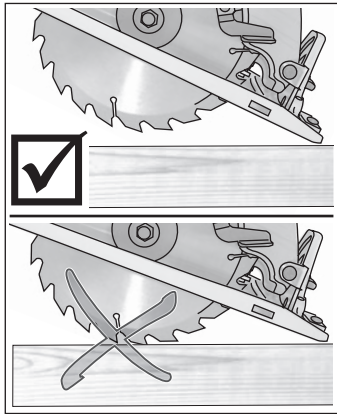
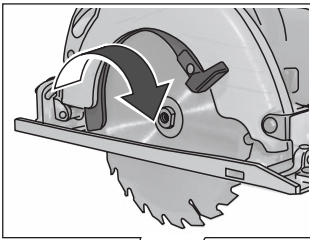
2,5 mm



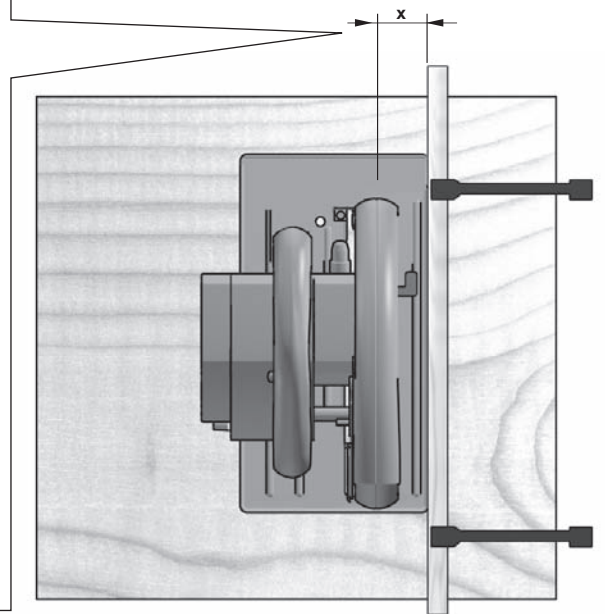








x  
 Carry out a test cut  
 Probeschnitt durchführen  
 Effectuer une coupe d'essai  
 Effettuare un taglio di prova  
 Efectuar corte de prueba  
 Efectuar experiencias de corte  
 Proefsnede maken  
 Foretages et prøvesnit  
 Foreta prøvekutt  
 Gör ett provsnitt!  
 Πραγματοποιήστε μία δοκιμαστική τομή  
 Deneme kesmesi yapın  
 Provedte zkušební řez.  
 Vykonať skúšobný rez.  
 Wykonać próbę cięcia  
 Végezzen teszváágást  
 Opravite preizkusni rez!  
 Izvesti probno rezanje  
 Jáveic izmēģinājuma griezum!  
 Atlikite bandomajį pjūvį!  
 Teha proovilõige!  
 Выполните пробный проход  
 Направете пробно рязане!  
 Efectuați un test de tăiere  
 Да се направи пробно сечење



## TECHNICAL DATA

Rated input .....	1050 W
No-load speed .....	5100 min <sup>-1</sup>
Saw blade dia. x hole dia. ....	165 x 30 mm
Cutting depth max. at 90° .....	56 mm
Cutting depth max. at 45° .....	37 mm
Weight without cable .....	3,7 kg

### Noise/vibration information

Measured values determined according to EN 60 745.

Typically, the A-weighted noise levels of the tool are:

Sound power level (K=3dB(A)) .....	95 dB(A)
Sound pressure level (K=3dB(A)) .....	106 dB(A)

### Wear ear protectors!

Total vibration values (vector sum in the three axes) determined according to EN 60745.

Vibration emission value a <sub>h</sub> .....	< 2,5 m/s <sup>2</sup>
Uncertainty K.....	1,5 m/s <sup>2</sup>

## WARNING

The vibration emission level given in this information sheet has been measured in accordance with a standardised test given in EN 60745 and may be used to compare one tool with another. It may be used for a preliminary assessment of exposure.

The declared vibration emission level represents the main applications of the tool. However if the tool is used for different applications, with different accessories or poorly maintained, the vibration emission may differ. This may significantly increase the exposure level over the total working period.

An estimation of the level of exposure to vibration should also take into account the times when the tool is switched off or when it is running but not actually doing the job. This may significantly reduce the exposure level over the total working period.

Identify additional safety measures to protect the operator from the effects of vibration such as: maintain the tool and the accessories, keep the hands warm, organisation of work patterns.

**⚠ WARNING! Read all safety warnings and all instructions, including those given in the accompanying brochure.** Failure to follow the warnings and instructions may result in electric shock, fire and/or serious injury.  
**Save all warnings and instructions for future reference.**

## SAFETY INSTRUCTIONS

**⚠ Danger: Keep hands away from cutting area and the blade. Keep your second hand on auxiliary handle, or motor housing.** If both hands are holding the saw, they cannot be cut by the blade.

**Do not reach underneath the workpiece.** The guard cannot protect you from the blade below the workpiece.

**Adjust the cutting depth to the thickness of the workpiece.** Less than a full tooth of the blade teeth should be visible below the workpiece.

**Never hold piece being cut in your hands or across your leg. Secure the workpiece to a stable platform.** It is important to support the work properly to minimize body exposure, blade binding, or loss of control.

**Hold power tool by insulated gripping surfaces, when performing an operation where the cutting tool may contact hidden wiring or its own cord.** Contact with a "live" wire will also make exposed metal parts of the power tool "live" and shock the operator.

**When ripping always use a rip fence or straight edge guide.** This improves the accuracy of cut and reduces the chance of blade binding.

**Always use blades with correct size and shape (diamond versus round) of arbour holes.** Blades that do not match the mounting hardware of the saw will run eccentrically, causing loss of control.

**Never use damaged or incorrect blade washers or bolt.** The blade washers and bolt were specially designed for your saw, for optimum performance and safety of operation.

Causes and operator prevention of kickback:

- kickback is a sudden reaction to a pinched, bound or misaligned saw blade, causing an uncontrolled saw to lift up and out of the workpiece toward the operator;
- when the blade is pinched or bound tightly by the kerf closing down, the blade stalls and the motor reaction drives the unit rapidly back toward the operator;
- if the blade becomes twisted or misaligned in the cut, the teeth at the back edge of the blade can dig into the top surface of the

wood causing the blade to climb out of the kerf and jump back toward the operator.

Kickback is the result of saw misuse and/or incorrect operating procedures or conditions and can be avoided by taking proper precautions as given below.

**Maintain a firm grip with both hands on the saw and position your arms to resist kickback forces. Position your body to either side of the blade, but not in line with the blade.** Kickback could cause the saw to jump backwards, but kickback forces can be controlled by the operator, if proper precautions are taken.

**When blade is binding, or when interrupting a cut for any reason, release the trigger and hold the saw motionless in the material until the blade comes to a complete stop. Never attempt to remove the saw from the work or pull the saw backward while the blade is in motion or kickback may occur.** Investigate and take corrective actions to eliminate the cause of blade binding.

**When restarting a saw in the workpiece, centre the saw blade in the kerf and check that saw teeth are not engaged into the material.** If saw blade is binding, it may walk up or kickback from the workpiece as the saw is restarted.

**Support large panels to minimise the risk of blade pinching and kickback.** Large panels tend to sag under their own weight. Supports must be placed under the panel on both sides, near the line of cut and near the edge of the panel.

**Do not use dull or damaged blades.** Unsharpened or improperly set blades produce narrow kerf causing excessive friction, blade binding and kickback.

**Blade depth and bevel adjusting locking levers must be tight and secure before making cut.** If blade adjustment shifts while cutting, it may cause binding and kickback.

**Use extra caution when making a "plunge cut" into existing walls or other blind areas.** The protruding blade may cut objects that can cause kickback.

**Check lower guard for proper closing before each use. Do not operate the saw if lower guard does not move freely and close instantly. Never clamp or tie the lower guard into the open position.** If saw is accidentally dropped, lower guard may be bent. Raise the lower guard with the retracting handle and make sure it moves freely and does not touch the blade or any other part, in all angles and depths of cut.

**Check the operation of the lower guard spring. If the guard and the spring are not operating properly, they must be**

**serviced before use.** Lower guard may operate sluggishly due to damaged parts, gummy deposits, or a build-up of debris.

**Lower guard may be retracted manually only for special cuts such as "plunge cuts" and "compound cuts."** Raise lower guard by retracting handle and as soon as blade enters the material, the lower guard must be released. For all other sawing, the lower guard should operate automatically.

**Always observe that the lower guard is covering the blade before placing saw down on bench or floor.** An unprotected, coasting blade will cause the saw to walk backwards, cutting whatever is in its path. Be aware of the time it takes for the blade to stop after switch is released.

Do not use saw blades not corresponding to the key data given in these instructions for use.

**Always wear ear protectors.** Exposure to noise can cause hearing loss.

Please do not use abrasion disks in this machine!

Appliances used at many different locations including open air must be connected via a current surge preventing switch.

Always wear goggles when using the machine. It is recommended to wear gloves, sturdy non slipping shoes and apron.

Always disconnect the plug from the socket before carrying out any work on the machine.

Only plug-in when machine is switched off.

Keep mains lead clear from working range of the machine. Always lead the cable away behind you.

Before use check machine, cable, and plug for any damages or material fatigue. Repairs should only be carried out by authorised Service Agents.

Do not fix the on/off switch in the "on" position when using the saw hand-held.

The dust produced when using this tool may be harmful to health. Do not inhale the dust. Wear a suitable dust protection mask.

## SPECIFIED CONDITIONS OF USE

This circular saw can cut lengthways and mitre accurately in wood, plastic, and aluminium.

Do not use this product in any other way as stated for normal use.

## EC-DECLARATION OF CONFORMITY

We declare under our sole responsibility that this product is in conformity with the following standards or standardized documents. EN 60745, EN 55014-1, EN 55014-2, EN 61000-3-2, EN 61000-3-3, in accordance with the regulations 98/37/EC, 2004/108/EC



Winnenden, 2009-04-14

Rainer Kumpf  
Manager Product Development

## MAINS CONNECTION

Connect only to single-phase a.c. current and only to the system voltage indicated on the rating plate. It is also possible to connect to sockets without an earthing contact as the design conforms to safety class II.

## MAINTENANCE

The ventilation slots of the machine must be kept clear at all times.

Use only Milwaukee accessories and Milwaukee spare parts. Should components need to be replaced which have not been described, please contact one of our Milwaukee service agents (see our list of guarantee/service addresses).

If needed, an exploded view of the tool can be ordered. Please state the Article No. as well as the machine type printed on the label and order the drawing at your local service agents or directly at: Milwaukee Electric Tool, Max-Eyth-Straße 10, D-71364 Winnenden, Germany.

## SYMBOLS



Please read the instructions carefully before starting the machine.



Always disconnect the plug from the socket before carrying out any work on the machine.



Accessory - Not included in standard equipment, available as an accessory.



Do not dispose of electric tools together with household waste material! In observance of European Directive 2002/96/EC on waste electrical and electronic equipment and its implementation in accordance with national law, electric tools that have reached the end of their life must be collected separately and returned to an environmentally compatible recycling facility.

## TECHNISCHE DATEN

Nennaufnahmeleistung.....	1050 W
Leerlaufdrehzahl.....	5100 min <sup>-1</sup>
Sägeblatt-ø x Bohrungs-ø.....	165 x 30 mm
max. Schnitttiefe bei 90°.....	56 mm
max. Schnitttiefe bei 45°.....	37 mm
Gewicht ohne Netzkabel.....	3,7 kg

### Geräusch/Vibrationsinformation

Messwerte ermittelt entsprechend EN 60 745.

Der A-bewertete Geräuschpegel des Gerätes beträgt typischerweise:

Schalldruckpegel (K = 3 dB(A)).....	95 dB(A)
Schalleistungspegel (K = 3 dB(A)).....	106 dB(A)

### Gehörschutz tragen!

Schwingungsgesamtwerte (Vektorsumme dreier Richtungen) ermittelt entsprechend EN 60745.

Schwingungsemissionswert a <sub>h</sub> .....	< 2,5 m/s <sup>2</sup>
Unsicherheit K =.....	1,5 m/s <sup>2</sup>

## WARNUNG

Der in diesen Anweisungen angegebene Schwingungspegel ist entsprechend einem in EN 60745 genormten Messverfahren gemessen worden und kann für den Vergleich von Elektrowerkzeugen miteinander verwendet werden. Er eignet sich auch für eine vorläufige Einschätzung der Schwingungsbelastung.

Der angegebene Schwingungspegel repräsentiert die hauptsächlichlichen Anwendungen des Elektrowerkzeugs. Wenn allerdings das Elektrowerkzeug für andere Anwendungen, mit abweichenden Einsatzwerkzeugen oder ungenügender Wartung eingesetzt wird, kann der Schwingungspegel abweichen. Dies kann die Schwingungsbelastung über den gesamten Arbeitszeitraum deutlich erhöhen.

Für eine genaue Abschätzung der Schwingungsbelastung sollten auch die Zeiten berücksichtigt werden, in denen das Gerät abgeschaltet ist oder zwar läuft, aber nicht tatsächlich im Einsatz ist. Dies kann die Schwingungsbelastung über den gesamten Arbeitszeitraum deutlich reduzieren.

Legen Sie zusätzliche Sicherheitsmaßnahmen zum Schutz des Bedieners vor der Wirkung von Schwingungen fest wie zum Beispiel: Wartung von Elektrowerkzeug und Einsatzwerkzeugen, Warmhalten der Hände, Organisation der Arbeitsabläufe.

### ⚠️ **WARNUNG!** Lesen Sie alle Sicherheitshinweise und Anweisungen, auch die in der beiliegenden Broschüre.

Versäumnisse bei der Einhaltung der Sicherheitshinweise und Anweisungen können elektrischen Schlag, Brand und/oder schwere Verletzungen verursachen.

**Bewahren Sie alle Sicherheitshinweise und Anweisungen für die Zukunft auf.**

## SPEZIELLE SICHERHEITSHINWEISE

⚠️ **Gefahr:** Kommen Sie mit Ihren Händen nicht in den Sägebereich und an das Sägeblatt. Halten Sie mit Ihrer zweiten Hand den Zusatzgriff oder das Motorgehäuse. Wenn beide Hände die Kreissäge halten, kann das Sägeblatt diese nicht verletzen.

**Greifen Sie nicht unter das Werkstück.** Die Schutzhaube kann Sie unter dem Werkstück nicht vor dem Sägeblatt schützen.

**Passen Sie die Schnitttiefe an die Dicke des Werkstücks an.** Es sollte weniger als eine volle Zahnhöhe unter dem Werkstück sichtbar sein.

**Halten Sie das zu sägende Werkstück niemals in der Hand oder über dem Bein fest. Sichern Sie das Werkstück an einer stabilen Unterlage.** Es ist wichtig, das Werkstück gut zu befestigen, um die Gefahr von Körperkontakt, Klemmen des Sägeblattes oder Verlust der Kontrolle zu minimieren.

**Halten Sie das Gerät nur an den isolierten Griffflächen, wenn Sie Arbeiten ausführen, bei denen das Schneidwerkzeug verborgene Stromleitungen oder das eigene Gerätekabel treffen könnte.** Der Kontakt mit einer spannungsführenden Leitung setzt auch die metallenen Geräteteile unter Spannung und führt zu einem elektrischen Schlag.

**Verwenden Sie beim Längsschneiden immer einen Anschlag oder eine gerade Kantenführung.** Dies verbessert die Schnittgenauigkeit und verringert die Möglichkeit, dass das Sägeblatt klemmt.

**Verwenden Sie immer Sägeblätter in der richtigen Größe und mit passender Aufnahmebohrung (z.B. sternförmig oder rund).** Sägeblätter, die nicht zu den Montageteilen der Säge passen, laufen unrund und führen zum Verlust der Kontrolle.

**Verwenden Sie niemals beschädigte oder falsche Sägeblatt-Unterlegscheiben oder -schrauben.** Die Sägeblatt-Unterlegscheiben und -schrauben wurden speziell für

Ihre Säge konstruiert, für optimale Leistung und Betriebssicherheit.

Ursachen und Vermeidung eines Rückschlags:

– ein Rückschlag ist die plötzliche Reaktion infolge eines hakenden, klemmenden oder falsch ausgerichteten Sägeblattes, die dazu führt, dass eine unkontrollierte Säge abhebt und sich aus dem Werkstück heraus in Richtung der Bedienperson bewegt;

– wenn sich das Sägeblatt in dem sich schließenden Sägespalt verhakt oder verklemmt, blockiert es, und die Motorkraft schlägt das Gerät in Richtung der Bedienperson zurück;

– wird das Sägeblatt im Sägeschnitt verdreht oder falsch ausgerichtet, können sich die Zähne der hinteren Sägeblattkante in der Oberfläche des Werkstücks verhaken, wodurch sich das Sägeblatt aus dem Sägespalt herausbewegt und die Säge in Richtung der Bedienperson zurückspringt.

Ein Rückschlag ist die Folge eines falschen oder fehlerhaften Gebrauchs der Säge. Er kann durch geeignete Vorsichtsmaßnahmen, wie nachfolgend beschrieben, verhindert werden.

**Halten Sie die Säge mit beiden Händen fest und bringen Sie Ihre Arme in eine Stellung, in der Sie den Rückschlagkräften standhalten können. Halten Sie sich immer seitlich des Sägeblattes, nie das Sägeblatt in eine Linie mit Ihrem Körper bringen.** Bei einem Rückschlag kann die Kreissäge rückwärts springen, jedoch kann die Bedienperson die Rückschlagkräfte beherrschen, wenn geeignete Maßnahmen getroffen wurden.

**Falls das Sägeblatt klemmt oder das Sägen aus einem anderen Grund unterbrochen wird, lassen Sie den Ein-Aus-Schalter los und halten Sie die Säge im Werkstoff ruhig, bis das Sägeblatt vollständig stillsteht. Versuchen Sie niemals, die Säge aus dem Werkstück zu entfernen oder sie rückwärts zu ziehen, solange das Sägeblatt sich bewegt oder sich ein Rückschlag ereignen könnte.** Finden Sie die Ursache für das Klemmen des Sägeblattes und beseitigen Sie diese durch geeignete Maßnahmen.

**Wenn Sie eine Säge, die im Werkstück steckt, wieder starten wollen, zentrieren Sie das Sägeblatt im Sägespalt und überprüfen Sie, ob die Sägezähne nicht im Werkstück verhakt sind.** Klemmt das Sägeblatt, kann es sich aus dem Werkstück heraus bewegen oder einen Rückschlag verursachen, wenn die Säge erneut gestartet wird.

**Stützen Sie große Platten ab, um das Risiko eines Rückschlags durch ein klemmendes Sägeblatt zu**

**vermindern.** Große Platten können sich unter ihrem Eigengewicht durchbiegen. Platten müssen auf beiden Seiten, sowohl in Nähe des Sägespalts als auch am Rand, abgestützt werden.

**Verwenden Sie keine stumpfen oder beschädigten Sägeblätter.** Sägeblätter mit stumpfen oder falsch ausgerichteten Zähnen verursachen durch einen zu engen Sägespalt eine erhöhte Reibung, Klemmen des Sägeblattes und Rückschlag.

**Ziehen Sie vor dem Sägen die Schnitttiefen- und Schnittwinkleinstellungen fest.** Wenn sich während des Sägens die Einstellungen verändern, kann sich das Sägeblatt verklemmen und ein Rückschlag auftreten.

**Seien Sie besonders vorsichtig, wenn Sie einen „Tauschschnitt“ in einen verborgenen Bereich, z. B. eine bestehende Wand, ausführen.** Das eintauchende Sägeblatt kann beim Sägen in verborgene Objekte blockieren und einen Rückschlag verursachen.

**Überprüfen Sie vor jeder Benutzung, ob die untere Schutzhaube einwandfrei schließt. Verwenden Sie die Säge nicht, wenn die untere Schutzhaube nicht frei beweglich ist und sich nicht sofort schließt. Klemmen oder binden Sie die untere Schutzhaube niemals in geöffneter Position fest.** Sollte die Säge unbeabsichtigt zu Boden fallen, kann die untere Schutzhaube verborgen werden. Öffnen Sie die Schutzhaube mit dem Rückziehhebel und stellen Sie sicher, dass sie sich frei bewegt und bei allen Schnittwinkeln und -tiefen weder Sägeblatt noch andere Teile berührt.

**Überprüfen Sie die Funktion der Feder für die untere Schutzhaube. Lassen Sie das Gerät vor dem Gebrauch warten, wenn untere Schutzhaube und Feder nicht einwandfrei arbeiten.** Beschädigte Teile, klebrige Ablagerungen oder Anhäufungen von Spänen lassen die untere Schutzhaube verzögert arbeiten.

**Öffnen Sie die untere Schutzhaube von Hand nur bei besonderen Schnitten, wie „Tauch - und Winkelschnitten“.** Öffnen Sie die untere Schutzhaube mit dem Rückziehhebel und lassen Sie diesen los, sobald das Sägeblatt in das Werkstück eingedrungen ist. Bei allen anderen Sägearbeiten muss die untere Schutzhaube automatisch arbeiten.

**Legen Sie die Säge nicht auf der Werkbank oder dem Boden ab, ohne dass die untere Schutzhaube das Sägeblatt bedeckt.** Ein ungeschütztes, nachlaufendes Sägeblatt bewegt die Säge entgegen der Schnittrichtung und sägt, was ihm im Weg ist. Beachten Sie dabei die Nachlaufzeit der Säge.

Sägeblätter, die nicht den Kenndaten in dieser Gebrauchsanweisung entsprechen, dürfen nicht verwendet werden.

**Tragen Sie stets Gehörschutz.** Die Einwirkung von Lärm kann Gehörverlust bewirken.

Keine Schleifscheiben einsetzen.

Steckdosen in Außenbereichen müssen mit Fehlerstrom-Schutzschaltern ausgerüstet sein. Das verlangt die Installationsvorschrift für Ihre Elektroanlage. Bitte beachten Sie das bei der Verwendung unseres Gerätes.

Beim Arbeiten mit der Maschine stets Schutzbrille tragen. Schutzhandschuhe, festes und rutschsicheres Schuhwerk und Schürze werden empfohlen.

Vor allen Arbeiten an der Maschine Stecker aus der Steckdose ziehen.

Maschine nur ausgeschaltet an die Steckdose anschließen.

Anschlusskabel stets vom Wirkungsbereich der Maschine fernhalten. Kabel immer nach hinten von der Maschine wegführen.

Vor jedem Gebrauch Gerät, Anschlusskabel, Verlängerungskabel und Stecker auf Beschädigung und Alterung kontrollieren. Beschädigte Teile nur von einem Fachmann reparieren lassen.

Ein-/Aussschalter im handgeführten Betrieb nicht festklemmen.

Beim Arbeiten entstehender Staub ist oft gesundheitsschädlich und sollte nicht in den Körper gelangen. Geeignete Staubschutzmaske tragen.

## BESTIMMUNGSGEMÄßE VERWENDUNG

Die Handkreissäge ist einsetzbar zum Sägen von geradlinigen Schnitten in Holz, Kunststoff und Aluminium.

Dieses Gerät darf nur wie angegeben bestimmungsgemäß verwendet werden.

## CE-KONFORMITÄTSERKLÄRUNG

Wir erklären in alleiniger Verantwortung, dass dieses Produkt mit den folgenden Normen oder normativen Dokumenten übereinstimmt. EN 60745, EN 55014-1, EN 55014-2, EN 61000-3-2, EN 61000-3-3, gemäß den Bestimmungen der Richtlinien 98/37/EG, 2004/108/EG



Winnenden, 2009-04-14

Rainer Kumpf  
Manager Product Development

## NETZANSCHLUSS

Nur an Einphasen-Wechselstrom und nur an die auf dem Leistungsschild angegebene Netzspannung anschließen. Anschluss ist auch an Steckdosen ohne Schutzkontakt möglich, da ein Aufbau der Schutzklasse II vorliegt.

## WARTUNG

Stets die Lüftungsschlitze der Maschine sauber halten.

Nur Milwaukee Zubehör und Milwaukee Ersatzteile verwenden. Bauteile, deren Austausch nicht beschrieben wurde, bei einer Milwaukee Kundendienststelle auswechseln lassen (Broschüre Garantie/Kundendienstadressen beachten).

Bei Bedarf kann eine Explosionszeichnung des Gerätes unter Angabe der Maschinen Type und der zehnstelligen Nummer auf dem Leistungsschild bei Ihrer Kundendienststelle oder direkt bei Milwaukee Electric Tool, Max-Eyth-Straße 10, D-71364 Winnenden, Germany angefordert werden.

## SYMBOLS



Bitte lesen Sie die Gebrauchsanweisung vor Inbetriebnahme sorgfältig durch.



Vor allen Arbeiten an der Maschine Stecker aus der Steckdose ziehen.



Zubehör - Im Lieferumfang nicht enthalten, empfohlene Ergänzung aus dem Zubehörprogramm.



Werfen Sie Elektrowerkzeuge nicht in den Hausmüll! Gemäss Europäischer Richtlinie 2002/96/EG über Elektro- und Elektronik-Altgeräte und Umsetzung in nationales Recht müssen verbrauchte Elektrowerkzeuge getrennt gesammelt und einer umweltgerechten Wiederverwertung zugeführt werden.



## CARACTÉRISTIQUES TECHNIQUES

Puissance nominale de réception.....	1050 W
Vitesse de rotation à vide .....	5100 min <sup>-1</sup>
Ø de la lame de scie et de son alésage .....	165 x 30 mm
Profondeur de coupe max à 90° .....	56 mm
Profondeur de coupe max à 45° .....	37 mm
Poids sans câble de réseau .....	3,7 kg

### Informations sur le bruit et les vibrations

Valeurs de mesure obtenues conformément à la EN 60 745. ....

Les mesures réelles (A) des niveaux acoustiques de l'appareil sont :

Niveau de pression acoustique (K = 3 dB(A)) .....	95 dB(A)
Niveau d'intensité acoustique (K = 3 dB(A)) .....	106 dB(A)

### Toujours porter une protection acoustique!

Valeurs totales des vibrations (somme vectorielle de trois sens)

établies conformément à EN 60745.

Valeur d'émission vibratoire ah .....	< 2,5 m/s <sup>2</sup>
Incertitude K .....	1,5 m/s <sup>2</sup>

## AVERTISSEMENT

Le niveau vibratoire indiqué dans ces instructions a été mesuré selon un procédé de mesure normalisé dans la norme EN 60745 et peut être utilisé pour comparer des outils électriques entre eux. Il convient aussi à une estimation provisoire de la sollicitation par les vibrations.

Le niveau vibratoire indiqué représente les applications principales de l'outil électrique. Toutefois, si l'outil électrique est utilisé pour d'autres applications, avec des outils rapportés qui diffèrent ou une maintenance insuffisante, il se peut que le niveau vibratoire diverge. Cela peut augmenter nettement la sollicitation par les vibrations sur tout l'intervalle de temps du travail.

Pour une estimation précise de la sollicitation par les vibrations, on devrait également tenir compte des temps pendant lesquels l'appareil n'est pas en marche ou tourne sans être réellement en service. Cela peut réduire nettement la sollicitation par les vibrations sur tout l'intervalle de temps du travail.

Définissez des mesures de sécurité supplémentaires pour protéger l'utilisateur contre l'influence des vibrations, comme par exemple : la maintenance de l'outil électrique et des outils rapportés, le maintien au chaud des mains, l'organisation des déroulements de travail.

**AVERTISSEMENT! Lisez toutes les consignes de sécurité et les instructions, même celles qui se trouvent dans la brochure ci-jointe.** Le non-respect des avertissements et instructions indiqués ci après peut entraîner un choc électrique, un incendie et/ou de graves blessures sur les personnes.

**Bien garder tous les avertissements et instructions.**

## INSTRUCTIONS DE SÉCURITÉ PARTICULIÈRES

**DANGER: Bien garder les mains à distance de la zone de sciage et de la lame de scie. Tenir la poignée supplémentaire ou le carter du moteur de l'autre main.** Si vous tenez la scie circulaire des deux mains, celles-ci ne peuvent pas être blessées par la lame de scie.

**Ne pas passer les mains sous la pièce à travailler.** Sous la pièce à travailler, le capot de protection ne peut pas vous protéger de la lame de scie.

**Adapter la profondeur de coupe à l'épaisseur de la pièce.** Moins d'une dent complète devrait apparaître sous la pièce.

**Ne jamais tenir la pièce à scier dans la main ou par-dessus la jambe. Fixer la pièce sur un support stable.** Il est important de bien fixer la pièce, afin de réduire au minimum les dangers causés par le contact physique, quand la lame de scie se coince ou lorsqu'on perd le contrôle.

**Hold power tool by insulated gripping surfaces when performing an operation where the cutting tool may contact hidden wiring or its own cord.** Contact with a „live“ wire will also make exposed metal parts of the power tool „live“ and shock the operator.

**Toujours utiliser une butée ou un guidage droit de bords pour des coupes longitudinales.** Ceci améliore la précision de la coupe et réduit le danger de voir la lame de scie se coincer.

**Toujours utiliser des lames de scie de la bonne taille qui ont une forme appropriée à l'alésage de fixation (par ex. en étoile ou rond).** Les lames de scie qui ne conviennent pas aux parties montées de la scie sont comme voilées et entraînent une perte de contrôle.

**Ne jamais utiliser de rondelles ou de vis endommagées ou qui ne conviennent pas à la lame de scie.** Les rondelles et vis pour la lame de scie ont spécialement été construites pour votre scie, pour une performance et une sécurité de fonctionnement optimales.

Causes de contrecoups et comment les éviter:

- un contrecoup est une réaction soudaine d'une lame de scie qui est restée accrochée, qui s'est coincée ou qui est mal orientée qui fait que la scie incontrôlée sort de la pièce à travailler et se dirige vers la personne travaillant avec l'appareil;

-si la lame de scie reste accrochée ou se coince dans la fente sciée qui se ferme, elle se bloque et la force du moteur entraîne l'appareil vers la personne travaillant avec l'appareil;

-si la lame de scie est tordue ou mal orientée dans le tracé de la coupe, les dents du bord arrière de la lame de scie risquent de se coincer dans la surface de la pièce, ce qui fait que la lame de scie saute brusquement de la fente et qu'elle est propulsée vers l'arrière où se trouve la personne travaillant avec l'appareil.

Un contrecoup est la suite d'une mauvaise utilisation ou une utilisation incorrecte de la scie. Il peut être évité en prenant les mesures de précaution comme elles sont décrites ci-dessous.

**Bien tenir la scie des deux mains et mettre vos bras dans une position vous permettant de résister à des forces de contrecoup. Toujours positionner votre corps latéralement à la lame de scie, ne jamais positionner la lame de scie de façon qu'elle fasse une ligne avec votre corps.** Lors d'un contrecoup, la scie circulaire risque d'être propulsée vers l'arrière, la personne travaillant avec l'appareil peut cependant contrôler les forces de contrecoup, quand des mesures appropriées ont été prises au préalable.

**Si la lame de scie se coince ou que l'opération de sciage est interrompue pour une raison quelconque, lâcher l'interrupteur Marche/ Arrêt et tenir la scie dans la pièce sans bouger, jusqu'à ce que la lame de scie se soit complètement arrêtée. Ne jamais essayer de sortir la scie de la pièce ou de la tirer vers l'arrière tant que la lame de scie bouge ou qu'un contrecoup pourrait se produire.** Déterminer la cause pour laquelle la scie s'est coincée et en remédier au problème.

**Si une scie qui s'est bloquée dans une pièce, doit être remise en marche, centrer la lame de scie dans la fente et contrôler que les dents de la scie ne soient pas restées accrochées dans la pièce.** Si la lame de scie est coincée, elle peut sortir de la pièce ou causer un contrecoup quand la scie est remise en marche.

**Soutenir des grands panneaux afin d'éliminer le risque d'un contrecoup causé par une lame de scie coincée.** Les grands panneaux risquent de s'arquer sous leur propre poids. Les panneaux doivent être soutenus des deux côtés par des supports, près de la fente de scie ainsi qu'aux bords des panneaux.

**Ne pas utiliser de lames de scie émoussées ou endommagées.** Les lames de scie dont les dents sont émoussées ou mal orientées entraînent une fente trop étroite et par conséquent une friction élevée, un coinçage de la lame de scie et un contrecoup.

**Resserrer les réglages de la profondeur de coupe ainsi que de l'angle de coupe avant le sciage.** La lame de scie risque de se coincer et un contrecoup de se produire si les réglages se modifient lors de l'opération de sciage.

**Faire preuve d'une prudence particulière lorsqu'une „coupe en plongée“ est effectuée dans un endroit caché, par ex. un mur.** Lors du sciage, la lame de scie plongeante risque de scier des objets cachés et de causer un contrecoup.

**Contrôler avant chaque utilisation que le capot inférieur de protection ferme parfaitement. Ne pas utiliser la scie quand le capot inférieur de protection ne peut pas librement bouger et ne se ferme pas tout de suite. Ne jamais coincer ou attacher le capot inférieur de protection dans le but de la laisser dans sa position ouverte.** Si, par mégarde, la scie tombe par terre, le capot inférieur de protection risque d'être déformé. Ouvrir le capot de protection à l'aide du levier et s'assurer qu'il peut encore bouger librement et ne touche ni la lame de scie ni d'autres éléments de l'appareil, et ceci pour tous les angles de coupe ainsi que pour toutes les profondeurs de coupe.

**Contrôler le bon fonctionnement du ressort du capot inférieur de protection. Faire effectuer un entretien de l'appareil avant de l'utiliser, si le capot inférieur de protection et le ressort ne travaillent pas impeccablement.** Les parties endommagées, des restes de colle ou des accumulations de copeaux font que le capot inférieur de protection travaille plus lentement.

**N'ouvrir le capot inférieur de protection manuellement que pour des coupes spéciales telles que les "coupes en plongée et coupes angulaires". Ouvrir le capot inférieur de protection à l'aide du levier et le lâcher dès que la lame de scie soit entrée dans la pièce.** Pour toutes les autres opérations de sciage, le capot inférieur de protection doit travailler automatiquement.

**Ne pas placer la scie sur l'établi ou le sol sans que le capot inférieur de protection couvre la lame des scie.** Une lame de scie non protégée et qui n'est pas encore à l'arrêt total fait bouger la scie dans le sens contraire à la direction de coupe et scie tout ce qui est sur son chemin. Tenir compte du temps de ralentissement de la scie.

Ne pas utiliser de lames de scie qui ne correspondent pas aux caractéristiques indiquées dans ces instructions d'utilisation.

**Portez une protection acoustique.** L'influence du bruit peut provoquer la surdité.

Ne pas utiliser de disques de meulage!

Les prises de courant se trouvant à l'extérieur doivent être équipées de disjoncteurs différentiel conformément aux prescriptions de mise en place de votre installation électrique. Veuillez en tenir compte lors de l'utilisation de notre appareil.

Toujours porter des lunettes protectrices en travaillant avec la machine. Des gants de sécurité, des chaussures solides et à semelles antidérapantes et un tablier sont recommandés.

Avant tous travaux sur la machine extraire la fiche de la prise de courant.

Ne raccorder la machine au réseau que si l'interrupteur est en position arrêt.

Le câble d'alimentation doit toujours se trouver en dehors du champ d'action de la machine. Toujours maintenir le câble d'alimentation à l'arrière de la machine.

Avant toute utilisation, vérifier que la machine, le câble d'alimentation, le câble de rallonge et la fiche ne sont pas endommagés ni usés. Le cas échéant, les faire remplacer par un spécialiste.

Ne pas bloquer le commutateur de marche/arrêt lorsque la scie se trouve en guidage manuel.

Les poussières qui sont dégagées pendant les travaux sont souvent nocives pour la santé et ne devraient pas pénétrer dans le corps. Porter un masque de protection approprié contre les poussières.

## UTILISATION CONFORME AUX PRESCRIPTIONS

La scie circulaire réalise des coupes longitudinales dans le bois les matières synthétiques et l'aluminium.

Comme déjà indiqué, cette machine n'est conçue que pour être utilisée conformément aux prescriptions.

## DECLARATION CE DE CONFORMITÉ

Nous déclarons sous notre responsabilité que ce produit est en conformité avec les normes ou documents normalisés suivants EN 60745, EN 55014-1, EN 55014-2, EN61000-3-2, EN 61000-3-3, conformément aux réglementations 98/37/CE, 2004/108/CE



Winnenden, 2009-04-14

Rainer Kumpf  
Manager Product Development

## BRANCHEMENT SECTEUR

Raccorder uniquement à un courant électrique monophasé et uniaxial à la tension secteur indiquée sur la plaque signalétique. Le raccordement à des prises de courant sans contact de protection est également possible car la classe de protection II est donnée.

## ENTRETIEN

Tenir toujours propres les orifices de ventilation de la machine.

Utiliser uniquement les accessoires Milwaukee et les pièces détachées Milwaukee. Faire remplacer les composants dont le remplacement n'a pas été décrit, par un des centres de service après-vente Milwaukee (observer la brochure avec les adresses de garantie et de service après-vente).

Si besoin est, une vue éclatée de l'appareil peut être fournie. S'adresser, en indiquant bien le numéro à dix chiffres porté sur la plaque signalétique, à votre station de service après-vente (voir liste jointe) ou directement à Milwaukee Electric Tool, Max-Eyth-Straße 10, D-71364 Winnenden, Germany.

## SYMBÔLES



Veillez lire avec soin le mode d'emploi avant la mise en service



Avant tous travaux sur la machine extraire la fiche de la prise de courant.



Accessoires - Ces pièces ne font pas partie de la livraison. Il s'agit là de compléments recommandés pour votre machine et énumérés dans le catalogue des accessoires.



Ne pas jeter les appareils électriques dans les ordures ménagères! Conformément à la directive européenne 2002/96/EG relative aux déchets d'équipements électriques ou électroniques (DEEE), et à sa transposition dans la législation nationale, les appareils électriques doivent être collectés à part et être soumis à un recyclage respectueux de l'environnement.

## DATI TECNICI

Potenza assorbita nominale .....	1050 W
Numero di giri a vuoto .....	5100 min <sup>-1</sup>
Diametro lama x foro lama .....	165 x 30 mm
Massima profondità di taglio a 90° .....	56 mm
Massima profondità di taglio a 45° .....	37 mm
Peso senza cavo di rete .....	3,7 kg

### Informazioni sulla rumorosità/sulle vibrazioni

Valori misurati conformemente alla norma EN 60 745.

La misurazione A del livello di pressione acustica dell'utensile è di solito di:

Livello di rumorosità (K=3dB(A)) .....	95 dB(A)
Potenza della rumorosità (K=3dB(A)) .....	106 dB(A)

### Utilizzare le protezioni per l'udito!

Valori totali delle oscillazioni (somma di vettori in tre direzioni)

misurati conformemente alla norma EN 60745

Valore di emissione dell'oscillazione a <sub>h</sub> .....	< 2,5 m/s <sup>2</sup>
Incertezza della misura K .....	1,5 m/s <sup>2</sup>

## AVVERTENZA

Il livello di vibrazioni indicato nelle presenti istruzioni è stato misurato in conformità con un procedimento di misurazione codificato nella EN 60745 e può essere utilizzato per un confronto tra attrezzi elettrici. Inoltre si può anche utilizzare per una valutazione preliminare della sollecitazione da vibrazioni.

Il livello di vibrazioni indicato rappresenta le applicazioni principali dell'attrezzo elettrico. Se viceversa si utilizza l'attrezzo elettrico per altri scopi, con accessori differenti o con una manutenzione insufficiente, il livello di vibrazioni può risultare diverso. E questo può aumentare decisamente la sollecitazione da vibrazioni lungo l'intero periodo di lavorazione.

Ai fini di una valutazione precisa della sollecitazione da vibrazioni si dovrebbero tenere presente anche i periodi in cui l'apparecchio rimane spento oppure, anche se acceso, non viene effettivamente utilizzato. Ciò può ridurre notevolmente la sollecitazione da vibrazioni lungo l'intero periodo di lavorazione.

Stabilite misure di sicurezza supplementari per la tutela dell'operatore dall'effetto delle vibrazioni, come ad esempio: manutenzione dell'attrezzo elettrico e degli accessori, riscaldamento delle mani, organizzazione dei processi di lavoro.

**AVVERTENZA! E' necessario leggere tutte le indicazioni di sicurezza e le istruzioni, anche quelle contenute nella brochure allegata.** In caso di mancato rispetto delle avvertenze di pericolo e delle istruzioni operative si potrà creare il pericolo di scosse elettriche, incendi e/o incidenti gravi.  
**Conservare tutte le avvertenze di pericolo e le istruzioni operative per ogni esigenza futura.**

## NORME DI SICUREZZA

**PERICOLO: Mai avvicinare le mani alla zona operativa e neppure alla lama di taglio. Utilizzare la seconda mano per afferrare l'impugnatura supplementare oppure la carcassa del motore.** Afferrando la sega circolare con entrambe le mani, la lama di taglio non potrà costituire una fonte di pericolo per le stesse.

**Mai afferrare con le mani la parte inferiore del pezzo in lavorazione.** Nella zona al di sotto del pezzo in lavorazione la calotta di protezione non presenta alcuna protezione contro la lama di taglio.

**Adattare la profondità di taglio allo spessore del pezzo in lavorazione.** Nella parte inferiore del pezzo in lavorazione dovrebbe essere visibile meno della completa altezza del dente.

**Mai tenere con le mani il pezzo in lavorazione che si intende tagliare e neppure appoggiarlo sulla gamba. Assicurare il pezzo in lavorazione su una base di sostegno che sia stabile.** Per ridurre al minimo possibile il pericolo di un contatto con il corpo, la possibilità di un blocco della lama di taglio oppure la perdita del controllo, è importante fissare bene il pezzo in lavorazione.

**Quando si eseguono lavori in cui vi è pericolo che l'utensile da taglio possa arrivare a toccare linee elettriche nascoste oppure anche il cavo elettrico della macchina stessa, tenere la macchina afferrandola sempre alle superfici di impugnatura isolate.** In caso di contatto con una linea portatrice di tensione anche le parti metalliche della macchina vengono sottoposte a tensione provocando una scossa di corrente elettrica.

**In caso di taglio longitudinale utilizzare sempre una battuta oppure una guida angolare diritta.** In questo modo è possibile migliorare la precisione del taglio riducendo il pericolo che la lama di taglio possa incepparsi.

**Utilizzare sempre lame per segatrice che abbiano la misura corretta ed il foro di montaggio adatto (p.es. a stella oppure rotondo.** In caso di lame per segatrice inadatte ai relativi pezzi

di montaggio non hanno una rotazione perfettamente circolare e comportano il pericolo di una perdita del controllo.

**Mai utilizzare rondelle oppure viti per lama di taglio che non dovessero essere in perfetto stato o che non dovessero essere adatte.** Le rondelle e le viti per lama di taglio sono appositamente previste per la Vostra segatrice e sono state realizzate per raggiungere ottimali prestazioni e massima sicurezza di utilizzo.

Possibile causa ed accorgimenti per impedire un contraccolpo:

- Un contraccolpo è la reazione improvvisa provocata da una lama di taglio rimasta agganciata, che si blocca oppure che non è stata regolata correttamente comportando un movimento incontrollato della sega che sbalza dal pezzo in lavorazione e si sposta in direzione dell'operatore.

- Quando la lama di taglio rimane agganciata oppure si inceppa nella fessura di taglio che si restringe, si provoca un blocco e la potenza del motore fa balzare la macchina indietro in direzione dell'operatore;

- Torcendo la lama nella fessura di taglio oppure regolandola in maniera non appropriata vi è il pericolo che i denti del bordo posteriore della lama restano agganciati nella superficie del pezzo in lavorazione provocando una reazione della lama di taglio che sbalza dalla fessura di taglio e la segatrice salta indietro in direzione dell'operatore.

Un contraccolpo è la conseguenza di un utilizzo non appropriato oppure non corretto della sega. Esso può essere evitato soltanto prendendo misure adatte di sicurezza come dalla descrizione che segue.

**Tenere la sega ben ferma afferrandola con entrambe le mani e portare le braccia in una posizione che Vi permetta di resistere bene alla forza di contraccolpi. Tenere sempre una posizione laterale rispetto alla lama di taglio e mai mettere la lama di taglio in una linea con il Vostro corpo.** In caso di un contraccolpo la sega circolare può balzare all'indietro; comunque, prendendo delle misure adatte l'operatore può essere in grado di controllare il contraccolpo.

**Nel caso in cui la lama di taglio dovesse incepparsi oppure per un qualunque altro motivo l'operazione di taglio con la segatrice dovesse essere interrotta, rilasciare l'interruttore di avvio/arresto e tenere la segatrice in posizione nel materiale fino a quando la lama di taglio non si sarà fermata completamente. Non tentare mai di togliere la segatrice dal pezzo in lavorazione e neppure tirarla all'indietro fintanto che la lama di taglio si muove oppure vi dovesse essere ancora la possibilità di un contraccolpo.** Individuare la

possibile causa del blocco della lama di taglio ed eliminarla attraverso interventi adatti.

**Volendo avviare nuovamente una segatrice che ancora si trova nel pezzo in lavorazione, centrare la lama nella fessura di taglio ed accertarsi che la dentatura della segatrice non sia rimasta agganciata nel pezzo in lavorazione.** Una lama di taglio inceppata può balzare fuori dal pezzo in lavorazione oppure provocare un contraccolpo nel momento in cui si avvia nuovamente la segatrice.

**Per eliminare il rischio di un contraccolpo dovuto al blocco di una lama di taglio, assicurare bene pannelli di dimensioni maggiori.** Pannelli di dimensioni maggiori possono piegarsi sotto il peso proprio. In caso di pannelli è necessario munirli di supporti adatti su entrambi i lati, sia in vicinanza della fessura di taglio che a margine.

**Non utilizzare mai lame per segatrice che non siano più affilate oppure il cui stato generale non dovesse essere più perfetto.** Lame per segatrice non più affilate oppure deformate implicano un maggiore attrito nella fessura di taglio aumentando il pericolo di blocchi e di contraccolpi della lama di taglio.

**Prima di eseguire l'operazione di taglio, determinare la profondità e l'angolazione del taglio.** Se durante l'operazione di taglio si modificano le registrazioni è possibile che la lama di taglio si blocchi e che si abbia un contraccolpo.

**Si prega di operare con particolare attenzione quando si è in procinto di eseguire un "taglio dal centro" in una zona nascosta come potrebbe per esempio essere una parete.** La lama di taglio che inizia il taglio su oggetti nascosti può bloccarsi e provocare un contraccolpo.

**Prima di ogni intervento operativo accertarsi che la calotta di protezione chiuda perfettamente. Non utilizzare la segatrice in caso non fosse possibile muovere liberamente la calotta di protezione inferiore e non potesse essere chiusa immediatamente. Mai bloccare oppure legare la calotta di protezione inferiore in posizione aperta.** Se la segatrice dovesse accidentalmente cadere a terra è possibile che la calotta di protezione inferiore subisca una deformazione. Operando con la leva di ritorno, aprire la calotta di protezione ed accertarsi che possa muoversi liberamente in ogni angolazione e profondità di taglio senza toccare né lama né nessun altro pezzo.

**Controllare il funzionamento della molla per la calotta di protezione inferiore. Qualora la calotta di protezione e la molla non dovessero funzionare correttamente, sottoporre la macchina ad un servizio di manutenzione prima di utilizzarla.** Componenti danneggiati, depositi di sporcizia appiccicosi oppure accumuli di trucioli comportano una riduzione della funzionalità della calotta inferiore di protezione.

**Aprire manualmente la calotta inferiore di protezione solo in caso di tagli particolari come potrebbero essere "tagli dal centro e tagli ad angolo". Aprire la calotta inferiore di protezione mediante la leva di ritorno e rilasciare questa non appena la lama di taglio sarà penetrata nel pezzo in lavorazione.** Nel caso di ogni altra operazione di taglio la calotta inferiore di protezione deve funzionare automaticamente.

**Non poggiare la segatrice sul banco di lavoro oppure sul pavimento se la calotta inferiore di protezione non copre completamente la lama di taglio.** Una lama di taglio non protetta ed ancora in fase di arresto sposta la segatrice in senso contrario a quello della direzione di taglio e taglia tutto ciò che incontra. Tenere quindi sempre in considerazione la fase di arresto della segatrice.

Non utilizzare lame non corrispondenti alle specifiche riportate in queste istruzioni d'uso.

**Indossare protezioni acustiche adeguate.** L'esposizione prolungata al rumore senza protezione può causare danni all'udito.

Per favore non utilizzare dischi abrasivi

Gli apparecchi mobili usati all'aperto devono essere collegati interponendo un interruttore di sicurezza per guasti di corrente.

Durante l'uso dell'apparecchio utilizzare sempre gli occhiali di protezione. Inoltre si consiglia di usare sistemi di protezione per la respirazione e per l'udito, oltre ai guanti di protezione.

Prima di effettuare qualsiasi lavoro sulla macchina togliere la spina dalla presa di corrente.

Inserire la spina solo con interruttore su posizione "OFF".

Tenere sempre lontano il cavo di collegamento dall'area di lavoro dell'attrezzo.

Prima di ogni utilizzo controllare che il cavo di alimentazione, eventuali prolunghe e la spina siano integri e senza danni. Eventualmente parti danneggiate devono essere controllate e riparate da un tecnico.

Non bloccare l'interruttore durante il funzionamento manuale.

La polvere che si produce durante il lavoro è spesso dannosa per la salute e non dovrebbe essere aspirata. Portare un'adeguata mascherina protettiva.

## UTILIZZO CONFORME

Sega circolare portatile per effettuare tagli obliqui e longitudinali nel legno o nel materiale sintetico.

Utilizzare il prodotto solo per l'uso per cui è previsto.

## DICHIARAZIONE DI CONFORMITÀ CE

Dichiariamo, assumendo la piena responsabilità di tale dichiarazione, che il prodotto è conforme alla seguenti normative e ai relativi documenti: EN 60745, EN 55014-1, EN 55014-2, EN 61000-3-2, EN 61000-3-3, EN 61000-3-3, in base alle prescrizioni delle direttive CE2006/42, CE 2004/108/



Winnenden, 2009-04-14

Rainer Kumpf  
Manager Product Development

## COLLEGAMENTO ALLA RETE

Connettere solo corrente alternata mono fase e solo al sistema di voltaggio indicato sulla piastra. E' possibile anche connettere la presa senza un contatto di messa a terra così come prevede lo schema conforme alla norme di sicurezza di classe II.

## MANUTENZIONE

Tener sempre ben pulite le fessure di ventilazione dell'apparecchio.

Usare solo accessori Milwaukee e pezzi di ricambio Milwaukee. Gruppi costruttivi la cui sostituzione non è stata descritta, devono essere fatti cambiare da un punto di servizio di assistenza tecnica al cliente Milwaukee (vedi depliant garanzia/indirizzi assistenza tecnica ai clienti).

In caso di mancanza del disegno esploso, può essere richiesto al seguente indirizzo: Milwaukee Electric Tool, Max-Eytrh-Straße 10, D-71364 Winnenden, Germany.

## SIMBOLI



Leggere attentamente le istruzioni per l'uso prima di mettere in funzione l'elettro utensile.



Prima di effettuare qualsiasi lavoro sulla macchina togliere la spina dalla presa di corrente.



Accessorio - Non incluso nella dotazione standard, disponibile a parte come accessorio.



Non gettare le apparecchiature elettriche tra i rifiuti domestici. Secondo la Direttiva Europea 2002/96/CE sui rifiuti di apparecchiature elettriche ed elettroniche e la sua attuazione in conformità alle norme nazionali, le apparecchiature elettriche esauste devono essere accolte separatamente, al fine di essere reimpiegate in modo eco-compatibile.



## DATOS TÉCNICOS

Potencia de salida nominal.....	1050 W
Velocidad en vacío .....	5100 min <sup>-1</sup>
Disco de sierra - ø x orificio ø.....	165 x 30 mm
Profundidad de corte máx. a 90°.....	56 mm
Profundidad de corte máx. a 45°.....	37 mm
Peso sin cable.....	3,7 kg

### Información sobre ruidos / vibraciones

Determinación de los valores de medición según norma EN 60 745.

El nivel de ruido típico del aparato determinado con un filtro A corresponde a:

Presión acústica (K=3dB(A)).....	95 dB(A)
Resonancia acústica (K=3dB(A)).....	106 dB(A)

### Usar protectores auditivos!

Nivel total de vibraciones (suma vectorial de tres direcciones) determinado según EN 60745.

Valor de vibraciones generadas a <sub>h</sub> .....	< 2,5 m/s <sup>2</sup>
Tolerancia K.....	1,5 m/s <sup>2</sup>

## ADVERTENCIA

El nivel vibratorio indicado en estas instrucciones ha sido medido conforme a un método de medición estandarizado en la norma EN 60745, y puede utilizarse para la comparación entre herramientas eléctricas. También es apropiado para una estimación provisional de la carga de vibración.

El nivel vibratorio indicado representa las aplicaciones principales de la herramienta eléctrica. Si, pese a ello, se utiliza la herramienta eléctrica para otras aplicaciones, con útiles adaptables diferentes o con un mantenimiento insuficiente, el nivel vibratorio puede diferir. Esto puede incrementar sensiblemente la carga de vibración durante todo el periodo de trabajo.

Para una estimación exacta de la carga de vibración deberían tenerse en cuenta también los tiempos durante los que el aparato está apagado o, pese a estar en funcionamiento, no está siendo realmente utilizado. Esto puede reducir sustancialmente la carga de vibración durante todo el periodo de trabajo.

Adopte medidas de seguridad adicionales para la protección del operador frente al efecto de las vibraciones, como por ejemplo: mantenimiento de la herramienta eléctrica y de los útiles adaptables, mantener las manos calientes, organización de los procesos de trabajo.

**⚠ ADVERTENCIA! Rogamos leer las indicaciones de seguridad y las instrucciones, también las que contiene el folleto adjunto.** En caso de no atenderse a las advertencias de peligro e instrucciones siguientes, ello puede ocasionar una descarga eléctrica, un incendio y/o lesión grave.  
**Guardar todas las advertencias de peligro e instrucciones para futuras consultas.**

## INSTRUCCIONES DE SEGURIDAD

**⚠ PELIGRO: Mantener las manos alejadas del área de corte y de la hoja de sierra. Sujetar con la otra mano la empuñadura adicional o la carcasa motor.** Si la sierra circular se sujeta con ambas manos, éstas no pueden lesionarse con la hoja de sierra.

**No tocar por debajo de la pieza de trabajo.** La caperuza protectora no le protege del contacto con la hoja de sierra por la parte inferior de la pieza de trabajo.

**Adaptar la profundidad de corte al grosor de la pieza de trabajo.** La hoja de sierra no deberá sobresalir más de un diente de la pieza de trabajo.

**Jamás sujetar la pieza de trabajo con la mano o colocándola sobre sus piernas. Fijar la pieza de trabajo sobre una base de asiento firme.** Es importante que la pieza de trabajo quede bien sujeta para reducir el riesgo a accidentarse, a que se atasque la hoja de sierra, o a perder del control sobre el aparato.

**Únicamente sujetar el aparato por las empuñaduras aisladas al realizar trabajos en los que el útil pueda tocar conductores eléctricos ocultos o el propio cable del aparato.** El contacto con conductores portadores de tensión puede hacer que las partes metálicas del aparato le provoquen una descarga eléctrica.

**Al realizar cortes longitudinales emplear siempre un tope, o una guía para ángulos rectos.** Esto permite un corte más exacto y además reduce el riesgo a que se atasque la hoja de sierra.

**Siempre utilizar las hojas de sierra con las dimensiones correctas y el orificio adecuado (p. ej. en forma de estrella o redondo).** Las hojas de sierra que no correspondan a los elementos de montaje de ésta, giran excéntricas y pueden hacerle perder el control sobre la sierra.

**Jamás emplear arandelas o tornillos de sujeción de la hoja de sierra dañados o incorrectos.** Las arandelas y tornillos de

sujeción de la hoja de sierra fueron especialmente diseñados para obtener unas prestaciones y seguridad de trabajo máximas.

Causas y prevención contra el rechazo de la sierra:

- El rechazo es una fuerza de reacción brusca que se provoca al engancharse, atascarse o guiar incorrectamente la hoja de sierra, lo que hace que la sierra se salga de forma incontrolada de la pieza de trabajo y resulte impulsada hacia el usuario;

- Si la hoja de sierra se engancha o atasca al cerrarse la ranura de corte, la hoja de sierra se bloquea y el motor impulsa el aparato hacia el usuario;

- Si la hoja de sierra se gira lateralmente o se desalinea, los dientes de la parte posterior de la hoja de sierra pueden engancharse en la cara superior de la pieza de trabajo haciendo que la hoja de sierra se salga de la ranura de corte, y el aparato salga despedido hacia atrás en dirección al usuario.

El rechazo se debe a la utilización inadecuada y/o procedimientos o condiciones de trabajo incorrectos y puede evitarse tomando las precauciones que se detallan a continuación.

**Sujetar firmemente la sierra con ambas manos manteniendo los brazos en una posición que le permita oponerse a la fuerza de reacción. Mantener el cuerpo a un lado de la hoja de sierra; jamás colocarse en línea con ella.** Si la sierra retrocede bruscamente al ser rechazada, el usuario puede hacer frente a esta fuerza de reacción siempre que haya tomado unas precauciones adecuadas.

**Si la hoja de sierra se atasca, o en caso de tener que interrumpir el trabajo por cualquier otro motivo, soltar el interruptor de conexión/desconexión manteniendo inmóvil la sierra, y esperar a que se haya detenido completamente la hoja de sierra. Jamás intentar sacar la sierra de la pieza de trabajo o tirar de ella hacia atrás mientras esté funcionando la hoja de sierra, puesto que resultaría rechazada.** Investigar y subsanar convenientemente la causa de atasco de la hoja de sierra.

**Para continuar el trabajo con la sierra, centrar primero la hoja de sierra en la ranura y cerciorarse de que los dientes de sierra no toquen la pieza de trabajo.** Si la hoja de sierra está atascada, la sierra puede llegar a salirse de la pieza de trabajo o ser rechazada al ponerse en marcha.

**Soportar tableros grandes para evitar un rechazo al atascarse la hoja de sierra.** Los tableros grandes pueden moverse por su propio peso. Los tableros deberán ser

soportados a ambos lados, tanto cerca de la línea de corte como al borde.

**No usar hojas de sierra melladas ni dañadas.** Las hojas de sierra con dientes mellados o incorrectamente triscados producen una ranura de corte demasiado estrecha, lo que provoca una fricción excesiva y el atasco o rechazo de la hoja de sierra.

**Apretar firmemente los dispositivos de ajuste de la profundidad y ángulo de corte antes de comenzar a serrar.** Si la sierra llegase a desajustarse durante el trabajo puede que la hoja de sierra se atasque y resulte rechazada.

**Prestar especial atención al realizar un "corte por inmersión" en tabiques u otros materiales de composición desconocida.** Al ir penetrando la hoja de sierra ésta puede ser bloqueada por objetos ocultos en el material y hacer que la sierra sea rechazada.

**Antes de cada utilización cerciorarse de que la caperuza protectora inferior cierre perfectamente. No usar la sierra si la caperuza protectora inferior no gira libremente o no se cierra de forma instantánea. Jamás bloquear o atar la caperuza protectora inferior para mantenerla abierta.** Si la sierra se le cae puede que se deforme la caperuza protectora inferior. Abrir la caperuza protectora inferior con la palanca y cerciorarse de que se mueva libremente sin que llegue a tocar la hoja de sierra ni otras partes en cualquiera de los ángulos y profundidades de corte.

**Controlar el funcionamiento del muelle de recuperación de la caperuza protectora inferior. Antes de su uso hacer reparar el aparato si la caperuza protectora inferior o el resorte no funcionan correctamente.** Las piezas deterioradas, el material adherido pegajoso, o las virutas acumuladas puede hacer que la caperuza protectora inferior se mueva con dificultad.

**Solamente abrir manualmente la caperuza protectora inferior al realizar cortes especiales como "cortes por inmersión" o "cortes compuestos". Abrir la caperuza protectora inferior con la palanca y soltarla en el momento en que la hoja de sierra haya llegado a penetrar en la pieza de trabajo.** En todos los demás trabajos la caperuza protectora deberá trabajar automáticamente.

**No depositar la sierra sobre una base si la caperuza protectora inferior no cubre la hoja de sierra.** Una hoja de sierra sin proteger, que no esté completamente detenida, hace que la sierra salga despedida hacia atrás, cortando todo lo que encuentra a su paso. Considerar el tiempo de marcha por inercia hasta la detención de la sierra.

No se pueden emplear hojas de sierra cuyos datos codificados no corresponden a estas instrucciones de manejo.

**¡Utilice protección auditiva!** La exposición a niveles de ruido excesivos puede causar pérdida de audición

Por favor no emplear muelas abrasivas!

Conecte siempre la máquina a una red protegida por interruptor diferencial y magnetotérmico, para su seguridad personal, según normas establecidas para instalaciones eléctricas de baja tensión.

Para trabajar con la máquina, utilizar siempre gafas de protección, guantes, calzado de seguridad antideslizante, así como es recomendable usar protectores auditivos.

Desconecte siempre el enchufe antes de llevar a cabo cualquier trabajo en la máquina.

Enchufar la máquina a la red solamente en posición desconectada.

Mantener siempre el cable separado del radio de acción de la máquina.

Antes de empezar a trabajar compruebe si está dañada la máquina, el cable o el enchufe. Las reparaciones sólo se llevarán a cabo por Agentes de Servicio autorizados.

En cortes manuales ni se puede ni se debe enclavar el interruptor de forma fija, para prevenir accidentes.

El polvo que se produce durante estos trabajos puede ser nocivo a la salud; es por ello es aconsejable que no penetre al cuerpo. Utilice por ello una máscara protectora contra polvo.

## APLICACIÓN DE ACUERDO A LA FINALIDAD

La sierra circular se puede usar para cortes rectilíneos en madera, plástico y aluminio.

No utilice este producto para ninguna otra aplicación que no sea su uso normal.

## DECLARACION DE CONFORMIDAD CE

Declaramos bajo nuestra sola responsabilidad que este producto está en conformidad con las normas o documentos normalizados siguientes. EN 60745, EN 55014-1, EN 55014-2, EN 61000-3-2, EN 61000-3-3, EN 61000-3-3, de acuerdo con las regulaciones 98/37/CE, 2004/108/CE



Winnenden, 2009-04-14

Rainer Kumpf  
Manager Product Development

## CONEXIÓN ELÉCTRICA

Conectar solamente a corriente AC monofásica y sólo al voltaje indicado en la placa de características. También es posible la conexión a enchufes sin toma a tierra, dado que es conforme a la Clase de Seguridad II

## MANTENIMIENTO

Las ranuras de ventilación de la máquina deben estar despejadas en todo momento.

Utilice solamente accesorios y repuestos Milwaukee. En caso de necesitar reemplazar componentes no descritos, contacte con cualquiera de nuestras estaciones de servicio Milwaukee (consultar lista de servicio técnicos)

En caso necesario, puede solicitar un despiece de la herramienta. Por favor indique el número de impreso de diez dígitos que hay en la etiqueta y pida el despiece a la siguiente dirección: Milwaukee Electric Tool, Max-Eyth-Straße 10, D-71364 Winnenden, Germany.

## SÍMBOLOS



Lea las instrucciones detenidamente antes de conectar la herramienta



Desconecte siempre el enchufe antes de llevar a cabo cualquier trabajo en la máquina.



Accesorio - No incluido en el equipo estándar, disponible en la gama de accesorios.



¡No deseché los aparatos eléctricos junto con los residuos domésticos! De conformidad con la Directiva Europea 2002/96/CE sobre residuos de aparatos eléctricos y electrónicos y su aplicación de acuerdo con la legislación nacional, las herramientas eléctricas cuya vida útil haya llegado a su fin se deberán recoger por separado y trasladar a una planta de reciclaje que cumpla con las exigencias ecológicas.



## CARACTERÍSTICAS TÉCNICAS

Potência absorvida nominal	1050 W
Nº de rotações em vazio	5100 min <sup>-1</sup>
Ø de disco x Ø da furação	165 x 30 mm
Profundidade de corte máx. a 90°	56 mm
Profundidade de corte máx. a 45°	37 mm
Peso sem cabo de ligação à rede	3,7 kg

### Informações sobre ruído/vibração

Valores de medida de acordo com EN 60 745.

O nível de ruído avaliado A do aparelho é tipicamente:

Nível da pressão de ruído (K=3dB(A))	95 dB(A)
Nível da potência de ruído (K=3dB(A))	106 dB(A)

### Use protectores auriculares!

Valores totais de vibração (soma dos vectores das três direcções) determinadas conforme EN 60745.

Valor de emissão de vibração a <sub>h</sub>	< 2,5 m/s <sup>2</sup>
Incerteza K	1,5 m/s <sup>2</sup>

## ATENÇÃO

O nível vibratório indicado nestas instruções foi medido em conformidade com um procedimento de medição normalizado na EN 60745 e pode ser utilizado para comparar entre si ferramentas eléctricas. O mesmo é também adequado para avaliar provisoriamente o esforço vibratório.

O nível vibratório indicado representa as principais aplicações da ferramenta eléctrica. Se, no entanto, a ferramenta eléctrica for utilizada para outras aplicações, com outras ferramentas adaptadas ou uma manutenção insuficiente, o nível vibratório poderá divergir. Isto pode aumentar consideravelmente o esforço vibratório ao longo de todo o período do trabalho.

Para uma avaliação exacta do esforço vibratório devem também ser considerados os tempos durante os quais o aparelho está desligado ou está a funcionar, mas não está efectivamente a ser utilizado. Isto pode reduzir consideravelmente o esforço vibratório ao longo de todo o período do trabalho.

Defina medidas de segurança suplementares para proteger o operador do efeito das vibrações, como por exemplo: manutenção da ferramenta eléctrica e das ferramentas adaptadas, manter as mãos quentes, organização das seqüências de trabalho.

**⚠ ATENÇÃO! Leia todas as instruções de segurança e todas as instruções, também aquelas que constam na brochura juntada.** O desrespeito das advertências e instruções apresentadas abaixo pode causar choque eléctrico, incêndio e/ou graves lesões.  
**Guarde bem todas as advertências e instruções para futura referência.**

## INSTRUÇÕES DE SEGURANÇA

**⚠ PERIGO: Mantenha as mãos afastadas da área de corte e da lâmina de corte. Mantenha a sua outra mão segurando o punho adicional ou a carcaça do aparelho.** Se ambas as mãos segurarem a serra circular, estas não poderão ser lesadas pela lâmina de serra.

**Não toque em baixo da peça a ser trabalhada.** A capa de protecção não pode proteger contra a lâmina de serra sob a peça a ser trabalhada.

**Adaptar a profundidade de corte à espessura da peça a ser trabalhada.** Deveria estar visível por aproximadamente menos do que uma altura de dente abaixo da peça a ser trabalhada.

**Jamais segure a peça a ser trabalhada na mão ou sobre a perna. Fixar a peça a ser trabalhada sobre uma base firme.** É importante, fixar bem a peça a ser trabalhada, para minimizar o risco de contacto com o corpo, emperramento da lâmina de serra ou perda de controle.

**Sempre segure o aparelho pelas superfícies de pega isoladas ao efectuar trabalhos, durante os quais a ferramenta de corte possa entrar em contacto com cabos eléctricos escondidos ou com o cabo do aparelho.** O contacto com um cabo com tensão também põe as partes metálicas do aparelho sob tensão e leva a choque eléctrico.

**Utilize sempre um esbarro ou um guia de cantos recto para efectuar cortes longitudinais.** Isto melhora a exactidão de corte e reduz a probabilidade da lâmina de serra emperrar.

**Utilize sempre lâminas de serra com o tamanho correcto e com orifício de admissão de forma apropriada (p.ex. em forma de estrela ou redonda).** Lâminas de serra que não servem para as peças de montagem da serra, não giram irregularmente e levam à perda do controle.

**Jamais utilizar arruelas planas ou parafusos de lâminas de serra danificados ou não apropriados.** As arruelas planas e os parafusos foram construídos especialmente para a sua serra, para uma potência otimizada e segurança operacional.

Causa e prevenção contra um contra-golpe:

- um contra-golpe é uma reacção repentina devido a uma lâmina de serra enganchada, emperrada ou incorrectamente alinhada, que faz com que uma serra descontrolada saia da peça as ser trabalhada e se movimente no sentido da pessoa a operar o aparelho;

- Se a lâmina de serra engancha ou emperra na fenda de corte, esta é bloqueada, e a força do motor golpea o aparelho no sentido do operador;

- se a lâmina de serra for torcida ou incorrectamente alinhada no corte, é possível que os dentes do canto posterior da lâmina de serra se engatem na superfície da peça a ser trabalhada, de modo que a lâmina de serra se movimente para fora da fenda de corte e pule de volta para a pessoa a operar o aparelho.

Um contra-golpe é o resultado de uma utilização errada ou incorrecta da serra. Ele pode ser evitado com apropriadas medidas de precaução, como descrito a seguir.

**Segurar a serra firmemente com ambas as mãos e mantenha os braços numa posição, na qual é capaz de suportar as forças de uma contra-golpe. Posicione-se sempre na lateral da lâmina de serra, jamais colocar a lâmina de serra numa linha com o seu corpo.** No caso de um contra-golpe, a serra circular pode pular para trás, no entanto o operador será capaz de dominar a força do contra-golpe se tiver tomado medidas de precaução.

**Se a lâmina de serra engancha ou se o processo de serra for interrompido por qualquer outro motivo, deverá soltar o interruptor de ligar-desligar e segurar a serra imóvel na peça a ser trabalhada, até a lâmina de serra parar completamente. Não tente jamais remover a lâmina de serra da peça a ser trabalhada ou puxá-la para trás, enquanto a lâmina ainda estiver em movimento ou enquanto puder ocorrer um contra-golpe.** Encontrar a causa pela qual a lâmina de serra está enganchada e eliminar a causa através de medidas apropriadas.

**Se desejar reacconar uma serra que se encontra na peça a ser trabalhada, deverá centrar a lâmina de serra na fenda de serra e controlar se os dentes da serra não engate na peça a ser trabalhada.** Se a lâmina de serra emperrar, poderá movimentar-se para fora da lâmina de serra ou causar um contra-golpe logo que a serra for reacconada.

**Placas grandes devem ser apoiadas, para reduzir o risco de um contra-golpe devido a uma lâmina de serra emperrada.** Placas grandes podem curvar-se devido ao seu próprio peso.

Placas devem ser apoiadas em ambos os lados, tanto nas proximidades da fenda de corte, assim como na borda.

**Não utilizar lâminas de serra obtusas ou danificadas.**

Lâminas de serra obtusas ou desalinhas causam devido a uma fenda de corte demasiado estreita, uma fricção elevada, emperramento da lâmina de serra e contra-golpes.

**Antes de serrar, deverá apertar os ajustes de profundidade de corte e de ângulo de corte.** Se os ajustes se alterarem durante o processo de corte, é possível que a lâmina de serra seja emperrada e que ocorra um contra-golpe.

**Tenha especialmente cuidado, ao efectuar um “Corte de imersão” numa área escondida, p.ex. uma parede existente.** A lâmina de serra mergulhada pode bloquear-se em objetos escondidos ao serrar e causar um contra-golpe.

**Controlar antes de cada utilização, se a capa de protecção inferior fecha perfeitamente. Não utilize a serra se a capa de protecção inferior não se movimentar livremente e não se fechar imediatamente. Jamais prender ou amarrar a capa de protecção na posição aberta.** Se a serra cair inesperadamente no chão, é possível que a capa de protecção inferior seja entortada. Abrir a capa de protecção com a alavanca para puxar para trás, e assegurar que se movimente livremente e não entre em contacto com a lâmina de serra nem com outras partes ao efectuar todos os tipos de cortes angulares e em todas profundidades de corte.

**Controlar a função da mola para a capa de protecção inferior. Permite que seja efectuada uma manutenção do aparelho antes de utilizá-lo, se a capa de protecção inferior e a mola não estiverem funcionando perfeitamente.** Peças danificadas, resíduos aderentes ou acumulações de aparas fazem com que a capa de protecção inferior trabalhe com atraso.

**Só abrir a capa de protecção inferior manualmente em certos tipos de corte, como “Cortes de imersão e cortes angulares”. Abrir a capa de protecção inferior com uma alavanca para puxar para trás e soltar, logo que a lâmina de serra tenha entrado na peça a ser trabalhada.** Em todos os outros trabalhos de serra é necessário que a capa de protecção inferior trabalhe automaticamente.

**Não depositar a serra sobre a bancada de trabalho nem sobre o chão, sem que a capa de protecção inferior encubra a lâmina de serra.** Uma lâmina de serra não utilizada, e em movimento por inércia, movimenta a lâmina no sentido contrário do corte e serra tudo que estiver no seu caminho. Observe o tempo de movimento de inércia da serra.

É inadmissível a utilização de discos de serra que não correspondam às características especificadas nestas instruções de serviço.

**Sempre use a protecção dos ouvidos.** A influência de ruídos pode causar surdez.

É favor não instalar discos de lixar!

Aparelhos não estacionários, utilizados ao ar livre, devem ser protegidos por um disjuntor de corrente de defeito.

Usar sempre óculos de protecção ao trabalhar com a máquina. Recomenda-se a utilização de luvas de protecção, protectores para os ouvidos e máscara anti-poeiras.

Antes de efectuar qualquer intervenção na máquina, tirar a ficha da tomada.

Ao ligar à rede, a máquina deve estar desligada.

Mantém sempre o cabo de ligação fora da zona de acção da máquina.

Antes de cada utilização inspeccionar a máquina, o cabo de ligação a extensão e quanto a danos e desgaste. A máquina só deve ser reparada por um técnico especializado.

Não bloquear o interruptor quando a máquina for conduzida à mão.

O pó que resulta ao trabalhar pode ser nocivo para a saúde, por isso não devendo penetrar no corpo. Use uma máscara de protecção contra pó apropriada.

## UTILIZAÇÃO AUTORIZADA

A serra circular manual efectua cortes precisos à esquadria e à meia esquadria em madeira e plástico.

Não use este produto de outra maneira sem ser a normal para a qual foi concebido.

## DECLARAÇÃO DE CONFORMIDADE CE

Declaramos, sob nossa exclusiva responsabilidade, que este produto cumpre as seguintes normas ou documentos normativos: EN 60745, EN 55014-1, EN 55014-2, EN 61000-3-2, EN 61000-3-3, EN 61000-3-3, conforme as disposições das directivas 98/37/CE, 2004/108/CE



Winnenden, 2009-04-14

Rainer Kumpf  
Manager Product Development

## LIGAÇÃO À REDE

Só conectar à corrente alternada monofásica e só à tensão de rede indicada na placa de potência. A conexão às tomadas de rede sem contacto de segurana também é possível, pois trata-se duma construção da classe de protecção II.

## MANUTENÇÃO

Mantém desobstruídos os rasgos de ventilação na carcaça da máquina.

Utilizar apenas acessórios Milwaukee e peças sobresselentes Milwaukee. Os componentes cuja substituição não esteja descrita devem ser substituídos num serviço de assistência técnica Milwaukee (consultar a brochura relativa à garantia/moradas dos serviços de assistência técnica).

A pedido e mediante indicação da referência de dez números que consta da chapa de características da máquina, pode requerer-se um desenho explosivo da ferramenta eléctrica a: Milwaukee Electric Tool, Max-Eyth-Straße 10, D-71364 Winnenden, Germany.

## SYMBOLS



Leia atentamente o manual de instruções antes de colocar a máquina em funcionamento.



Antes de efectuar qualquer intervenção na máquina, tirar a ficha da tomada.



Acessório - Não incluído no equipamento normal, disponível como acessório.



Não deite ferramentas eléctricas no lixo doméstico! De acordo com a directiva europeia 2002/96/CE sobre ferramentas eléctricas e electrónicas usadas e a transposição para as leis nacionais, as ferramentas eléctricas usadas devem ser recolhidas em separado e encaminhadas a uma instalação de reciclagem dos materiais ecológica.

## TECHNISCHE GEGEVENS

Nominaal afgegeven vermogen.....	1050 W
Onbelast toerental .....	5100 min <sup>-1</sup>
Zaagblad ø x boring ø .....	165 x 30 mm
Max. schroefdiepte bij 90° .....	56 mm
Max. schroefdiepte bij 45° .....	37 mm
Gewicht, zonder snoer.....	3,7 kg

### Geluids-/trillingsinformatie

Meetwaarden vastgesteld volgens EN 60745.

Het kenmerkende A-gewogen geluidsniveau van de machine bedraagt:

Geluidsdruk niveau (K = 3 dB(A)) .....	95 dB(A)
Geluidsvermogen niveau (K = 3 dB(A)) .....	106 dB(A)

### Draag oorbeschermers!

Totale trillingswaarden (vectorsom van drie richtingen) bepaald volgens EN 60745.

Trillingsemissiewaarde a <sub>h</sub> .....	< 2,5 m/s <sup>2</sup>
Onzekerheid K.....	1,5 m/s <sup>2</sup>

## WAARSCHUWING

De in deze aanwijzingen vermelde trillingsdruk is gemeten volgens een in EN 60745 genomene meetmethode en kan worden gebruikt voor de onderlinge vergelijking van apparaten. Hij is ook geschikt voor een voorlopige inschatting van de trillingsbelasting.

De aangegeven trillingsdruk geldt voor de meest gebruikelijke toepassingen van het elektrische apparaat. Wanneer het elektrische gereedschap echter voor andere doeleinden, met andere dan de voorgeschreven hulpstukken gebruikt of niet naar behoren onderhouden wordt, kan de trillingsdruk afwijken. Dit kan de waarde van de trillingsdruk over de hele werkperiode aanzienlijk verhogen.

Voor een nauwkeurige inschatting van de trillingsdruk moeten ook de tijden in aanmerking worden genomen dat het apparaat uitgeschakeld is of weliswaar loopt, maar niet werkelijk in gebruik is. Dit kan de waarde van de trillingsdruk over de hele werkperiode aanzienlijk verminderen.

Bepaal extra veiligheidsmaatregelen ter bescherming van de bediener tegen de inwerking van trillingen, bijvoorbeeld: onderhoud van elektrische gereedschappen en apparaten, warmhouden van de handen, organisatie van de werkprocessen.

**⚠ WAARSCHUWING! Lees alle veiligheidsinstructies en aanwijzingen door - ook die in de bijgeleverde brochure. Als de waarschuwingen en voorschriften niet worden opgevolgd, kan dit een elektrische schok, brand of ernstig letsel tot gevolg hebben.**

**Bewaar alle waarschuwingen en voorschriften voor toekomstig gebruik.**

## VEILIGHEIDSADVIEZEN

**⚠ GEVAAR: Houd uw handen uit de buurt van de zaagomgeving en het zaagblad. Houd met uw andere hand de extra handgreep of het motorhuis vast.** Als u de cirkelzaag met beide handen vasthoudt, kan het zaagblad deze niet verwonden.

**Grijp niet onder het werkstuk.** De beschermkap kan u onder het werkstuk niet tegen het zaagblad beschermen.

**Pas de zaagdiepte aan de dikte van het werkstuk aan.** Er dient minder dan een volledige tandhoogte onder het werkstuk zichtbaar te zijn.

**Houdt het te zagen werkstuk nooit in uw hand of op uw been vast. Zet het werkstuk op een stabiele ondergrond vast.** Het is belangrijk om het werkstuk goed te bevestigen om het gevaar van contact met het lichaam, vastklemmen van het zaagblad of verlies van de controle te minimaliseren.

**Houd de machine alleen aan de geïsoleerde greepvlakken vast als u werkzaamheden uitvoert waarbij het zaagblad verborgen stroomleidingen of de eigen machinekabel kan raken.** Het contact met een onder spanning staande leiding zet ook de metalen machinedelen onder spanning en leidt tot een elektrische schok.

**Gebruik bij het schuipen altijd een aanslag of een rechte randgeleiding.** Dit verbetert de zaagnauwkeurigheid en verkleint de mogelijkheid dat het zaagblad vastklemt.

**Gebruik altijd zaagbladen met de juiste maat en vorm (stervormig of rond) van het opnameboorgat.** Zaagbladen die niet bij de montagegedelen van de zaagmachine passen, lopen niet rond en leiden tot het verliezen van de controle.

**Gebruik nooit beschadigde of verkeerde onderleggringen of schroeven voor het zaagblad.** De onderleggringen en schroeven voor het zaagblad zijn speciaal geconstrueerd voor deze zaagmachine, voor optimaal vermogen en optimale bedrijfszekerheid.

Oorzaken en voorkoming van een terugslag:

- een terugslag is de plotselinge reactie als gevolg van een vasthakend, klemmend of verkeerd gericht zaagblad, die ertoe leidt dat een ongecontroleerde zaagmachine uit het werkstuk omhoogkomt en in de richting van de bedienende persoon beweegt;

- als het zaagblad in de zich sluitende zaagopening vasthaakt of vastklemt, wordt het geblokkeerd en slaat de motor kracht de machine in de richting van de bedienende persoon terug;

- als het zaagblad in de zaagopening wordt gedraaid of verkeerd wordt gericht, kunnen de tanden van de achterste zaagbladrand in het oppervlak van het werkstuk vasthaken, waardoor het zaagblad uit de zaagopening beweegt en achteruitspringt in de richting van de bedienende persoon.

Een terugslag is het gevolg van het verkeerd gebruik of onjuiste gebruiksomstandigheden van de zaagmachine. Terugslag kan worden voorkomen door geschikte voorzorgsmaatregelen, zoals hieronder beschreven.

**Houd de zaagmachine met beide handen vast en houd uw armen zo dat u stand kunt houden ten opzichte van de terugslagkrachten. Blijf altijd opzij van het zaagblad en breng het zaagblad nooit in één lijn met uw lichaam.** Bij een terugslag kan de cirkelzaag achteruit springen. De bedienende persoon kan de terugslagkrachten echter beheersen wanneer geschikte maatregelen zijn getroffen.

**Als het zaagblad vastklemt of het zagen om een andere reden wordt onderbroken, laat u de aan/uit-schakelaar los en houd u de zaagmachine in het materiaal rustig tot het zaagblad volledig stilstaat. Probeer nooit om de zaagmachine uit het werkstuk te verwijderen of de machine achteruit te trekken zolang het zaagblad beweegt of een terugslag kan optreden.** Spoor de oorzaak van het klemmen van het zaagblad op en verwijder deze door geschikte maatregelen.

**Als u een zaagmachine die in het werkstuk steekt weer wilt starten, centreert u het zaagblad in de zaagopening en controleert u of de zaagtanden niet in het werkstuk zijn vastgehaakt.** Als het zaagblad klemt, kan het uit het werkstuk bewegen of een terugslag veroorzaken als de zaagmachine opnieuw wordt gestart.

**Ondersteun grote platen om het risico van een terugslag door een klemmend zaagblad te verminderen.** Grote platen kunnen onder hun eigen gewicht doorbuigen. Platen moeten aan beide zijden worden ondersteund, in de buurt van de zaagopening en aan de rand.

### Gebruik geen stompe of beschadigde zaagbladen.

Zaagbladen met stompe of verkeerd gerichte tanden veroorzaken door een te nauwe zaagopening een verhoogde wrijving, vastklemmen van het zaagblad of terugslag.

**Draai voor het zagen de instellingen voor de zaagdiepte en de zaaghoek vast.** Als tijdens het zagen de instellingen veranderen, kan het zaagblad vastklemmen kan een terugslag optreden.

**Wees bijzonder voorzichtig als u invallend zaagt in een verborgen gedeelte, bijvoorbeeld een bestaande wand.** Het invallende zaagblad kan bij het zagen in verborgen objecten blokkeren en een terugslag veroorzaken.

**Controleer voor elk gebruik of de onderste beschermkap correct sluit. Gebruik de zaagmachine niet als de onderste beschermkap niet vrij kan bewegen en niet onmiddellijk sluit. Klem of bind de onderste beschermkap nooit in de geopende stand vast.** Als de zaagmachine op de vloer valt, kan de onderste beschermkap worden verborgen. Open de beschermkap met de terugtrekhandel en controleer dat deze vrij beweegt en bij alle zaaghoeken en zaagdiepten het zaagblad of andere delen niet aanraakt.

**Controleer de functie van de veer voor de onderste beschermkap. Laat voor het gebruik van de machine onderhoud uitvoeren als de onderste beschermkap en de veer niet correct werken.** Beschadigde delen, plakken aanslag of ophoping van spanen laten de onderste beschermkap vertraagd werken.

**Open de onderste beschermkap alleen met de hand bij bijzondere zaagwerkzaamheden, zoals invallend zagen en haaks zagen. Open de onderste beschermkap met de terugtrekhandel en laat deze los zodra het zaagblad in het werkstuk is binnengedrongen.** Bij alle andere zaagwerkzaamheden moet de onderste beschermkap automatisch werken.

**Leg de zaagmachine niet op de werkbank of op de vloer zonder dat de onderste beschermkap het zaagblad bedekt.** Een onbeschermd uitlopend zaagblad beweegt de zaagmachine tegen de zaagrichting en zaagt wat er in de weg komt. Let op de uitlooptijd van de zaagmachine.

Zaagbladen, waarvan de gegevens niet overeenkomen welke in de gebruiksaanwijzing staan, mogen niet gebruikt worden.

**Draag oorbeschermers.** Blootstelling aan geluid kan het gehoor beschadigen.

Geen schuurschijven plaats!

Verplaatsbaar gereedschap moet bij het gebruik buiten aan een aardlekschakelaar aangesloten worden.

Bij het werken met de machine altijd een veiligheidsbril dragen. Werkhandschoenen en stofkapje voor de mond worden aanbevolen.

Voor alle werkzaamheden aan de machine de stekker uit de kontaktdoos trekken.

Machine alleen uitgeschakeld aan het net aansluiten.

Snoer altijd buiten werkbereik van de machine houden.

Voor alle ombouw- of onderhoudswerkzaamheden, de stekker uit de wandkontaktdoos nemen.

Bij niet stationair gebruik de aan-uitschakelaar niet vastzetten.

Het gedurende het werken vrijkomende stof is doorgaans schadelijk voor de gezondheid en mag niet met het lichaam in aanraking komen. Draag derhalve een geschikt stofbeschermingsmasker.

## VOORGESCHREVEN GEBRUIK VAN HET SYSTEEM

De cirkelzaag is geschikt voor rechte zaagsnedes in hout, kunststof en aluminium.

Dit apparaat uitsluitend gebruiken voor normaal gebruik, zoals aangegeven.

## EC - VERKLARING VAN OVEREENSTEMMING

Wij verklaren dat dit produkt voldoet aan de volgende normen of normatieve documenten: EN 60745, EN 55014-1, EN 55014-2, EN 61000-3-2, EN 61000-3-3, EN 61000-3-3, overeenkomstig de bepalingen van de richtlijnen 98/37/EG, 2004/108/EG



Winnenden, 2009-04-14

Rainer Kumpf  
Manager Product Development

## NETAANSLUITING

Uitsluitend op éénfase-wisselstroom en uitsluitend op de op het typeplaatje aangegeven netspanning aansluiten. Aansluiting is ook mogelijk op een stekerdoos zonder aardcontact mogelijk, omdat het is ontworpen volgens veiligheidsklasse II.

## ONDERHOUD

Altijd de luchtspleten van de machine schoonhouden.

Gebruik uitsluitend Milwaukee toebehoren en onderdelen. Indien componenten die moeten worden vervangen niet zijn beschreven, neem dan contact op met een officieel Milwaukee servicecentrum (zie onze lijst met servicecentra).

Onder vermelding van het tiencijferige nummer op het machineplaatje is desgewenst een doorsnedetekening van de machine verkrijgbaar bij: Milwaukee Electric Tool, Max-Eyth-Strasse 10, D-71364 Winnenden, Germany.

## SYMBOLEN



Graag instructies zorgvuldig doorlezen vóórdat u de machine in gebruik neemt.



Voor alle werkzaamheden aan de machine de stekker uit de kontaktdoos trekken.



Toebehoren - Wordt niet meegeleverd. Is apart leverbaar. Zie hiervoor het toebehorenprogramma.



Geef elektrisch gereedschap niet met het huisvuil mee! Volgens de Europese richtlijn 2002/96/EG inzake oude elektrische en elektronische apparaten en de toepassing daarvan binnen de nationale wetgeving, dient gebruikt elektrisch gereedschap gescheiden te worden ingezameld en te worden afgevoerd naar een recycle bedrijf dat voldoet aan de geldende milieueisen.



## TEKNISKE DATA

Nominel optagen effekt.....	1050 W
Omdrejningstal, ubelastet.....	5100 min <sup>-1</sup>
Savklinge-ø x hul-ø.....	165 x 30 mm
Skæredybde max ved 90°.....	56 mm
Skæredybde max ved 45°.....	37 mm
Vægt uden netledning.....	3,7 kg

## Støj/Vibrationsinformation

Måleværdier beregnes iht. EN 60 745.

Værktøjets A-vurderede støjniveau er typisk:

Lydtrykniveau (K = 3 dB(A)).....	95 dB(A)
Lydføle niveau (K = 3 dB(A)).....	106 dB(A)

## Brug høreværn!

Samlede vibrationsværdier (værdisum for tre retninger) beregnet iht. EN 60745.

Vibrationseksponering an.....	< 2,5 m/s <sup>2</sup>
Usikkerhed K.....	1,5 m/s <sup>2</sup>

## ADVARSEL

Svingningsniveauet, som er angivet i disse anvisninger, er målt i henhold til standardiseret måleprocedure ifølge EN 60745 og kan anvendes til indbyrdes sammenligning mellem el-værktøjer. Svingningsniveauet er ligeledes egnet som foreløbigt skøn over svingningsbelastningen.

Det angivne svingningsniveau er baseret på el-værktøjets primære anvendelsesformål. Hvis el-værktøjet benyttes til andre formål, med andet indsatsværktøj eller ikke vedligeholdes tilstrækkeligt, kan svingningsniveauet afvige. Dette kan øge svingningsbelastningen over den samlede arbejdsperiode betydeligt.

For en nøjagtig vurdering af svingningsbelastningen skal der også tages højde for de tidsperioder, hvor apparatet er slukket, eller hvor apparatet kører, men uden at være i anvendelse. Dette kan reducere svingningsbelastningen over den samlede arbejdsperiode betydeligt.

Supplerende sikkerhedsforanstaltninger til beskyttelse af brugeren mod påvirkninger fra svingninger skal iværksættes, f.eks.:

Vedligeholdelse af el-værktøj og indsatsværktøj, varmholdelse af hænder, organisering af arbejdsprocesser.

**⚠ ADVARSEL! Læs alle sikkerhedsanvisninger og øvrige vejledninger, også i den vedlagte brochure.** I tilfælde af manglende overholdelse af advarselshenvisningerne og instrukserne er der risiko for elektrisk stød, brand og/eller alvorlige kvæstelser.  
**Opbevar alle advarselshenvisninger og instrukser til senere brug.**

## SIKKERHEDSHENVISNINGER

**⚠ FARE: Stik aldrig hånden ind i skærområdet eller ind til savklingen. Tag fat om støttegrebet eller motorhuset med den anden hånd.** Når man holder rundsaven med begge hænder, kan man ikke komme til at skære fingrene på klingens. **Stik aldrig hånden ind under arbejdsemnet.** Beskyttelseskærmen giver ingen beskyttelse mod klingens på emnets underside.

**Tilpas skæredybden efter arbejdsemnets tykkelse.** Der må maksimalt være en hel tandhøjde synlig under emnet.

**Hold aldrig et arbejdsemne i hånden eller over et knæ, når der skal saves i det. Emnet skal sikres på et stabilt underlag.** Det er vigtigt at emnet er gjort godt fast, for at minimere risikoen for at komme til at save sig selv og for at klingens sætter sig fast eller kommer ud af kontrol.

**Hold altid kun fast på maskinen på de isolerede håndtagsflader, når der skal saves i emner, hvor der er risiko for at skæreværktøjet kan komme i kontakt med strømførende ledninger eller apparatets eget kabel.** Ved kontakt med en strømførende ledning står metaldele på maskinen også under spænding og giver et elektrisk stød.

**Anvend altid et anslag eller et lige landstyr ved skæring på langs.** Det vil forbedre skærepræcisionen og reducere muligheden for, at savklingen kan sætte sig fast.

**Anvend altid en savklinge i den rigtige størrelse og med det passende spændehul (f.eks. stjerneformet eller rund).** Savklinger, der ikke passer til monteringsdele på saven, vil køre ujævnt og kan nemt få maskinen til at gå ud af kontrol.

**Anvend aldrig beskadigede eller forkerte underlagsskiver eller skruer til savklingen.** Underlagsskiver og skruer til savklinger bliver konstrueret specielt til den enkelte sav, så man opnår optimal ydelse og driftssikkerhed.

Årsager til og undgåelse af kast (kickback):

- kast betyder en pludselig reaktion på grund af at savklingen er klemt fast, sætter sig fast eller er monteret forkert, og som

**Vær især forsigtig, hvis der skal udføres et „dyksnit“ i et uoverskueligt område, f.eks. i en eksisterende væg.** Savklingen, der skal dykke ned, kan blive blokeret i skjulte genstande og give kast.

**Kontroller først, om den nederste beskyttelseskappe lukker korrekt, hver gang maskinen skal bruges. Anvend aldrig saven, hvis den nederste beskyttelseskappe ikke kan bevæges frit og ikke lukker sig øjeblikkeligt. Den nederste beskyttelseskappe må aldrig klemmes eller bindes fast i åbent stilling.** Hvis saven falder ned ved et uheld, kan den nederste beskyttelseskappe blive bøjet. Åbn beskyttelseskappen med tilbagestrækshåndtaget og overbevis Dem om, at den kan bevæges frit og hverken berører savklingen eller andre dele ved alle skærevinkler og -dybder.

**Kontroller af fjedrene til den nederste beskyttelseskappe fungerer ordentlig. Få udført service på maskinen, før den bruges igen, hvis den nederste beskyttelseskappe og fjederen ikke fungerer korrekt.** Den nederste beskyttelseskappe kan gå trægt, hvis der er beskadigede dele, klæbrige rester eller

**Den nederste beskyttelseskappe må kun åbnes manuelt i forbindelse med specielle snit, f.eks. „dyk – og vinkelsnit“.** Åbn den nederste beskyttelseskappe med tilbagestrækshåndtaget og slip håndtaget igen, så snart savklingen er trængt ned i arbejdsemnet. Ved alle andre former for savning skal den nederste beskyttelseskappe fungere automatisk.

**Læg aldrig saven fra Dem på et arbejdsbord eller på jorden, uden at den nederste beskyttelseskappe dækker savklingen.** En ubeskyttet savklinge med efterløb vil få saven til at flytte sig baglæns og vil save i alting, der kommer i vejen for den. Derfor er det vigtigt at holde øje med savens efterløbstid.

Savklinger, som ikke svarer til data i denne brugsanvisning, må ikke anvendes.

**Bær høreværn.** Støjpåvirkning kan påvirke tab af hørelse.

Slibeskraper må ikke indsættes

Stikdåser udendørs skal være forsynet med fejlstrømssikringskontakter. Det forlanger installationsforskriften for Deres elektroanlæg. Overhold dette, når De bruger vores maskiner.

Når der arbejdes med maskinen, skal man have beskyttelsesbriller på. Beskyttelseshandsker, skridsikre sko, høreværn og forklæde anbefales.

Før ethvert arbejde ved maskinen skal stikket tages ud af stikdåsen.

Maskinen slutes kun udkoblet til stikdåsen.

Tilslutningskablet holdes hele tiden væk fra maskinens arbejdsområde. Kablet ledes altid bort bag om maskinen.

Kontroller hvergang, før laderen anvendes, at tilslutningskabel, forlængerledning og stik er i orden. Dele der er beskadiget bør kun repareres hos et autoriseret værksted.

Ind-/udkobler blokeres ikke i manuel drift.

Støv, som opstår under arbejdet, er ofte sundhedsfarligt og bør ikke trænge ind i kroppen. Benyt egnet åndedrætsværn.

## TILTÆNKT FORMÅL

Håndrundsaven kan bruges til savning af lige snit i træ, kunststof og aluminium.

Produktet må ikke anvendes på anden måde og til andre formål end foreskrevet.

## CE-KONFORMITETSERKLÆRING

Vi erklærer under almindeligt ansvar, at dette produkt er i overensstemmelse med følgende normer eller norma-tive dokumenter. EN 60745, EN 55014-1, EN 55014-2, EN 61000-3-2, EN 61000-3-3, EN 61000-3-3, i henhold til bestemmelserne i direktiverne 98/37/EF, 2004/108/EF



Winnenden, 2009-04-14

Rainer Kumpf  
Manager Product Development

## NETTILSLUTNING

Tilslutning må kun foretages til enfaset vekselstrøm og kun til en netspænding, som er i overensstemmelse med angivelsen på mærkepladen. Tilslutning kan også ske til stikdåser uden beskyttelseskontakt, da kapslingsklasse II foreligger.

## VEDLIGEHOLDELSE

Hold altid maskinens ventilationsåbninger rene.

Brug kun Milwaukee-tilbehør og Milwaukee-reservedele. Komponenter, hvor udskiftningsproceduren ikke er beskrevet, skal skiftes ud hos et Milwaukee-servicested (se brochure garanti/kundeserviceadresser).

Ved opgivelse af type nr. der er angivet på maskinens effektskilt, kan De rekvirere en reservedelstegning, ved henvendelse til: Milwaukee Electric Tool, Max-Eyth-Straße 10, D-71364 Winnenden, Germany.

## SYMBOLER



Læs brugsanvisningen nøje før ibrugtagning.



Før ethvert arbejde ved maskinen skal stikket tages ud af stikdåsen.



Tilbehør - Ikke inkluderet i leveringsomfanget, køb købes som tilbehør.



Elværktøj må ikke bortskaffes som almindeligt affald! I henhold til det europæiske direktiv 2002/96/EF om bortskaffelse af elektriske og elektroniske produkter og gældende national lovgivning skal brugt værktøj indsamles separat og bortskaffes på en måde, der skåner miljøet mest muligt.



## TEKNISKE DATA

Nominell inngangseffekt .....	1050 W
Tomgangsturtall .....	5100 min <sup>-1</sup>
Sagblad-ø x hull-ø .....	165 x 30 mm
Kuttedybde maks ved 90° .....	56 mm
Kuttedybde maks ved 45° .....	37 mm
Vekt uten nettkabel .....	3,7 kg

### Støy/Vibrasjonsinformasjon

Måleverdier fastslått i samsvar med EN 60 745.

Det typiske A-bedømte støynivået for maskinen er:

Lydtryknivå (K=3 dB(A)) .....	95 dB(A)
Lydefektnivå (K=3 dB(A)) .....	106 dB(A)

### Bruk hørselsvern!

Totale svingningsverdier (vektorsum fra tre retninger) beregnet jf. EN 60745.

Svingningsemisjonsverdi an .....	< 2,5 m/s <sup>2</sup>
Usikkerhet K .....	1,5 m/s <sup>2</sup>

### ADVARSEL

Svingningsnivået som er angitt i denne instruksjonen er målt i overensstemmelse med målemetoden normert i direktiv EN 60745 og kan brukes til å sammenligne elektromaskiner med hverandre. Den egner seg også for en foreløbig vurdering av svingningsbelastningen.

Det angitte svingningsnivået representerer de hovedsaklige bruk av elektroverktøyet. Men anvendes elektroverktøyet for andre bruk med avvikende utskiftbare verktøy eller vedlikeholdet er utilstrekkelig, kan svingningsnivået være avvikende.

Dette kan forhøye svingningsbelastning betydelig over hele arbeidsperioden. For en nøyaktig vurdering av svingningsbelastningen må også det tas hensyn til tiden apparatet er avslått eller står på, men ikke er i bruk. Dette kan redusere svingningsbelastningen betydelig over hele arbeidsperioden.

Innfør også ekstra sikkerhetstiltak for å beskytte bruker mot utvirkingen av svingningene. Disse kan f.eks. være: vedlikehold av elektroverktøyet og det utskiftbare verktøyet, holde hendene varme, organisasjon av arbeidsforløpet.

**⚠ ADVARSEL! Les alle sikkerhetsinstruksjoner og bruksanvisninger, også de i den vedlagte brosjyren.** Feil ved overholdelsen av advarslene og nedenstående anvisninger kan medføre elektriske støt, brann og/eller alvorlige skader. **Ta godt vare på alle advarslene og informasjonene.**

### SPESEIELLE SIKKERHETSHENVISNINGER

**⚠ FARE: Pass på at hendene ikke kommer inn i sagområdet og opp i sagbladet. Hold ekstrahåndtaket eller motorhuset fast med den andre hånden.** Når begge hendene holder sirkelsagen, kan sagbladet ikke skade hendene.

**Ikke grip under arbeidsstykket.** Verneedekelelet kan ikke beskytte deg mot sagbladet under arbeidsstykket.

**Tilpass skjæredybden til tykkelsen på arbeidsstykket.** Det skal være mindre enn en full tannhøyde synlig under arbeidsstykket.

**Hold aldri arbeidsstykket som skal sages fast med hånden eller over benet. Sikre arbeidsstykket på et stabilt underlag.** Det er viktig å feste arbeidsstykket godt for å minimere faren ved kroppskontakt, fastklemming av sagbladet eller hvis du mister kontrollen.

**Hold maskinen kun på de isolerte gripeflatene, hvis du utfører arbeid der skjæreverktøyet kan treffe på skjulte strømledninger eller den egne maskinledningen.** Kontakt med en spenningsførende ledning setter også maskinens metalldeler under spenning og fører til elektriske støt.

**Ved langsskjæring må du alltid bruke et anlegg eller en rett kantføring.** Dette forbedrer skjærenøyaktigheten og reduserer muligheten til at sagbladet klemmer.

**Bruk alltid sagblad med rett størrelse og med passende festehull (f.eks. stjerne-formet eller rund).** Sagblad som ikke passer sammen med sagens montasjedeler, går urundt og fører til tap av kontrollen.

Bruk aldri skadede eller gale sagblad-underlagsskiver eller -skruer. Sagblad-underlagsskivene og -skruene ble spesielt konstruert for denne sagen, slik at det oppnås en optimal ytelse og driftssikkerhet.

Årsaker til tilbakeslag og hvordan tilbakeslag kan unngås.

- Et tilbakeslag er en plutselig reaksjon fra et sagblad som har hengt seg opp, klemt seg fast eller er galt innrettet, og som fører til at en ukontrollert sag løftes opp og beveger seg ut av arbeidsstykket og i retning av brukeren.

- Hvis et sagblad henger seg opp eller klemmer seg fast i en sagespalte som lukkes, blokkerer sagen og motorkraften slår sagen tilbake i retning av brukeren.

- Hvis et sagblad dreies galt eller rettes galt opp i sagsnittet, kan tennene til bakre sagbladkant kile seg fast i overflaten til arbeidsstykket, slik at sagbladet beveger seg ut av sagespalten og sagen springer tilbake i retning av brukeren.

Et tilbakeslag er resultat av en gal eller feilaktig bruk av sagen. Det kan unngås ved å følge egnede sikkerhetstiltak som beskrevet nedenstående.

**Hold sagen godt fast og plasser armene dine i en stilling som kan ta imot tilbakeslagskrefter. Opphold deg alltid på siden av et sagblad, la aldri sagbladet være i en linje med kroppen din.** Ved et tilbakeslag kan sirkelsagen rykke bakover, men brukeren kan beherske tilbakeslagskreftene, hvis det ble utført egnede tiltak.

**Hvis et sagblad klemmer fast eller sagingen avbrytes av andre grunner må du slippe på-/av-bryteren og holde sagen rolig i materialet til sagbladet står helt stille. Forsøk aldri å fjerne sagen fra et arbeidsstykke eller trekke den bakover så lenge sagbladet beveger seg eller det kan oppstå et tilbakeslag.** Finn årsaken til at sagbladet er klemt fast og fjern denne årsaken med egnede tiltak.

**Hvis du vil starte en sag som står fast i arbeidsstykket igjen, senterer du sagbladet i sagespalten og kontrollerer om sagtennene ikke har kilt seg fast i arbeidsstykket.** Hvis sagbladet klemmer seg fast, kan det bevege seg ut av arbeidsstykket eller forårsake et tilbakeslag når sagen starter igjen.

**Støtt store plater for å redusere risikoen for tilbakeslag fra et fastklemt sagblad.** Store plater kan bøyes av sin egen vekt. Platene må støttes på begge sider, både i nærheten av sagespalten og på kanten.

**Bruk ikke butte eller skadede sagblad.** I en for smal sagespalte forårsaker sagblad med butte eller galt opprettede tenner stor friksjon, fastklemming av sagbladet eller tilbakeslag.

**Trekk fast skjæredybde- og skjærevinkelinnstillingene fast for sagingen.** Hvis innstillingene forandrer seg i løpet av sagingen, kan sagbladet klemmes fast og det kan oppstå et tilbakeslag.

**Vær spesielt forsiktig når du utfører en „innstikksaging“ i et skjult område, f.eks. en eksisterende vegg.** Det innstikkende sagbladet kan blokkere ved saging i skjulte objekter og forårsake et tilbakeslag.

**Før hver bruk må du kontrollere om det nedre verneedekelelet stenger helt. Ikke bruk sagen hvis det nedre verneedekelelet**

**ikke kan beveges fritt og ikke stenger straks. Klem og bind nedre verneedekelelet aldri fast i åpent posisjon.** Hvis sagen skulle falle ned på bakken ved en feiltagelse, kan det nedre verneedekelelet bøyes. Åpne verneedekelelet med tilbaketrekkingssarmen og pass på at det kan beveges fritt og ikke berører verken sagblad eller andre deler i alle skjærevinkler og -dybder.

**Kontroller fjærens funksjon for nedre verneedekelelet. La maskinen gjennomgå service før bruk, hvis nedre verneedekelelet og fjær ikke virker feilfritt.** Skadede deler, klebrige avleiringer eller sponhauger medfører at nedre verneedekelelet reagerer forsinket.

**Åpne det nedre verneedekelelet manuelt kun ved spesielle snitt, som „innstikk- og vinkelsnitt“.** Åpne det nedre verneedekelelet med tilbaketrekkingssarmen og slipp den når sagbladet er trengt inn i arbeidsstykket. Ved alle andre typer saging må det nedre verneedekelelet fungere automatisk.

**Legg ikke sagen på arbeidsbenken eller gulvet uten at nedre verneedekelelet dekker over sagbladet.** Et ubeskyttet sagblad som fortsatt roterer beveger sagen i motsatt retning av skjæreretningen og sager alt som er i veien. Ta hensyn til tiden sagen fortsatt roterer etter at den er slått av.

Ikke bruk sagblad som ikke er i tråd med egenskapene i denne bruksanvisningen.

**Bruk hørselsvern.** Støy kan føre til tap av hørselen

Bruk ikke slipeskiver.

Stikkontakter utendørs må være utstyrt med feilstrøm-sikkerhetsbryter. Dette forlanges av installasjonsforskriften for elektroanlegg. Vennligst følg dette når du bruker vårt apparat.

Bruk alltid vernebrille når du arbeider med maskinen. Det anbefales å bruke arbeidshansker, faste og sklisliske sko og forkle.

Trekk støpslet ut av stikkkontakten før du begynner arbeider på maskinen.

Maskinen må være slått av når den koples til stikkkontakten.

Hold ledningen alltid vekk fra maskinens virkeområde. Før ledningen alltid bakover fra maskinen.

Kontroller apparat, tilkoplingsledning, skjøteledning og støpsel for skader og aldri før bruk. La en fagmann reparere skadete deler.

På-/av-bryteren må ikke klemmes fast under håndholdt drift.

Støvet som oppstår ved arbeidet er ofte helsefarlig og skal ikke komme i kontakt med kroppen. Bruk derfor verneemaske som er egnet for støv.

### FORMALSMESSIG BRUK

Sirkelsagen kan brukes til saging av rette kutt i treverk, plast og aluminium.

Dette apparatet må kun brukes til de oppgitte formål.

### CE-SAMSVARSERKLÆRING

Vi erklærer på eget ansvar at dette produktet stemmer overens med de følgende normer eller normative dokumenter. EN 60745, EN 55014-1, EN 55014-2, EN 61000-3-2, EN 61000-3-3, EN 61000-3-3, i henhold til bestemmelsene i direktivene 98/37/EF, 2004/108/EF



Winnenden, 2009-04-14

Rainer Kumpf  
Manager Product Development

### NETTILKOPLING

Skal bare tilsluttes enfasevekselstrøm og bare til den på skiltet angitte nettspenning. Tilslutning til stikkontakter uten jordet kontakt er mulig fordi beskyttelse beskyttelsesklasse II er forhanden.

### VEDLIKEHOLD

Hold alltid lufteåpningene på maskinen rene.

Bruk kun Milwaukeee tilbehør og Milwaukeee reservedeler. Komponenter der utskifting ikke er beskrevet skal skiftes ut hos Milwaukeee kundeservice (se brosjyre garanti/ kundeserviceadresser).

Ved behov kan du be om en eksplosjonstegning av apparatet hos din kundeservice eller direkte hos Milwaukee Electric Tool, Max-Eyth-Straße 10, D-71364 Winnenden, Germany. Oppgi maskintype og det tilsirete nummeret på typeskiltet.

### SYMBOLER



Les nøye gjennom bruksanvisningen før maskinen tas i bruk.



Trekk støpslet ut av stikkkontakten før du begynner arbeider på maskinen.



Tilbehør - inngår ikke i leveransen, anbefalt komplettering fra tilbehørsprogrammet.



Kast aldri elektroverktøy i husholdningsavfallet! I henhold til EU-direktiv 2002/96/EF om kasserte elektriske og elektroniske produkter og direktivets iverksetting i nasjonal rett, må elektroverktøy som ikke lenger skal brukes, samles separat og returneres til et miljøvennlig gjenvinningsanlegg.

## TEKNISKA DATA

Nominell upptagen effekt.....	1050 W
Obelastat varvtal.....	5100 min <sup>-1</sup>
Sågklinga-ø x hål-ø.....	165 x 30 mm
Sågdjup max vid 90°.....	56 mm
Sågdjup max vid 45°.....	37 mm
Vikt utan nätkabel.....	3,7 kg

## Buller-/vibrationsinformation

Mätvärdena har tagits fram baserade på EN 60 745.

A-värdet av maskinens ljudnivå utgör:

Ljudtrycksnivå (K = 3 dB(A)).....	95 dB(A)
Ljudeffektsnivå (K = 3 dB(A)).....	106 dB(A)

## Använd hörselskydd!

Totala vibrationsvärden (vektorsumma ur tre riktningar) framtaget enligt EN 60745.

Vibrationsemissionsvärde an.....	< 2,5 m/s <sup>2</sup>
Onoggrannhet K.....	1,5 m/s <sup>2</sup>

## VARNING

Den i de här anvisningarna angivna vibrationsnivån har uppmätts enligt ett i EN 60745 normerat mätförfarande och kan användas vid jämförelse mellan olika elverktyg. Nivån är även lämplig att använda vid en preliminär bedömning av vibrationsbelastningen.

Den angivna vibrationsnivån representerar den huvudsakliga användningen av det aktuella elverktyget. Men om elverktyget ska användas i andra användningsområden, tillsammans med avvikande insatsverktyg eller efter otillräckligt underhåll, kan vibrationsnivån skilja sig. Det kan öka vibrationsbelastningen betydligt under hela arbetstiden.

För att få en exaktare bedömning av vibrationsbelastningen ska även den tid beaktas, under vilken elverktyget är avstängt eller är påslaget, utan att det verkligen används. Det kan reducera vibrationsbelastningen betydligt under hela arbetstiden.

Lägg som skydd för användaren fast extra säkerhetsåtgärder mot vibrationernas verkan, som till exempel: underhåll av elverktyg och insatsverktyg, varmhållning av händer och organisering av arbetsförlopp.

**⚠ VARNING! Läs alla säkerhetsanvisningar och andra tillhörande anvisningar, även de i den medföljande broschyren.** Fel som uppstår till följd av att anvisningarna nedan inte följts kan orsaka elstöt, brand och/eller allvariga kroppsskador.

**Förvara alla varningar och anvisningar för framtida bruk.**

## SÄKERHETSUTRUSTNING

**⚠ FARA: Håll händerna på betryggande avstånd från sågområdet och sågklingan. Håll andra handen på stödhandtaget eller motorhuset.** Om båda händerna hålls på sågen kan de inte skadas av sågklingan.

**För inte in handen under arbetsstycket.** Klingskyddet kan under arbetsstycket inte skydda handen mot sågklingan.

**Anpassa sågdjupet till arbetsstyckets tjocklek.** Den synliga delen av en tand under arbetsstycket måste vara mindre än en hel tand.

**Arbetsstycket som ska sågas får aldrig hållas i handen eller över benen. Säkra arbetsstycket på ett stabilt underlag.** Det är viktigt att arbetsstycket hålls fast ordentligt för undvikande av kontakt med kroppen, inklämning av sågklinga eller förlorad kontroll över sågen.

**Håll fast sågen endast vid de isolerade handtagen när sågning utförs på ställen där sågklingan kan skada dolda elledningar eller egen nätsladd.** Om sågen kommer i kontakt med en spänningsförande ledning sätts sågens metalldelar under spänning som sedan kan leda till elektriskt slag.

**Vid längsriktad sågning ska alltid ett anslag eller en rak kantsstyrning användas.** Detta förbättrar snittnoggrannheten och minskar risken för att sågklingan kommer i kläm.

**Använd alltid sågklingor med rätt storlek och lämpligt infästningshål (t.ex. i stjärnform eller rund).** Sågklingor som inte passar till sågens monteringskomponenter roterar orunt och leder till att kontrollen förloras över sågen.

**Använd aldrig skadade eller felaktiga underläggsbrickor eller skruvar för sågklingan.** Underläggsbrickorna och skruvarna för sågklingan har konstruerats speciellt för denna såg för optimal effekt och driftsäkerhet.

Orsaker för och eliminering av bakslag:

- ett bakslag är en plötslig reaktion hos en sågklinga som hakat upp sig, klämts fast eller är fel inriktad och som leder till att sågen okontrollerat lyfts upp ur arbetsstycket och kastas mot användaren;

- om sågklingan hakar upp sig eller kläms fast i sågspåret som går ihop, kommer klingan att blockera varefter motorkraften kastar sågen i riktning mot användaren;

- om sågklingan snedvids i sågspåret eller är fel inriktad, kan tänderna på sågklingans bakre kant haka upp sig i arbetsstyckets yta varvid sågklingan går ur sågspåret och hoppar bakåt mot användaren.

Bakslag uppstår till följd av missbruk eller felaktig hantering av sågen. Detta kan undvikas genom skyddsåtgärder som beskrivs nedan.

**Håll stadigt i sågen med båda händerna och håll armarna i ett läge som möjliggör att hålla stånd mot de bakslagskrafter som eventuellt uppstår. Stå alltid på sidan om sågklingan; håll aldrig sågklingan i linje med kroppen.** Vid ett bakslag kan cirkelsågen hoppa bakåt men användaren kan behärska bakslagskraften om lämpliga åtgärder vidtagits.

**Om sågklingan kommer i kläm eller sågning avbryts av annan orsak, släpp Till-Från strömställaren och håll kvar sågen i arbetsstycket tills sågklingan stannat fullständigt. Försök aldrig dra sågen ur arbetsstycket eller bakåt så länge sågklingan roterar eller risk finns för att bakslag uppstår.** Lokalisera orsaken för inklämd sågklinga och avhjälpt felet.

**Vill du återstarta en såg som sitter i arbetsstycket centrera sågklingan i sågspåret och kontrollera att sågklingans tänder inte hakat upp sig i arbetsstycket.** Är sågklingan inklämd kan den gå upp ur arbetsstycket eller orsaka bakslag vid återstart av sågen.

**Stöd stora skivor för att reducera risken för ett bakslag till följd av inklämd sågklinga.** Stora och tunga skivor kan böjas ut. Skivorna måste därför stödas på båda sidorna både i närheten av sågspåret och vid skivans kanter.

**Använd inte oskarpa eller skadade sågklingor.** Sågklingor med oskarpa eller fel inriktade tänder medför till följd av ett för smalt sågspår ökad friktion, inklämning av sågklingan och bakslag.

**Före sågning påbörjas dra stadigt fast inställningsanordningarna för sågdjup och snittvinkel.** Om inställningarna förändras under sågning kan sågklingan klämmas fast och orsaka bakslag.

**Var speciellt försiktig vid „insågning“ på ett dolt område, t. ex. i en färdig vägg.** Den inträngande sågklingan kan blockera vid sågning i dolda objekt och försäkra bakslag.

**Kontrollera innan sågen används att det undre klingskyddet stänger felfritt.** Sågen får inte tas i bruk om det undre

**klingskyddet inte är fritt rörligt och inte stängs omedelbart. Kläm eller bind inte fast det undre klingskyddet i öppet läge.** Om sågen av misstag faller ner på golvet finns risk att det undre klingskyddet deformeras. Öppna klingskyddet med återdragningsspaken och kontrollera att det är fritt rörligt och att det vid alla snittvinklar och snittdjup varken berör sågklingan eller andra delar.

**Kontrollera funktionen på fjädern till det undre klingskyddet. Låt sågen repareras innan den tas i bruk om undre klingskyddet eller fjädern inte fungerar felfritt.** Skadade delar, kläbbiga avlagringar eller anhopning av spån kan hindra det undre klingskyddets rörelse.

**Öppna det undre klingskyddet för hand endast vid speciella snitt som t.ex. „Insågning och vinkelsnitt“.** Öppna det undre klingskyddet med återdragningsspaken och släpp den så fort sågklingan gått in i arbetsstycket. Vid all annan sågning måste det undre klingskyddet fungera automatiskt.

**Se till att sågklingan skyddas av det undre klingskyddet när sågen läggs bort på arbetsbänk eller golv.** En oskyddad och roterande sågklinga förflyttar sågen bakåt och kan såga allt som är i vägen. Beakta även sågens eftergång.

Sågklinga, vars värden inte överensstämmer med data i denna bruksanvisning, får ej användas.

**Bär hörselskydd.** Bullerbelastning kan orsaka hörselskador.

Slipskivor får inte användas!

Anslut alltid verktyget till jordat eluttag vid användning utomhus.

Använd alltid skyddsglasögon, skyddshandskar och hörselskydd.

Drag alltid ur kontakten när du utför arbeten på maskinen.

Maskinen skall vara fränkopplad innan den anslutes till väggurtag.

Nätkabeln skall alltid hållas ifrån arbetsområdet. Lägg kabeln bakåt i förhållande till arbetsriktningen.

Bryt alltid strömmen vid ombyggnads- och servicearbeten.

Läs ej strömbrytarens vid sågning för hand.

Det damm som bildas under arbetets gång är ofta hälsofarligt och det ska inte komma in i kroppen. Bär därför lämplig skyddsmask.

## ANVÄND MASKINEN ENLIGT ANVISNINGARNA

Cirkelsågen kan användas till raka skär i trä, plast och aluminium.

Maskinen får endast användas för angiven tillämpning.

## CE-FÖRSÅKRAN

Vi intygar och ansvarar för, att denna produkt överensstämmer med följande norm och dokument EN 60745, EN 55014-1, EN 55014-2, EN 61000-3-2, EN 61000-3-3, EN 61000-3-3, enl. bestämmelser och riktlinjerna 98/37/EG, 2004/108/EG



Winnenden, 2009-04-14

Rainer Kumpf  
Manager Product Development

## NÄTANSLUTNING

Får endast anslutas till 1-fas växelström och till den spänning som anges på dataskylten. Anslutning kan även ske till eluttag utan skyddskontakt, eftersom konstruktionen motsvarar skyddsklass II.

## SKÖTSEL

Se till att motorhöljets luftslitsar är rena.

Använd endast Milwaukee-tillbehör och Milwaukee-reservdelar. Komponenter, för vilka inget byte beskrivs, skall bytas ut hos Milwaukee-kundtjänst (se broschyren garanti-/kundtjänstadresser).

Vid behov av sprängskiss, kan en sådan, genom att uppge maskinens art. nr. (som finns på typskylten) erhållas från: Milwaukee Electric Tool, Max-Eyth-Straße 10, D-71364 Winnenden, Germany.

## SYMBOLER



Läs instruktionen noga innan du startar maskinen.



Drag alltid ur kontakten när du utför arbeten på maskinen.



Tillbehör - Ingår ej i leveransomfånget, erhålles som tillbehör.



Elektriska verktyg får inte kastas i hushållssoporna! Enligt direktivet 2002/96/EG som avser äldre elektrisk och elektronisk utrustning och dess tillämpning enligt nationell lagstiftning ska uttjänta elektriska verktyg sorteras separat och lämnas till miljövänlig återvinning.

## TEKNISET ARVOT

Nimellinen teho	1050 W
Kuormittamaton kierrosluku	5100 min <sup>-1</sup>
Sahanterän ø x reiän ø	165 x 30 mm
Leikkaussyvytydet 90°	56 mm
Leikkaussyvytydet 45°	37 mm
Paino ilman verkkojohtoa	3,7 kg

### Melunpäästö-/tärinätiedot

Mitta-arvot määritetty EN 60 745 mukaan.

Koneen tyypillinen A-luokitettu melutaso:

Melutaso (K=3 dB(A))	95 dB(A)
Äänenvoimakkuus (K=3 dB(A))	106 dB(A)

### Käytä kuulosuojaimia!

Värähtelyn yhteisarvot (kolmen suunnan vektorisumma) mitattuna EN 60745 mukaan.

Värähtelyemissioarvo a <sub>w</sub>	< 2,5 m/s <sup>2</sup>
Epävarmuus K <sub>w</sub>	1,5 m/s <sup>2</sup>

## VAROITUS

Näissä ohjeissa mainittu värähtelytaso on mitattu EN 60745 -standardin mukaisella mittausmenetelmällä ja sitä voidaan käyttää sähkötyökalujen vertaamiseen. Sitä voidaan käyttää myös värähtelyrasituksen väliaikaiseen arviointiin.

Mainittu värähtelytaso edustaa sähkötyökalun pääasiallista käyttöä. Jos sähkötyökalua kuitenkin käytetään muihin tehtäviin, poikkeavin työkaluun tai riittävästi huoltaen, värähtelytaso voi olla erilainen. Se voi korottaa värähtelyrasitusta koko työajan osalta.

Tarkan värähtelyrasituksen toteamiseen tulee ottaa huomioon aika, jona laite on kytketty pois tai on kylläkin päällä, mutta ei käytössä. Se voi pienentää värähtelyrasitusta koko työajan osalta.

Määrittele lisäturvatoimenpiteitä käyttäjän suojaamiseksi värinöiden vaikutukselta, kuten esimerkiksi: sähkötyökalujen ja käyttötyökalujen huolto, käsien lämpimän pitäminen, työvaiheiden organisaatio.

**VAROITUS!** Lue kaikki, myös oheistetussa esitteessä annettu turvallisuusmääräykset ja käyttöohjeet. Turvallisuusohjeiden noudattaminen laiminlyönti saattaa johtaa sähköiskuun, tulipaloon ja/tai vakavaan loukkaantumiseen. Säilytä kaikki turvallisuus- ja muut ohjeet tulevaisuutta varten.

## TURVALLISUUSOHJEET

**VAARA:** Pidä kädet loitolla sahausalueelta ja sahanterästä. Pidä toinen käsi lisäkavassa tai moottorikotelossa. Kun molemmat kädet pitelevät pyörösahaa, sahanterä ei pysty vahingoittamaan niitä.

Älä pane käsiä työkappaleen alle. Suojus ei pysty suojaamaan käsiä sahanterältä, jos ne ovat työkappaleen alapuolella.

Aseta leikkaussyvyys työkappaleen paksuuden mukaan. Työkappaleen alla tulisi terää näkyä korkeintaan täysi hammaskorkeus.

Älä koskaan pidä sahattavaa työkappaletta kädessä tai jalkojen päällä. Tue työkappaletta tukevaa alustaa vasten. On tärkeää kiinnittää työkappale hyvin, jotta kosketus kehoon, sahanterän jääminen puristukseen ja hallinnan menettäminen estyisi.

Tartu laitteeseen ainoastaan eristetyistä pinnoista, tehdessäsi työtä, jossa saattaisit osua piilossa olevaan sähköjohtoon tai sahan omaan sähköjohtoon. Kosketus jännitteeseen johtoon saattaa myös koneen metalliosat jännitteisiksi ja johtaa sähköiskuun.

Käytä aina oikean kokoisia sahanterä sopivalla kiinnitysreiällä (timantinmuotoinen tai pyöreä). Tämä parantaa sahaustarkkuutta ja pienentää riskin, että sahanterä jää puristukseen.

Käytä aina oikean kokoisia ja kiinnityslaippaan sopivia sahanterä (timantinmuotoinen tai pyöreä). Sahanterät, jotka eivät sovi sahan asennusosiin pyörivät epäkeskeisesti ja johtavat sahan hallinnan menettämiseen.

Älä koskaan käytä vaurioituneita sahanterän kiinnityslaattoja tai -pulttia. Sahanterän kiinnityslaatat ja -pultti on suunniteltu erityisesti sahasi varten, antaen parasta mahdollista tehokkuutta ja toimintavarmuutta.

Takaiskun syy ja miten sen estät:

- takaisku on äkillinen reaktio, joka johtuu kiinni tarttuneesta, puristukseen jääneestä tai väärin suunnatusta sahanterästä, joka saa hallitsemattoman sahan ponnahtelemaan ylös työkappaleesta käyttäjää kohti;

Jos saha tahattomasti putoaa lattiaan, saattaa alempi suojus taipua. Nosta suojusta nostovivulla ja varmista, että suojus liikkuu vapaasti, eikä kosketa sahanterää tai muita osia missään sahauskulmassa.

**Tarkista alemman suojuksen jousen toiminta. Anna huolta saha, jos alempi suojus tai jousi ei toimi moitteettomasti.** Alempi suojus saattaa toimia jäykkäliikkeisesti johtuen vioituneista osista, tahmeista kerrostumista tai lastukasaantumista.

**Avaa alempi suojus käsin vain erikoisissa sahauskissa, kuten ”uppo- ja kulmasahauksissa”. Avaa alempi suojus nostovivulla, ja päästä se vapaaksi heti, kun sahanterä on upponut työkappaleeseen.** Kaikissa muissa sahaustoissa alemman suojuksen tulee toimia automaattisesti.

**Älä aseta sahaa työpenkille tai lattialle, ellei alempi suojus peitä sahanterää.** Suojaamaton jälkikävyä sahanterä kuljettaa sahaa taaksepäin ja sahaa kaiken, mikä osuu sen tielle. Ota huomioon, että kestää vähän aikaa ennen kuin sahanterä pysähtyy, virran katkaisun jälkeen.

Sahanterä, joiden tunnustetiedot eriyvät tästä käyttöohjeesta, ei saa käyttää.

**Käytä korvasuojia.** Altistuminen melulle voi vahingoittaa kuuloa. Ei saa käyttää hiomalaikkoja!

Ulkokäytössä olevat pistorasiat on varustettava vikavirtasuojajytkimillä sähkölaitteistosi asennusmääräyksen mukaisesti. Muista tarkistaa, että laite liitetään ulkokäytössä ulkopistorasiaan ja neuvottele asiasta sähköasentajasi kanssa.

Käytä laitteella työskennellessäsi aina suojaalaseja. Suojakäsineiden, turvallisten ja tukevapohjaisten kenkien, kuulosuojainten ja suojaesiliinan käyttöä suositellaan.

Irrota aina pistotulppa seinäkoskettimesta ennen koneeseen tehtäviä toimenpiteitä.

Varmista, että kone on sammutettu ennen kytkemistä sähköverkkoon.

Pidä sähköjohto poissa koneen käyttöalueelta. Siirrä se aina taaksesi.

Tarkista ennen jokaista käyttökertaa, ettei laitteessa, liitäntäjohtossa, jatkajohdossa ja pistotulpassa ole vaurioita eikä niissä ole tapahtunut muutoksia. Viallisia osia saa korjata vain alan ammattilainen..

Käynnistyskytkintä ei saa käsinohjaussahauksessa lukita.

Koneen käytöstä aiheutuva pöly ja jäte voi olla haitallista terveydelle eikä sen vuoksi tulisi päästä kosketukseen ihon kanssa. Koneella työskennellessä on käytettävä sopivaa suojausta.

## TARKOITUKSEN MUKAINEN KÄYTTÖ

Elektroninen pyörösaha sahaa tarkasti pitkittäin ja jiriin puuta, muoveja ja alumiinia.

Älä käytä tuotetta ohjeiden vastaisesti.

## TODISTUS CE-STANDARDIN MUKAISUUDESTA

Todistamme täten ja vastaamme yksin siitä, että tämä tuote on allueltujen standardien ja standardoimisasiakirjojen vaatimusten mukainen. EN 60745, EN 55014-1, EN 55014-2, EN 61000-3-2, EN 61000-3-3, EN 61000-3-3, seuraavien sääntöjen mukaisesti: 98/37/EY, 2004/108/EY



Winnenden, 2009-04-14

Rainer Kumpf  
Manager Product Development

## VERKKOLIITÄNTÄ

Yhdistä ainoastaan tasavirtalahteen, jonka volttimäärä on sama kuin levyssä ilmoitettu. Myös liittäminen maadoittamattomiin pistokkeisiin on mahdollista, sillä muotoilu on yhdenmukainen turvallisuusluokan II kanssa.

## HUOLTO

Pidä moottorin ilmanottoaukot puhtaina.

Käytä ainoastaan Milwaukee lisätarvikkeita ja Milwaukee varaosia. Mikäli jokin komponentti, jota ei ole kuvailtu, tarvitsee vaihtoa ota yhteys johonkin Milwaukee palvelupisteistä (kts. listamme takuuhoitoliikkeiden/ palvelupisteiden osoitteista)

Tarpeen vaatiessa voit pyytää lähettämään laitteen kokoonpanopirustuksen ilmoittamalla arvokilven kymmennumeroinen numero seuraavasta osoitteesta: Milwaukee Electric Tool, Max-Eyth-Straße 10, D-71364 Winnenden, Germany.

## SYMBOLIT



Lue käyttöohjeet huolellisesti, ennen koneen käynnistämistä.



Irrota aina pistotulppa seinäkoskettimesta ennen koneeseen tehtäviä toimenpiteitä.



Lisälaite - Ei sisälly vakiovarustukseen, saatavana lisätarvikkeena.



Älä hävitä sähkötyökalua tavallisen kotitalousjätteen mukana! Vanhoja sähkö- ja elektroniikkalaitteita koskevan EU-direktiivin 2002/96/EY ja sen maakohtaisten sovellusten mukaisesti käytetyt sähkötyökalut on toimitettava ongelmajätteen keräyspisteeseen ja ohjattava ympäristöstävälliseen kierrätykseen.



## ΤΕΧΝΙΚΑ ΣΤΟΙΧΕΙΑ

Ονομαστική ισχύς	1050 W
Αριθμός στροφών χωρίς φορτίο	5100 min <sup>-1</sup>
Διάμετρος Λεπίδας πριονιού x διάμετρος διάτρησης	165 x 30 mm
Μέγιστο βάθος κοπής 90°	56 mm
Μέγιστο βάθος κοπής 45°	37 mm
Βάρος χωρίς καλώδιο	3,7 kg

### Πληροφορίες θορύβου/δονήσεων

Τιμές μέτρησης εξακριβωμένες κατά EN 60 745.

Η σύμφωνα με την καμπύλη A εκτιμηθείσα στάθμη θορύβου του μηχανήματος αναφέρεται σε:

Στάθμη ηχητικής πίεσης (K = 3 dB(A))	95 dB(A)
Στάθμη ηχητικής ισχύος (K = 3 dB(A))	106 dB(A)

### Φοράτε προστασία ακοής (ωτασπίδες)!

Υλικές τιμές κραδασμών (άθροισμα διανυσμάτων τριών διευθύνσεων) εξακριβώθηκαν σύμφωνα με τα πρότυπα EN 60745.

Τιμή εκπομπής δονήσεων a <sub>h</sub>	< 2,5 m/s <sup>2</sup>
Ανασφάλεια K	1,5 m/s <sup>2</sup>

## ΠΡΟΕΙΔΟΠΟΙΗΣΗ

Το αναφερόμενο σ' αυτές τις οδηγίες επίπεδο δονήσεων έχει μετρηθεί με μια τυποποιημένη σύμφωνα με το EN 60745 μέθοδο μέτρησης και μπορεί να χρησιμοποιηθεί για τη σύγκριση των ηλεκτρικών εργαλείων μεταξύ τους. Αυτό είναι επίσης κατάλληλο για μια προσωρινή εκτίμηση της επιβάρυνση των δονήσεων.

Το αναφερόμενο επίπεδο δονήσεων αντιπροσωπεύει τις κύριες χρήσεις του ηλεκτρικού εργαλείου. Εάν όμως το ηλεκτρικό χρησιμοποιείται σε άλλες χρήσεις, με διαφορετικά εργαλεία εφαρμογής ή ανεπαρκή συντήρηση, μπορεί να υπάρξει απόκλιση του επιπέδου δονήσεων. Αυτό μπορεί να αυξήσει σημαντικά την επιβάρυνση των δονήσεων για τη συνολική διάρκεια της εργασίας.

Για μια ακριβή εκτίμηση της επιβάρυνσης των δονήσεων οφείλουν επίσης να λαμβάνονται υπόψη οι χρόνοι, στους οποίους η συσκευή είναι απενεργοποιημένη ή είναι μεν ενεργοποιημένη αλλά δεν χρησιμοποιείται πραγματικά. Αυτό μπορεί να μειώσει σημαντικά την επιβάρυνση των δονήσεων για τη συνολική διάρκεια της εργασίας.

Καθορίστε πρόσθετα μέτρα ασφαλείας για την προστασία του χειριστή από την επίδραση των δονήσεων όπως για παράδειγμα: Συντήρηση του ηλεκτρικού εργαλείου και των εργαλείων εφαρμογής, διατηρείτε ζεστά τα χέρια, οργάνωση των διαδικασιών εργασίας.

**⚠️ ΠΡΟΕΙΔΟΠΟΙΗΣΗ! Διαβάστε όλες τις Υποδείξεις ασφαλείας και τις Οδηγίες, και αυτές στο επισυναπτόμενο φυλλάδιο.** Αμέλειες κατά την τήρηση των προειδοποιητικών υποδείξεων μπορεί να προκαλέσουν ηλεκτροπληξία, κίνδυνο πυρκαγιάς ή/και σοβαρούς τραυματισμούς. **Φυλάξτε όλες τις προειδοποιητικές υποδείξεις και οδηγίες για κάθε μελλοντική χρήση.**

## ΕΙΔΙΚΕΣ ΥΠΟΔΕΙΞΕΙΣ ΑΣΦΑΛΕΙΑΣ

**⚠️ ΚΙΝΔΥΝΟΣ:** Μη βάζετε τα χέρια σας στην περιοχή του πριονιού ή στον πριονόδισκο. Κρατάτε με το άλλο [το δεύτερο] χέρι σας την πρόσδετη λαβή ή το περίβλημα του κινητήρα. Όταν κρατάτε το δισκοπρίονο και τα δύο σας χέρια τότε ο πριονόδισκος δεν μπορεί να σας τραυματίσει.

**Μη βάζετε τα χέρια σας κάτω από το υπό κατεργασία τεμάχιο.** Ο προφυλακτήρας δεν μπορεί να τα προστατέψει από τον πριονόδισκο όταν αυτά βρίσκονται κάτω από το υπό κατεργασία τεμάχιο.

**Προσαρμόστε το βάθος κοπής στο πάχος του υπό κατεργασία τεμαχίου.** Κάτω το υπό κατεργασία τεμάχιο πρέπει να φαίνεται λιγότερο από ένα ολόκληρο δόντι του πριονόδισκου.

**Μη συγκρατείτε ποτέ το υπό κατεργασία τεμάχιο με το χέρι και μην το ακουμπάτε ποτέ στα πόδια [τα σκέλη] σας. Ασφαλίστε το υπό κατεργασία τεμάχιο επάνω σε μια σταθερή επιφάνεια.** Το καλό στερέωμα του υπό κατεργασία τεμαχίου είναι πολύ σημαντικό επειδή έτσι μειώνεται στο ελάχιστο ο κίνδυνος της επαφής του με το σώμα σας, το μπλοκάρισμα του πριονόδισκου ή η απώλεια του ελέγχου του.

**Πιάните το μηχανήμα μόνο από τις μονωμένες επιφάνειές του όταν κατά την εργασία σας υπάρχει κίνδυνος το εργαλείο κοπής να „χτυπήσει“ ηλεκτρικές γραμμές ή το ηλεκτρικό καλώδιο του ίδιου του μηχανήματος.** Η επαφή του πριονόδισκου με μια υπό τάση ευρισκόμενη ηλεκτρική γραμμή θέτει επίσης και τα μεταλλικά τμήματα του μηχανήματος υπό τάση κι έτσι μπορεί να οδηγήσει σε ηλεκτροπληξία.

**Όταν διεξάγετε διαμήκη [μακρουξί] κοπές χρησιμοποιείτε πάντοτε έναν οδηγό κοπής ή μια διάταξη ευθυγράμμισης της τομής.** Μ' αυτόν τον τρόπο βελτιώνεται η ακρίβεια της τομής κι ελαττώνονται οι πιθανότητες σφηνώματος του πριονόδισκου

**Χρησιμοποιείτε πάντοτε πριονόδισκους με το σωστό μέγεθος και με κατάλληλη τρύπα υποδοχής (π. χ. με στρουγγυλή ή αστεροειδή τρύπα).** Πριονόδισκοί που δεν ταιριάζουν με τα εξαρτήματα συναρμολόγησης του πριονιού

περιστρέφονται ασύμμετρα και οδηγούν στην απώλεια του ελέγχου του μηχανήματος.

**Μη χρησιμοποιήσετε ποτέ χαλασμένους ή ακατάλληλους πριονόδισκους, ακατάλληλες ροδέλες ή βίδες.** Οι ροδέλες και οι βίδες κατασκευάζονται ειδικά για τον εκάστοτε πριονόδισκο κι εξασφαλίζουν έτσι τη μέγιστη δυνατή απόδοση και ασφάλεια λειτουργίας.

Αιτίες και αποφυγή κλοστήματος:

-το κλότσημα είναι η απροσδόκητη αντίδραση του πριονόδισκου όταν αυτός “σκοτσάει” ή μπλοκάρει ή όταν είναι λάθος συναρμολογημένος· αυτό προκαλεί το ανασήκωμα του ανεξέλεγκτου πλέον πριονιού από το υπό κατεργασία τεμάχιο και στην κίνηση του με κατεύθυνση προς το χειριστή

-όταν ο πριονόδισκος ή σφηνώσει στη σχισμή πριονίσματος όταν αυτή κλείνει, τότε αυτός μπλοκάρει και η δύναμη του κινητήρα “κλωστό” το μηχανήμα με κατεύθυνση προς το χειριστή

-όταν ο πριονόδισκος στρεβλώσει ή όταν είναι λάθος συναρμολογημένος, τότε δεν αποκλείεται τα δόντια στην πίσω ακμή του πριονόδισκου να σφηνώσουν στην επιφάνεια του υπό κατεργασία τεμαχίου κι έτσι ο πριονόδισκος να πεταχτεί έξω από το υπό κατεργασία τεμάχιο και το πριόνι να εκτιναχτεί με κατεύθυνση προς ο χειριστή

Το κλότσημα αποτελεί συνέπεια ενός εσφαλμένου ή ελλιπού χειρισμού του πριονιού. Μπορεί να αποφευχθεί με κατάλληλα προληπτικά μέτρα, όπως αυτά που περιγράφονται παρακάτω.

**Να κρατάτε το πριόνι και με τα δύο σας χέρια και να δίνετε στους βραχιόνες σας μια θέση, στην οποία θα μπορούσατε να αντιμετωπίσετε τυχόν αντιδραστικές δυνάμεις [κλοστήματα] του μηχανήματος. Να στέκεστε πάντα δίπλα από τον πριονόδισκο και ποτέ στην ίδια γραμμή μ' αυτόν.** Σε περίπτωση κλοστήματος το δισκοπρίονο μπορεί μεν να εκτιναχτεί προς τα πίσω, όμως, όταν έχουν ληφθεί κατάλληλα προληπτικά μέτρα, ο χειριστής μπορεί να αντιμετωπίσει με επιτυχία το κλότσημα.

**Σε περίπτωση που ο πριονόδισκος μπλοκάρει ή το πριόνισμα διακοπεί από οποιοδήποτε άλλη αιτία, τότε αφήστε το διακόπτη ON/OFF ελεύθερο και κρατήστε το πριόνι με ηρεμία μέσα στο υλικό μέχρι να ακινητοποιηθεί εντελώς ο πριονόδισκος. Μην προσπαθήσετε ποτέ να απομακρύνετε το πριόνι από το υπό κατεργασία τεμάχιο ή να το τραβήξετε προς τα πίσω όσο ο πριονόδισκος κινείται ή όταν υπάρχει ακόμη κίνδυνος κλοστήματος.** Εξακριβώστε την αιτία του μπλοκάρισματος του πριονόδισκου και εξουδετερώστε την με τα κατάλληλα μέτρα.

**Όταν θαλήσετε να εκκινήσετε πάλι ένα ακινητοποιημένο πριόνι του οποίου ο πριονόδισκος βρίσκεται μέσα στο υπό κατεργασία τεμάχιο, ευθυγραμμίστε τον πριονόδισκο μέσα στη σχισμή κοπής κι ελέγξτε, μήπως τα δόντια του είναι σφηνωμένα μέσα στο υπό κατεργασία τεμάχιο.** Όταν ο πριονόδισκος είναι μπλοκαρισμένος μπορεί να πεταχτεί έξω από το υπό κατεργασία τεμάχιο ή να κλωστήσει όταν το πριόνι τεθεί πάλι σε λειτουργία.

**Μεγάλες υπό κατεργασία πλάκες πρέπει να υποστηρίζονται για να μειωθεί ο κίνδυνος κλοστήματος από έναν τυχόν σφηνωμένο πριονόδισκο.** Οι μεγάλες πλάκες μπορεί να λυγίσουν από το ίδιο τους το βάρος. Οι πλάκες πρέπει να υποστηρίζονται και στις δύο πλευρές τους, και κοντά στον πριονόδισκο και στα άκρα τους.

**Μη χρησιμοποιείτε αμβλείς ή χαλασμένους πριονόδισκους.** Πριονόδισκοι με μη κοφτερά ή με λάθος ευθυγραμμισμένα δόντια προκαλούν, εξαιτίας της πολύ στενής σχισμής πριονίσματος, αύξηση της τριβής, σφηνώμα του πριονόδισκου και κλότσημα.

**Πριν το πριόνισμα σφίξτε καλά τις διατάξεις ρύθμισης του βάθους και της γωνίας κοπής.** Σε περίπτωση που οι ρυθμίσεις μεταβληθούν κατά τη διάρκεια του πριονίσματος μπορεί να μπλοκάρει ο πριονόδισκος και να οδηγήσει έτσι σε κλότσημα.

**Προσέξτε ιδιαίτερα όταν διεξάγετε “κοπές βύθισης” σε μη ορατούς τομείς, π. χ. σ' έναν ήδη υπάρχοντα τοίχο.** Ο βυθιζόμενος πριονόδισκος μπορεί να μπλοκάρει σε μη ορατά αντικείμενα και να οδηγήσει έτσι σε κλότσημα.

**Ελέγχετε πριν από κάθε χρήση αν κλείνει άψογα ο κάτω προφυλακτήρας. Μη χρησιμοποιήσετε το πριόνι όταν ο κάτω προφυλακτήρας δεν κινείται ελεύθερα και δεν κλείνει αμέσως. Μη σφηνώνετε και μη δένετε ποτέ τον κάτω προφυλακτήρα για να παραμείνει ανοιχτός.** Ο κάτω προφυλακτήρας μπορεί να στρεβλωθεί σε περίπτωση που το πριόνι πέσει αθέλητα στο έδαφος. Ανοίξτε τον προφυλακτήρα με τη βοήθεια της λαβής και βεβαιωθείτε ότι κινείται ελεύθερα καθώς και ότι δεν εγγίζει τον πριονόδισκο ή άλλα τμήματα του πριονιού, σε οποιαδήποτε βάθος ή γωνία κοπής κι αν ρυθμιστεί.

**Ελέγξτε τη λειτουργία του ελατηρίου του κάτω προφυλακτήρα. Δώστε το μηχανήμα για συντήρηση πριν το χρησιμοποιήσετε σε περίπτωση που ο κάτω προφυλακτήρας ή/και το ελατήριο δε λειτουργούν άψογα.** Χαλασμένα εξαρτήματα, κολωδών ιζήματα ή συσσωρεύσεις γρεζιών ή ροκανιδιών επιβραδύνουν την κίνηση του προφυλακτήρα.

**Ο κάτω προφυλακτήρας επιτρέπεται να ανοιχτεί με το χέρι μόνο για τη διεξαγωγή ιδιαίτερων κοπών, π. χ. για “κοπές βύθισης και κοπές γωνιών”. Ανοίξτε τον προφυλακτήρα με τη βοήθεια της λαβής κι αφήστε τον πάλι ελεύθερο μόλις ο πριονόδισκος βυθιστεί στο υπό κατεργασία τεμάχιο.** Σε όλες τις άλλες εργασίες κοπής ο προφυλακτήρας πρέπει να λειτουργεί αυτόματα.

**Μην αποθέσετε το πριόνι επάνω στο τραπέζι εργασίας ή στο δάπεδο χωρίς ο κάτω προφυλακτήρας να καλύπτει τον πριονόδισκο.** Ένας ακάλυπτος πριονόδισκος που συνεχίζει να περιστρέφεται κινεί το πριόνι με φορά αντίθετη της φοράς κοπής και πριονίζει ότι συναντήσει στο δρόμο του. Λάβετε υπόψη σας το χρόνο που χρειάζεται μέχρι να ακινητοποιηθεί εντελώς το πριόνι [χρόνος ίχνηλάσισης].

Οι λεπίδες πριονιού, που δεν αντιστοιχούν με τα χαρακτηριστικά στοιχεία σε αυτές τις οδηγίες χρήσης, δεν επιτρέπεται να χρησιμοποιηθούν.

**Φοράτε ωτασπίδες.** Η επίδραση θορύβου μπορεί να προκαλέσει απώλεια ακοής.

Παρακαλώ, μην τοποθετείτε λειαντικούς δίσκους!

Οι πρίζες στους εξωτερικούς χώρους πρέπει να είναι εξοπλισμένες με μικροαυτόματος διακόπτες προστασίας. Αυτό απαιτεί ο σχετικός κανονισμός από την ηλεκτρική σας εγκατάσταση. Προσέξτε παρακαλώ αυτό το σημείο κατά τη χρήση της συσκευής μας.

Στις εργασίες με τη μηχανή φοράτε πάντοτε προστατευτικά γυαλιά. Συνιστάνται τα προστατευτικά γάντια, τα σταθερά και αντιολισθητικά παπούτσια και η ποδιά.

Πριν από κάθε εργασία στη μηχανή τραβάτε το φικς από την πρίζα.

Συνδέστε τη μηχανή στην πρίζα μόνο, εφόσον βρίσκεται απενεργοποιημένη.

Κρατάτε το καλώδιο σύνδεσης πάντοτε μακριά από την περιοχή δράσης της μηχανής. Περνάτε το καλώδιο πάντοτε πίσω από τη μηχανή.

Πριν από κάθε χρήση ελέγχετε τη συσκευή, το καλώδιο σύνδεσης, το καλώδιο επέκτασης (μπαλαντέζα) και το φικς για τυχόν ζημιά και γήραση. Αναθέστε την επισκευή των κατεστραμμένων εξαρτημάτων μόνο σ' έναν ειδικευμένο τεχνίτη.

Η σκόνη που δημιουργείται κατά την εργασία είναι συχνά επιβλαβής για την υγεία και δεν επιτρέπεται να έλθει στο σώμα. Να φοράτε κατάλληλη μάσκα προστασίας από σκόνη.

Μην ασφαλίσετε σταθερά το διακόπτη ενεργοποίησης/ απενεργοποίησης στη λειτουργία χειρός.

## ΧΡΗΣΗ ΣΥΜΦΩΝΑ ΜΕ ΤΟ ΣΚΟΠΟ ΠΡΟΟΡΙΣΜΟΥ

Το κυκλικό πριόνι χειρός χρησιμοποιείται για το πριόνισμα ευθύγραμμων τομών σε ξύλο, πλαστικό και αλουμίνιο.

Αυτή η συσκευή επιτρέπεται να χρησιμοποιηθεί μόνο σύμφωνα με τον αναφερόμενο σκοπό προορισμού.

## ΔΗΛΩΣΗ ΠΙΣΤΟΤΗΤΑΣ ΕΚ

Δηλώνουμε με αποκλειστική μας ευθύνη, ότι αυτό το προϊόν ανταποκρίνεται στα ακόλουθα πρότυπα ή έγγραφα τυποποίησης: EN 60745, EN 550 14-1, EN 55014-2, EN 61000-3-2, EN 61000-3-3, σύμφωνα με τις διατάξεις των οδηγιών 98/37/ΕΚ 2004/108/ΕΚ



Winnenden, 2009-04-14

Rainer Kumpf  
Manager Product Development

## ΣΥΝΔΕΣΗ ΣΤΟ ΗΛΕΚΤΡΙΚΟ ΔΙΚΤΥΟ

Συνδέστε μόνο σε μονοφασικό εναλλασσόμενο ρεύμα και μόνο σε τάση δικτύου όπως αναφέρεται στην πινακίδα τεχνικών χαρακτηριστικών. Η σύνδεση είναι επίσης εφικτή σε πρίζες χωρίς προστασία επαφής, διότι υπάρχει μια δομή της κατηγορίας προστασίας II.

## ΣΥΝΤΗΡΗΣΗ

Διατηρείτε πάντοτε τις σχισμές εξερισμού στη μηχανή καθαρές.

Χρησιμοποιείτε μόνο πρόσθιο, εξαρτήματα Milwaukee και ανταλλακτικά Milwaukee. Κατάσκ. τμήματα, που η αλλαγή τους δεν περιγράφεται, αντικαθίστανται σε μια τεχνική υποστήριξη της Milwaukee (βλέπε φυλλάδιο εγγύηση/ διευθύνσεις τεχνικής υποστήριξης).

Όταν χρειάζεται, μπορείτε να ζητήσετε ένα σχέδιο συναρμολόγησης της συσκευής, δίνοντας τον τύπο της μηχανής και το δεκαψήφιο αριθμό στην πινακίδα ισχύος, από το κέντρο σέρβις ή απευθείας από τη φίρμα Milwaukee Electric Tool, Max-Eyth-Straße 10, D-71364 Winnenden, Germany.

## ΣΥΜΒΟΛΑ



Παρακαλώ διαβάστε σχολαστικά τις οδηγίες χρήσης πριν από την έναρξη λειτουργίας.



Πριν από κάθε εργασία στη μηχανή τραβάτε το φικς από την πρίζα.



Εξαρτήματα - Δεν περιλαμβάνονται στα υλικά παράδοσης, συστοιμμένα προσθήκη από το πρόγραμμα εξαρτημάτων.



Μην πετάτε τα ηλεκτρικά εργαλεία στον κάδο οικιακών απορριμμάτων! Σύμφωνα με την ευρωπαϊκή οδηγία 2002/96/ΕΚ περί ηλεκτρικών και ηλεκτρονικών συσκευών και την ενσωμάτωσή της στο εθνικό δίκαιο, τα ηλεκτρικά εργαλεία πρέπει να συλλεγούνται ξεχωριστά και να πιστρέφονται για ανακύκλωση με τρόπο φιλικό προς το περιβάλλον.

## TEKNİK VERİLER

Giriş gücü .....	1050 W
Boşta ki devir sayısı .....	5100 min <sup>-1</sup>
Testere bacağı çapı x delik çapı .....	165 x 30 mm
90° de Maksimum kesme derinliği .....	56 mm
45° de Maksimum kesme derinliği .....	37 mm
Ağırlığı, şebeke kablosuz .....	3,7 kg

### Gürültü/Vibrasyon bilgileri

Ölçüm değerleri EN 60 745 e göre belirlenmektedir.

Aletin, frekansa bağımlı uluslararası ses basıncı seviyesi değerlendirme eğrisi A'ya göre tipik gürültü seviyesi:

Ses basıncı seviyesi (K = 3 dB(A)) .....	95 dB(A)
Akustik kapasite seviyesi (K = 3 dB(A)) .....	106 dB(A)

### Koruyucu kulaklık kullanın!

Toplam titreşim değeri (üç yönün vektör toplamı) EN 60745'e göre belirlenmektedir:

titreşim emisyon değeri a <sub>h</sub> .....	< 2,5 m/s <sup>2</sup>
Tolerans K .....	1,5 m/s <sup>2</sup>

## UYARI

Bu talimatlarda belirtilen titreşim seviyesi, EN 60745 standardına uygun bir ölçme metodu ile ölçülmüştür ve elektrikli el aletleri birbiriyle karşılaştırmak için kullanılabilir. Ölçüm sonuçları ayrıca titreşim yükünün geçici değerlendirilmesi için de uygundur.

Belirtilen titreşim seviyesi, elektrikli el aletinin genel uygulamaları için geçerlidir. Ancak elektrikli el aleti başka uygulamalar için, farklı eklenti parçalarıyla ya da yetersiz bakım koşullarında kullanılırsa, titreşim seviyesi farklılık gösterebilir. Bu durumda, titreşim yükü toplam çalışma zaman aralığı içerisinde belirgin ölçüde yükselebilir.

Titreşim yükünün tam bir değerlendirilmesi için ayrıca cihazın kapalı olduğu süreler ve cihazın çalışır durumda olduğu, ancak gerçek kullanımda bulunmadığı süreler de dikkate alınmalıdır. Böylelikle, toplam çalışma zamanı aralığı boyunca meydana gelen titreşim yükü belirgin ölçüde azaltılabilir.

Kullanıcıyı titreşimlerin etkisinden korumak üzere, örneğin elektrikli el aletlerinin ve eklenti parçalarının bakımı, ellerin sıcak tutulması ve iş akışlarının organizasyonu gibi ek güvenlik tedbirleri belirleyiniz.

## ⚠ UYARI! Güvenlikle ilgili bütün açıklamaları, talimatları ve ilişikteki broşürde yazılı bulunan hususları okuyunuz.

Açıklanan uyarılara ve talimat hükümlerine uyulmadığı takdirde elektrik çarpmalarına, yangınlara ve/veya ağır yaralanmalara neden olunabilir.

**Bütün uyarıları ve talimat hükümlerini ileride kullanmak üzere saklayın.**

## GÜVENLİĞİNİZ İÇİN TALİMATLAR

**⚠ TEHLİKE: Ellerinizi kesilen yere ve testere bacağına yaklaştırmayın. İkinci elinizle ek tutamağı veya motor gövdesini tutun.** Her iki elinizde daire testereyi tutarsa, testere bacağı ellerinizi yaralayamaz.

**İş parçasının altını kavramayın.** Koruyucu kapak sizi iş parçası altında sizi testere bacağından koruyamaz.

**Kesme derinliğini iş parçasının kalınlığına göre ayarlayın.** İş parçası altında tam diş uzunluğunun daha azı görünmelidir.

**Kesilen iş parçasının hiçbir zaman elinizle tutmayın veya bacağına üzerine koymayın. İş parçasını sağlam bir zeminde emniyete alın.** Bedenle teması önlemek, testere bacağına sıkışması veya aletin kontrolünün kaybedilmesinin minimum düzeye indirilmesi açısından iş parçasının iyice tespit edilip sıkılması önemlidir.

**Görünmeyen elektrik kablolarının geçme olasılığı olan yerlerde çalışırken veya testere bacağı aletin şebeke bağlantısına temas olasılığının bulunduğu durumlarda aleti sadece izolasyonlu tutamaklarından tutun.** Elektrik akımı ileten kablolarla temas edilecek olursa metal alet elemanlarına da gerilim geçer ve bu da elektrik çarpmalarına neden olabilir.

**Uzunlamasına kesme yaparken daima bir dayamak veya düz bir kenar kılavuzu kullanın.** Bu, kesme hassasiyetini iyileştirir ve testere bacağına sıkışma olasılığını azaltır.

**Daima doğru büyüklükte ve biçimi bağlama flanşına uygun testere bıçakları kullanın (ağ şeklinde veya yuvarlak).** Testerenin montaj parçalarına uymayan testere bıçaklar, balanssız çalışır ve aletin kontrol dışına çıkma olasılığını artırır.

**Hiçbir zaman hasarlı testere bacağı alt besleme diski veya vida kullanmayın.** Testere bacağı alt besleme diski ve vidalar, işletme güvenliğini optimum düzeye getirmek üzere özel olarak tasarlanmış ve üretilmiştir.

Gerilme kuvvetinin nedenleri ve buna karşı alınacak önlemler:  
- Bir geri tepme kuvveti, takılan, sıkışan veya yanlış doğrultulan bir testere bacağına beklenmedik reaksiyonudur. Bu durum,

aletin kontrolde ve iş parçasından çıkarak kullanıcıya doğru hareket etmesine neden olabilir;

- Testere bacağı kesilen hat içinde takılır veya sıkışır, bloke olur. Böyle bir durumda motor kuvveti aleti kullanıcıya doğru geri iter;

- Testere bacağı kesme hattında açılma yapar veya yanlış doğrultulursa, testere bacağına arka tarafındaki dişler iş parçasının üst yüzüne takılabilir ve bunun sonucunda da testere bacağı kesme hattından dışarı çıkarak, geriyi doğru kullanıcıya doğru sıçrama yapar.

Bir geri tepme kuvvet, testerenin yanlış veya hatalı kullanımı sonucu ortaya çıkar. Geri tepme kuvvetleri aşağıda açıklanan uygun önlemlerle önlenemez.

**Testereyi iki elinizle birlikte sıkıca tutun ve ellerinizi geri tepme kuvvetini karşılayabilecek konumda tutun. Daima testere bacağına yan tarafında durun, hiçbir zaman testere bacağı ile aynı hatta bulunmayın.** Geri tepme halinde daire testere geri doğru sıçrar, ancak kullanıcı personel uygun önlemleri almışsa bu geri tepme kuvvetlerini tehlikesiz biçimde karşılayabilir.

**Testere bacağı sıkışır veya kesme işlemi başka herhangi bir nedenle kesilirse, açma/kapama şalterini bırakın ve testere bacağı tam duruncaya kadar testereyi malzeme içinde sakınca tutun. Testere bacağı hareket ettiği sürece ve geri tepme kuvveti kendini hissettirdiği sürece hiçbir zaman testereyi iş parçasından dışarı çıkarmayı denemeyin veya geri çekmeyin.** Testere bacağına sıkışma nedenini bulun ve bunu uygun önlemlerle giderein.

**İş parçası içinde bulunan bir testereyi tekrar çalıştırmak isterseniz, testere bacağına kesme hattında içinde merkezleyin ve testere dişlerinin iş parçasına takılı olup olmadığını kontrol edin.** Testere bacağı sıkışır (bloke olur) ve tekrar çalıştırılacak olursa iş parçasından dışarı çıkabilir veya bir geri tepme kuvvetine neden olabilir.

**Testere bacağına sıkışıp geri tepme tehlikesi yaratmaması için büyük boyutlu levhaları keserken güvenli bir biçimde destekleyin.** Büyük boyutlu levhalar kendi ağırlıkları nedeniyle bükülebilir. Bu levhalar her iki yandan, hem kesme hattının yakınından hem de kenardan desteklenmelidir.

**Körelmiş veya hasarlı testere bıçakları kullanılmayın.** Körelmiş veya yanlış doğrultulmuş testere bıçakları dar kesme hattında büyük bir sürtünme kuvvetinin oluşmasına, testere bacağına sıkışmasına ve geri tepme kuvvetlerinin oluşmasına neden olurlar.

**Kesme işlemine başlamadan önce kesme derinliği ve kesme hızı ayarlarını tam ve hassas biçimde ayarlayarak tespit edin.** Kesme sırasında ayarlar değişecek olursa, testere bacağı sıkışabilir ve geri tepme kuvveti oluşabilir.

**İçini görmediğiniz bir yere, örneğin bir duvarda “içten kesme” işlerinde özellikle dikkatli olun.** Malzeme içine dalan testere bacağı görünmeyen nesnelere nedeniyle bloke olabilir ve geri tepme kuvvetlerine neden olabilir.

**Her kullanımdan önce alt koruyucu kapağın kusursuz biçimde kapanıp kapanmadığını kontrol edin. Alt koruyucu kapak serbestçe hareket etmiyorsa ve hemen kapanıyorsa testereyi kullanmayın. Alt koruyucu kapağı açık konumda iken hiçbir zaman sığmayın veya yapıştırmayın.** Testere yanlışlıkla yere düşecek olursa, alt koruyucu kapak bükülebilir. Koruyucu kapağı geri çekme kolu ile açın ve serbest hareket edip etmediğini ve bütün kesme açısı ve kesme derinliklerinde ne testere bacağına ne de diğer parçalara temas edip etmediğini kontrol edin.

**Alt koruyucu kapağın yayını kontrol edin. Eğer alt koruyucu kapak ve yayı kusursuz olarak çalışmıyorsa aletinizi bakıma gönderin.** Hasarlı parçalar, yapışkan birikintiler veya talaş birikmeleri alt koruyucu kapağın gecikmeli olarak işlev görmesine neden olur.

**Alt koruyucu kapağı elinizle sadece “Malzeme içine dalmalı veya açılı” kesme gibi özel durumlarda açın. Alt koruyucu kapağı geri çekme kolu ile açın ve testere bacağı malzeme içine girince serbest bırakın.** Bütün diğer kesme işlerinde alt koruyucu kapak otomatik olarak çalışmalıdır.

**Alt koruyucu kapak testere bacağına kapatmadığı sürece testereyi tezgaha veya yere bırakmayın.** Korunmayan ve serbest döndüştüğü testere bacağı testereyi kesme yönünün tersine hareket ettirir ve önüne gelen malzemeyi keser. Bu sırada testerenin serbest dönüş süresine dikkat edin.

Tanıtım verileri bu kullanım kılavuzunda belirtilmemiş tertere bıçaklarını kullanmayın.

**Koruyucu kulaklık kullanın.** Çalışırken çıkan gürültü işitme kayıplarına neden olabilir.

Lütfen cihazların içinde taşıma levhaları (diskleri) monte ederek kullanmayın!

Açık havadaki prizler hatalı akım koruma şalteri ile donatılmış olmalıdır. Bu, elektrik tesisatınızda bir zorunluluktur. Lütfen aletimizi kullanırken bu hususa dikkat edin.

Aletle çalışırken daima koruyucu gözlük kullanın. Koruyucu iş eldivenleri, sağlam ve kaymaz ayakkabılar ve iş önlüğü kullanmanızı tavsiye ederiz.

Aletin kendinde bir çalışma yapmadan önce fişi prizden çekin.

Aleti sadece kapalı iken prize takın.

Bağlantı kablosunu aletten uzak tutun. Kablo daima aletin arkasında olmalıdır ve toplanmamalıdır.

Her kullanımdan önce alet, bağlantı kablosu, uzatma kablosu ve fişin hasarlı olup olmadığını ve ekipiy eskimedliğini kontrol edin. Hasarlı parçaları sadece uzmanına onartın.

Aleti elle kullanırken açma/kapama şalterini kilitlemeyin.

Çalışma sırasında ortaya çıkan toz genellikle sağlığa zararlıdır ve bedeninize temas etmemelidir. Uygun bir koruyucu toz maskesi kullanın

## KULLANIM

Bu daire testere, tahta, plastik ve alüminyumda düz hatlı kesme işlerinde kullanılabilir.

Bu alet sadece belirtildiği gibi ve usulüne uygun olarak kullanılabilir.

## CE UYGUNLUK BEYANI

Tek sorumlu olarak bu ürünün 98/37/EWG, 2004/108/EG yönetmelik hükümleri uyarınca aşağıdaki normlara ve norm dokümanlarına uygunluğunu beyan ederiz: EN 60745, EN 55014-1, EN 550142, EN 61000-3-2, EN 61000-3-3.



Winnenden, 2009-04-14

Rainer Kumpf  
Manager Product Development

## ŞEBEKE BAĞLANTISI

Aleti sadece tek fazlı alternatif akıma ve tip etiketi üzerinde belirtilen şebeke gerilimine bağlayın. Yapısı Koruma sınıfı II'ye girdiğinden alet koruyucu kontaklız prize de bağlanabilir.

## BAKIM

Aletin havalandırma aralıklarını daima temiz tutun.

Sadece Milwaukee aksesuarı ve yedek parçası kullanın. Nasıl değiştirileceği açıklanmamış olan yapı parçalarını bir Milwaukee müşteri servisinde değiştirin (Garanti ve servis adresi broşürüne dikkat edin).

Gerektiği takdirde aletin dağınık görünüş şeması, alet tipinin ve tip etiketi üzerindeki on hanelik sayının bildirilmesi koşulluyla müşteri servisinden veya doğrudan Milwaukee Electric Tool, Max-Eyth-Straße 10, D-71364 Winnenden, Germany.

## SEMBOLLER



Lütfen aleti çalıştırmadan önce kullanma kılavuzunu dikkatli biçimde okuyun.



Aletin kendinde bir çalışma yapmadan önce fişi prizden çekin.



Aksesuar - Teslimat kapsamında değildir, önerilen tamamlamalar aksesuar programında.



Elektrikli el aletlerini evdeki çöp kutusuna atmayınız! Kullanılmıys elektrikli aletleri, elektrik ve elektronik eski cihazlar hakkındaki 2002/96/EC Avrupa yönergelerine göre ve bu yönergeler ulusal hukuk kurallarına göre uyarlanarak, ayrı olarak toplanmalı ve çevre şartlarına uygun bir şekilde tekrar değerlendirilmeye gönderilmelidir.



## TECHNICKÁ DATA

Jmenovitý příkon .....	1050 W
Počet otáček při běhu naprázdno .....	5100 min <sup>-1</sup>
Pilový kotouč ø x díra ø .....	165 x 30 mm
Řezná hloubka max. 90° .....	56 mm
Řezná hloubka max. 45° .....	37 mm
Hmotnost bez kabelu .....	3,7 kg

### Informace o hluku / vibracích

Naměřené hodnoty odpovídají EN 60 745.

V třídě A posuzovaná hladina hluku přístroje činí typicky:

Hladina akustického tlaku (K=3dB(A)) .....

Hladina akustického výkonu (K=3dB(A)) .....

### Používejte chrániče sluchu !

Celkové hodnoty vibrací (vektorový součet tří směrů) zjištěné ve smyslu EN 60745.

Hodnota vibračních emisí a<sub>h</sub> .....

Kolisavost K .....

## VAROVÁNÍ

Úroveň chvění uvedená v tomto návodu byla naměřena podle metody měření stanovené normou EN 60745 a může být použita pro porovnání elektrického nářadí. Hodí se také pro přibližný odhad zatížení chvěním.

Uvedená úroveň chvění představuje hlavní účely použití elektrického nářadí. Jestliže se ale elektrické nářadí používá pro jiné účely, s odlišnými nástroji nebo s nedostatečnou údržbou, může se úroveň chvění odlišovat. To může značně zvýšit zatížení chvěním během celé pracovní doby.

Pro přesný odhad zatížení chvěním se musí také zohlednit časy, během kterých je přístroj vypnutý nebo kdy je sice v chodu, ale skutečně se s ním nepracuje. To může zatížení chvěním během celé pracovní doby značně snížit.

Stanovte doplňková bezpečnostní opatření pro ochranu obsluhy před účinky chvění jako například: technická údržba elektrického nářadí a nástrojů, udržování teploty rukou, organizace pracovních procesů.

**VAROVÁNÍ! Seznamte se se všemi bezpečnostními pokyny a sice i s pokyny v příložené brožuře.** Zanedbání při dodržování varovných upozornění a pokynů mohou mít za následek úder elektrickým proudem, požár a/nebo těžká poranění.

**Všechna varovná upozornění a pokyny do budoucna uschovejte.**

## SPECIÁLNÍ BEZPEČNOSTNÍ UPOZORNĚNÍ

**NEBEZPEČÍ: Mějte své ruce mimo oblast řezání a mimo pilový kotouč. Se svou druhou rukou držte přidavné držadlo nebo motorovou skříň.** Pokud obě ruce drží kotoučovou pilu, nemůže je pilový kotouč poranit.

**Nesahejte pod obrobek.** Ochranný kryt Vás pod obrobkem nemůže chránit před pilovým kotoučem.

**Přizpůsobte hloubku řezu tloušťce obrobku.** Pod obrobkem by měla být viditelná méně než celá výška zubu.

**Řezaný obrobek nikdy nedržte v ruce nebo přes nohu. Obrobek zajistěte na stabilní podložce.** Je důležité obrobek dobře upevnit, aby byl minimalizován kontakt s tělem, přičinění pilového kotouče nebo ztráta kontroly.

**Pokud provádíte práce, při kterých by řezný nástroj mohl zasáhnout skrytá el. vedení nebo vlastní kabel stroje, držte stroj pouze za izolované uchopovací plochy.** Kontakt s vedením pod napětím přivádí napětí i na kovové díly stroje a vede k elektrickému úderu.

**Při podélných řezech používejte vždy vodítko nebo přímé vedení podél hrany.** To zlepšuje přesnost řezu a snižuje možnost, že se pilový kotouč vzpříčí.

**Používejte vždy pilové kotouče ve správné velikosti a s vhodným upínacím otvorem (např. v hvězdicovém tvaru nebo kruhový).** Pilové kotouče, jež se nehodí k montážním dílům pily, běžjí nekruhově a vedou ke ztrátě kontroly.

**Nikdy nepoužívejte poškozené nebo špatné podložky nebo šrouby kotouče.** Podložky a šrouby pilových kotoučů byly zkonstruovány speciálně pro Vaši pilu, pro optimální výkon a provozní bezpečnost.

Příčiny a vyvarování se zpětného rázu:

- zpětný ráz je náhlá reakce v důsledku zaseknutí, vzpříčení nebo špatného vyrovnání pilového kotouče, která vede k tomu, že se pila nekontrolovatelně nadvíhne z obrobku a pohybuje se ve směru obsluhující osoby;

- když se pilový kotouč zasekne nebo vzpříčí do svírající se řezané mezery, zablokuje se a síla motoru udeří strojem zpět ve směru obsluhující osoby;

se volně pohyboval a nedotýkal se pilového kotouče ani jiných dílů při všech řezných úhlech a hloubkách.

**Zkontrolujte funkci pružiny pro spodní ochranný kryt. Nechte stroj před použitím zkontrolovat, pokud spodní ochranný kryt a pružina nepracují bezvadně.** Poškozené díly, lepkavé usazeniny nebo nahromaděné třísky brzdí spodní ochranný kryt při práci.

**Rukou otevřete spodní ochranný kryt pouze u výjimečných řezů, jako jsou "zаноřovací řezy a řezy pod úhlem". Otevřete spodní ochranný kryt pomocí páčky pro zpětné vytážení a uvolněte jej, jakmile pilový kotouč vnikl do obrobku.** U všech ostatních řezacích prací musí spodní ochranný kryt pracovat automaticky.

**Pilu neodkládejte na pracovní stůl nebo podlahu bez toho, aby spodní ochranný kryt zakrýval pilový kotouč.**

Nechráněný, dobíhající pilový kotouč pohybuje pilou proti směru řezání a řeže vše co mu stojí v cestě. Respektujte při tom dobu dobehu pily.

Pilové kotouče, které neodpovídají požadavkům podle tohoto návodu se nesmí používat.

**Používejte chrániče sluchu.** Působením hluku může dojít k poškození sluchu.

Nepoužívejte prosím s brusnými kotouči!

Ve venkovním prostředí musí být zásuvky vybaveny proudovými chráničem. Je to vyžadováno instalačním předpisem pro toto el.zařízení. Dodržujte ho při používání tohoto nářadí, prosím.

Při práci se strojem neustále nosit ochranné brýle. Doporučuje se používat ochranné rukavice, pevnou protiskluzovou obuv a zástěru.

Před zahájením veškerých prací na stroji vytáhnout síťovou zástrčku ze zásuvky.

Stroj zapínat do zásuvky pouze když je vypnutý.

Neustále dbát na to, aby byl kabel pro připojení k elektrické síti mimo dosah stroje. Kabel vést vždy směrem dozadu od stroje.

Před každým použitím překontrolujte stroj, kabel, prodlužovací kabel i zástrčku, zda nenesou stopy poškození nebo stárnutí. Poškozené součástky dejte opravit pouze odborníkov.

Při ručním vedení pily neareutujte vypínač.

Prach vznikající při práci s tímto nářadím může být zdraví škodlivý. Proto by neměl přijít do styku s tělem. Používejte při práci vhodnou ochranou masku.

## OBLAST VYUŽITÍ

Okružní pila je vhodná k přímému řezání do dřeva, plastů a aluminia.

Toto zařízení lze používat jen pro uvedené účel.

## CE-PROHLÁŠENÍ O SHODĚ

Se vši zodpovědností prohlašujeme, že tento výrobek odpovídá následujícím normám a normativním dokumentům: EN 60745, EN 55014-1, EN 55014-2, EN 61000-3-2, EN 61000-3-3, EN 61000-3-3, v souladu se směrnicemi EHS č. 98/37/EG, 2004/108/EG



Winnenden, 2009-04-14

Rainer Kumpf  
Manager Product Development

## PŘIPOJENÍ NA SÍŤ

Připojit pouze do jednofázové střídavé sítě o napětí uvedeném na štítku. Lze připojit i do zásuvky bez ochranného kontaktu neboť spotřebič je třídy II.

## ÚDRŽBA

Větrací štěrby nářadí udržujeme stále čisté.

Používat výhradně příslušenství Milwaukee a náhradní díly Milwaukee. Díly jejichž výměny nebyla popsána, nechte vyměnit v autorizovaném servisu (viz: "Záruky / Seznam servisních míst)

Při potřebě podrobného rozkresu konstrukce, oslovte informací o typu a desetimístném objednávacím čísle přímo servis a nebo výrobce, Milwaukee Electric Tool, Max-Eyth-Straße 10, D-71364 Winnenden, Germany.

## SYMBOLY



Před spuštěním stroje si pečlivě pročtěte návod k používání.



Před zahájením veškerých prací na vrtacím kladivu vytáhnout síťovou zástrčku ze zásuvky.



Příslušenství není součástí dodávky, viz program příslušenství.



Elektrické nářadí nevyhazujte do komunálního odpadu! Podle evropské směrnice 2002/96/EG o nakládání s použitými elektrickými a elektronickými zařízeními a odpovídajících ustanovení právních předpisů jednotlivých zemí se použitá elektrická nářadí musí sbírat odděleně od ostatního odpadu a podrobit ekologicky šetrnému recyklování.



## TECHNICKÉ ÚDAJE

Menovitý príkon .....	1050 W
Otáčky naprázdno .....	5100 min <sup>-1</sup>
Priemer pilového listu x priemer diery .....	165 x 30 mm
Max. hĺbka rezu pri 90° .....	56 mm
Max. hĺbka rezu pri 45° .....	37 mm
Hmotnosť bez sieťového kábla .....	3,7 kg

### Informácia o hluku / vibráciách

Namerané hodnoty určené v súlade s EN 60745.

V triede A posudzovaná hladina hluku prístroja činí typicky:

Hladina akustického tlaku (K=3dB(A)) .....	95 dB(A)
Hladina akustického výkonu (K=3dB(A)) .....	106 dB(A)

### Používajte ochranu sluchu!

Celkové hodnoty vibrácií (vektorový súčet troch smerov) zistené v zmysle EN 60745.

Hodnota vibračných emisií a <sub>h</sub> .....	< 2,5 m/s <sup>2</sup>
Kolisavosť K .....	1,5 m/s <sup>2</sup>

## POZOR

Úroveň vibrácií uvedená v týchto pokynoch bola nameraná meracou metódou, ktorú stanovuje norma EN 60745 a je možné ju použiť na vzájomné porovnanie elektrického náradia. Hodí sa aj na predbežné posúdenie kmitavého namáhania.

Uvedená úroveň vibrácií reprezentuje hlavné aplikácie elektrického náradia. Ak sa však elektrické náradie používa pre iné aplikácie, s odlišnými vloženými nástrojmi alebo s nedostatočnou údržbou, môže sa úroveň vibrácií líšiť. Toto môže kmitavé namáhanie v priebehu celej pracovnej doby podstatne zvýšiť.

Pre presný odhad kmitavého namáhania by sa mali tiež zohľadniť doby, v ktorých je náradie vypnuté alebo je síce v chode, ale v skutočnosti sa nepoužíva. Toto môže kmitavé namáhanie v priebehu celej pracovnej doby zreteľne redukovať.

Stanovte dodatočné bezpečnostné opatrenia pre ochranu obsluhy pred účinkami vibrácií, ako napríklad: údržba elektrického náradia a vložených nástrojov, udržiavanie teploty rúk, organizácia pracovných postupov.

## ⚠ POZOR! Zoznámte sa so všetkými bezpečnostnými pokynmi a síce aj s pokynmi v priloženej brožúre.

Zanedbanie dodržiavania Výstražných upozornení a pokynov uvedených v nasledujúcom texte môže mať za následok zásah elektrickým prúdom, spôsobiť požiar a/alebo ťažké poranenie.

**Tieto výstražné upozornenia a bezpečnostné pokyny starostlivo uschovajte na budúce použitie.**

## ŠPECIÁLNE BEZPEČNOSTNÉ POKYNY

**⚠ NEBEZPEČENSTVO: Nedávajte ruky do pracovného priestoru píly ani k pilovému listu. Druhrou rukou držte prídavnú rukoväť alebo teleso motora.** Ak kotúčovou pílu držia obe ruky, pilový list ich nemôže poraniť.

**Nesiahajte pod obrobok.** Ochranný kryt vás pod obrobkom nemôže ochraňovať pred pilovým listom.

**Hrúbku rezu prispôbte hrúbke obrobka.** Pod obrobkom by malo byť vidieť menej pilového listu ako plnú výšku zuba píly.

**Nikdy nedržte pri rezaní obrobok v ruke ani ho nepridržiavajte nad nohou. Zabezpečte obrobok na stabilnom podklade.** Je dôležité, aby bol obrobok dobre upevnený, aby sa na minimum zmenšilo nebezpečenstvo kontaktu s telom, zablokovania pilového listu alebo straty kontroly.

**Náradie držte za izolované plochy rukoväti pri vykonávaní takej práce, pri ktorej by mohol rezací nástroj nárať na skryté elektrické vedenia alebo zasiahnuť vlastnú privodnú šnúru.** Kontakt s vedením, ktoré je pod napätím, spôsobí, že aj kovové súčiastky náradia sa dostanú pod napätie, čo má za následok zásah elektrickým prúdom.

**Pri pozdĺžnom rezaní vždy používajte doraz, alebo vedte náradie pozdĺž rovnej hrany.** To zlepšuje presnosť rezu a znižuje možnosť zablokovania pilového listu.

**Používajte vždy pilové listy správnej veľkosti a s vhodným upínacím otvorom (napríklad hviezdicovým alebo okrúhlym).** Pilové listy, ktoré sa nehodia k montážnym súčiastkam píly, nebežia celkom rotačne a spôsobia stratu kontroly obsluhy na náradí.

**Nikdy nepoužívajte poškodené podložky alebo nesprávne upevňovacie skrutky pilových listov.** Podložky a upevňovacie skrutky pilových listov boli skonštruované špeciálne pre túto pílu, aby dosahovala optimálny výkon a mala optimálnu bezpečnosť prevádzky.

Dôvody spätných rázov a predchádzanie spätným rázom:

- spätný ráz je náhlou reakciou zablokovaného, vzpriceneného alebo nesprávne nastaveného pilového listu, ktorý má za

následok nekontrolované zdvihnutie píly a jej pohyb do obrobku smerom k obsluhujúcej osobe;

- keď sa pilový list zasekne alebo vzpricí v uzavierajúcej sa štrbine rezu, zablokuje sa a sila motora vyhodí náradie smerom na obsluhujúcu osobu;

- keď je pilový list v reze natočený alebo nesprávne nastavený, môžu sa zuby zadnej hrany pilového listu zahryznúť do povrchovej plochy obrobku, čím sa pilový list vysunie z rezacej štrbiny a píla poskočí smerom k obsluhujúcej osobe.

Spätný ráz je následkom nesprávneho a chybného používania píly. Vhodnými preventívnymi opatrenia, ktoré popisujeme v nasledujúcom texte, mu možno zabrániť.

**Držte pílu dobre oboma rukami a majte paže v takej polohe, v ktorej budete vedieť prípadnú silu spätného rázu zvládnuť. Vždy stojte v bočnej polohe k rovine pilového listu, nikdy nedávajte pilový list do jednej línie so svojím telom.** Pri spätnom ráze môže píla skočiť smerom dozadu, avšak keď sa urobia potrebné opatrenia, môže obsluhujúca osoba silu spätného rázu zvládnuť.

**Ak sa pilový list zablokuje alebo ak sa pílenie preruší z iného dôvodu, uvoľnite vypínač a držte pílu v materiáli obrobku dovtedy, kým sa pilový list celkom zastaví. Nikdy sa nepokúšajte vyberať pílu z obrobku alebo ju ťahať smerom dozadu, kým sa pilový list pohybuje alebo kým môže vzniknúť spätný ráz.** Nájdite príčinu zablokovania pilového listu a pomocou vhodných opatrení ju odstráňte.

**Keď chcete znova spustiť pílu, ktorá je v obrobku, vycentrujte pilový list v štrbine rezu a skontrolujte, či nie sú zuby píly zaseknuté v materiáli obrobku.** Keď je pilový list zablokovaný, nedá sa v obrobku pohnúť, alebo môže spôsobiť spätný ráz, ak by sa píla znova spustila.

**Veľké platne pri pílení podoprite, aby ste znížili riziko spätného rázu zablokovaním pilového listu.** Veľké platne sa môžu následkom vlastnej hmotnosti prehnúť. Platne treba podpierať na oboch stranách, aj v blízkosti štrbiny rezu aj na kraji.

**Nepožívajte tupé ani poškodené pilové listy.** Pilové listy s otupenými zubami alebo s nesprávne nastavenými zubami vytvárajú príliš úzku štrbinu rezu a tým spôsobujú zvýšené trenie, blokovanie pilového listu alebo vyvolanie spätného

**Pred pílením dobre utiahnite nastavenia hĺbky rezu a uhla rezu.** Keď sa počas pílenia nastavenie zmení, môže sa pilový list zablokovať a spôsobiť spätný ráz náradia.

**Osobitne opatrny buďte pri používaní rezania "zapichovaním" (zanoranívaním) do skrytého priestoru, napríklad do existujúcej steny.** Zapichovaný pilový list môžu

pri pílení zablokovať rôzne skryté objekty, čo môže spôsobiť spätný ráz.

**Pred každým použitím náradia skontrolujte, či bezchybne pracuje spodný ochranný kryt. Nepoužívajte kotúčovú pílu, keď sa dolný ochranný kryt nedá voľne pohybovať a keď okamžite automaticky neuzatvára. Nikdy nezablokujte a neprivádzajte dolný ochranný kryt v otvorenej polohe.** Ak vám píla neúmyselne spadla na zem, mohol by sa dolný ochranný kryt skriviť. Pomocou vrtej páčky otvorte ochranný kryt a zabezpečte, aby sa voľne pohyboval a pri žiadaní z nastaviteľných uhlov rezu a žiadnej z nastaviteľných hĺbok rezu sa nedotýkal ani pilového listu ani ostatných súčiastok náradia.

**Skontrolujte činnosť pružiny dolného ochranného krytu. Dajte vykonať na náradí pred jeho použitím opravu, ak dolný ochranný kryt a pružina nepracujú bezchybne.** Poškodené súčiastky, lepkavé usadeniny alebo nakopena triesok spôsobujú, že dolný ochranný kryt pracuje spomalene.

**Otvorte dolný ochranný kryt rukou len pri špeciálnych rezoch, ako sú "rezanie zapichnutím" a "rezanie šikmých rezov". Dolný ochranný kryt otvárajte pomocou vrtej páčky a len čo pilový list vnikol do obrábaného materiálu, páčku pustíte.** Pri všetkých ostatných prácach musí pracovať dolný ochranný kryt automaticky.

**Nikdy nekladte pílu na pracovný stôl ani na podlahu bez toho, aby bol pilový list krytý dolným ochranným krytom.** Nechránený dobiehajúci pilový list spôsobí pohyb píly proti smeru rezu a reže všetko, čo mu stojí v ceste. Všímajte si dobu dobehu pilového listu.

Pilové listy, ktoré nezodpovedajú charakteristikám uvedeným v návode na použitie, nesmú sa použiť.

**Používajte ochranu sluchu.** Pôsobenie hluku môže spôsobiť stratu sluchu.

Nepoužívajte prosím s brusnými kotúčmi!

Zásuvky vo vonkajšom prostredí musia byť vybavené ochranným spínačom proti prudovým nárazom. Toto je inštalčný predpis na Vaše elektrické zariadenie. Venujte prosím tomuto pozornosť pri používaní nášho prístroja.

Pri práci so strojom vždy noste ochranné okuliare. Odporúčame ochranné rukavice, pevnú protišmykovú obuv a zásteru.

Pred každou prácou na stroji vyťahnite zástrčku zo zásuvky.

Len vypnutý stroj pripájajte do zásuvky.

Pripojovací kábel držte mimo pracovnej oblasti stroja. Kábel smerujte vždy smerom dozadu od stroja.

Pred každým použitím skontrolujte prístroj, pripojovací kábel, predlžovací kábel a zástrčku, či nedošlo k poškodeniu alebo zostárnutiu. Poškodené časti nechať opraviť odborníkom.

Pri ručnom vedení vypínač nearetovať.

Prach vznikajúci pri práci môže byť škodlivý zdraviu. Pri práci nosiť vhodnú ochrannú masku, aby sa nedostal do ľudského organizmu.

## POUŽITIE PODĽA PREDPISOV

Ručná okružná píla je vhodná na robenie priamych rezov do dreva, plastu a hliníka.

Tento prístroj sa smie používať len v súlade s uvedenými predpismi.

## CE - VYHLÁSENIE KONFORMITY

Vyhlasujeme v našej výhradnej zodpovednosti, že tento produkt zodpovedá nasledovným normám alebo normatívnym dokumentom. EN 60745, EN 55014-1, EN 55014-2, EN 61000-3-2, EN 61000-3-3, EN 61000-3-3, podľa predpisov smerníc 98/37/EG, 2004/108/EG.



Winnenden, 2009-04-14

Rainer Kumpf  
Manager Product Development

## SIEŤOVÁ PRÍPOJKA

Pripájať len na jednofázový striedavý prúd a na sieťové napätie uvedené na štítku. Pripojenie je možné aj do zásuviek bez ochranného kontaktu, pretože ide o konštrukciu ochrannej triedy II.

## ÚDRZBA

Vetracie otvory udržiavať stále v čistote.

Používať len Milwaukee príslušenstvo a Milwaukee náhradné diely. Súčiastky bez návodu na výmenu treba dať vymeniť v jednom z Milwaukee zákaznických centier (viď brožúru Záruka/ Adresy zákaznických centier).

Pri udaní typu stroja a desaťmiestneho čísla nachádzajúceho sa na štítku dá sa v prípade potreby vyžiadať explozívna schéma prístroja od Vášho zákaznického centra alebo priamo v Milwaukee Electric Tool, Max-Eyth-Straße 10, D-71364 Winnenden, Germany.

## SYMBOLY



Pred prvým použitím prístroja si pozorne prečítajte návod na obsluhu.



Pred každou prácou na stroji vyťahnuť zástrčku zo zásuvky.



Príslušenstvo - nie je súčasťou štandardnej výbavy, odporúčané doplnenie z programu príslušenstva.



Elektrické náradie nevyhadzujte do komunálneho odpadu! Podľa európskej smernice 2002/96/EG o nakladaní s použitými elektrickými a elektronickými zariadeniami a zodpovedajúcich ustanovení právnych predpisov jednotlivých krajín sa použité elektrické náradie musí zbierať oddelene od ostatného odpadu a podrobiť ekologicky šetrnej recyklácii.

## DANE TECHNICZNE

Znamionowa moc wyjściowa .....	1050 W
Prędkość bez obciążenia.....	5100 min <sup>-1</sup>
Średnica ostrza piły x średnica otworu .....	165 x 30 mm
Maksymalna głębokość cięcia 90°.....	56 mm
Maksymalna głębokość cięcia 45°.....	37 mm
Ciężar bez kabla .....	3,7 kg

### Informacja dotycząca szumów/wibracji

Zmierzone wartości wyznaczono zgodnie z normą EN 60 745.

Poziom szumów urządzenia oszacowany jako A wynosi typowo:

Poziom ciśnienia akustycznego (K=3 dB(A)).....	95 dB(A)
Poziom mocy akustycznej (K=3 dB(A)).....	106 dB(A)

### Należy używać ochraniaczy uszu!

Wartości łączne drgań (suma wektorowa trzech kierunków)

wyznaczone zgodnie z normą EN 60745

Wartość emisji drgań a <sub>w</sub> .....	< 2,5 m/s <sup>2</sup>
Niepewność K.....	1,5 m/s <sup>2</sup>

## OSTRZEŻENIE

Podany w niniejszych instrukcjach poziom drgań został zmierzony za pomocą metody pomiarowej zgodnej z normą EN 60745 i może być użyty do porównania ze sobą elektronarzędzi. Nadaje się on również do tymczasowej oceny obciążenia wibracyjnego.

Podany poziom drgań reprezentuje główne zastosowania elektronarzędzia. Jeśli jednakże elektronarzędzie użyte zostanie do innych celów z innym narzędziami roboczymi lub nie jest dostatecznie konserwowane, wtedy poziom drgań może wykazywać odchylenia. Może to wyraźnie zwiększyć obciążenie wibracjami przez cały okres pracy.

Dla dokładnego określenia obciążenia wibracjami należy uwzględnić również czasy, w których urządzenie jest wyłączone względnie jest włączone, lecz w rzeczywistości nie pracuje. Może to spowodować wyraźną redukcję obciążenia wibracyjnego w całym okresie pracy.

Należy wprowadzić dodatkowe środki zapobiegawcze celem ochrony obsługującego przed oddziaływaniem drgań, jak na przykład: konserwacja narzędzi roboczych i elektronarzędzi, nagrzanie rąk, organizacja przebiegu pracy.

**⚠ OSTRZEŻENIE! Prosimy o przeczytanie wskazówek bezpieczeństwa i zaleceń, również tych, które zawarte są w załączonej broszurze.** Błędy w przestrzeganiu poniższych wskazówek mogą spowodować porażenie prądem, pożar i/lub ciężkie obrażenia ciała.  
**Należy starannie przeczytać wszystkie przepisy i wskazówki bezpieczeństwa dla dalszego zastosowania.**

## INSTRUKCJE DOTYCZĄCE BEZPIECZEŃSTWA

**⚠ NIEBEZPIECZEŃSTWO: Należy uważać, by ręce nie dostały się w zasięg piłowania i nie dotknęły brzości. Drugą ręką należy trzymać uchwyt dodatkowy lub obudowę silnika.** Gdy obydwie ręce trzymają piłę tarczową, brzości nie może ich zranić.

**Nie należy chwycić niczego pod obrabianym przedmiotem.** Osłona ochronna nie może chronić Państwa przed brzością pod obrabianym przedmiotem.

**Głębokość cięcia należy dopasować do grubości obrabianego przedmiotu.** Powinno być widoczne mniej niż pełna wysokość zębów pod obrabianym przedmiotem.

**Nie należy nigdy trzymać przedmiotu do piłowania w ręce lub podtrzymywać nogą. Obrabiany przedmiot należy zabezpieczyć na stabilnym podłożu.** Ważne jest, by obrabiany przedmiot dobrze umocować, aby zmniejszyć niebezpieczeństwo kontaktu z ciałem, zablokowanie się brzości i/lub utraty kontroli nad urządzeniem.

**Urządzenie należy trzymać jedynie za izolowane powierzchnie uchwytu, gdy przeprowadza się prace, przy których narzędzie skrawające mogłoby natrafić na ukryte przewody prądu lub własny kabel zasilający.** Kontakt z przewodami pod napięciem wprowadza również metalowe części urządzenia pod napięcie i prowadzi do porażenia prądem.

**Przy cięciach wzdłużnych należy używać zawsze oporu lub prostej prowadnicy krawędzi.** Polepsza to dokładność cięcia i zmniejsza możliwość, że brzości się zablokuje.

**Należy używać zawsze brzości odpowiedniej wielkości i z pasującym otworem zamocowania (np. gwiazdowym lub okrągłym).** Brzości, które nie pasują do części montażowych piły kręcą się nierównomiernie i prowadzą do utraty kontroli nad urządzeniem.

**Nie należy używać nigdy uszkodzonych lub złych podkładek lub śrub do brzości.** Podkładki i śruby do brzości zostały skonstruowane specjalnie dla Państwa piły, w celu optymalnej wydajności i bezpieczeństwa pracy.

Przyczyny i uniknięcie odbicia zwrotnego:

- Odbicie zwrotne jest nagłą reakcją jako następstwo haczących się, zablokowanych lub nieprawidłowo nastawionych brzości, które prowadzi do tego, że niekontrolowana piła podnosi się i porusza wysuwając z obrabianego przedmiotu w kierunku osoby obsługującej urządzenie;

- Gdy brzości zahaczy się lub zablokuje w zamykającym się rżnię, brzości blokuje się a siła silnika odbija urządzenie w kierunku osoby obsługującej urządzenie;

- Gdy brzości zostanie przekroczony lub nieprawidłowo ustawiony w rżnię, zęby tylnej krawędzi brzości mogą się zahaczyć na powierzchni obrabianego przedmiotu, przez co brzości wysuwa się z rżni, a piła odskakuje w kierunku osoby obsługującej urządzenie.

Odbicie zwrotne jest następstwem nieprawidłowego lub błędnego używania piły. Można mu zapobiec stosując odpowiednie środki ostrożności, tak jak opisano niżej.

**Piłę należy trzymać obydwo rękami a ramiona powinny zająć taką pozycję, w której można oprzeć się siłom odbicia zwrotnego. Należy przyjąć pozycję zawsze z boku brzości, nigdy nie doprowadzić do tego, by brzości znajdował się na jednej linii z ciałem.** Przy odbiciu zwrotnym piła może odskoczyć do tyłu, jednak osoba ją obsługująca może zapanować nad siłami odbicia zwrotnego, gdy zostały przedsięwzięte odpowiednie środki zaradcze.

**W przypadku, gdy brzości zablokował się lub piłowanie zostało przerwane z innego powodu, należy zwolnić włącznik/wyłącznik i piłę trzymać spokojnie w obrabianym materiale, aż do momentu, gdy brzości znajduje się całkowicie w bezruchu.** Nie należy nigdy próbować wyjęcia piły z obrabianego przedmiotu lub ciągnięcia jej do tyłu tak długo, jak długo brzości znajduje się w ruchu, lub mógłby zdarzyć się odbicie zwrotne. Należy wykryć przyczynę zablokowania się brzości i usunąć ją odpowiednimi środkami zaradczymi.

**Gdy chce się ponownie włączyć piłę, która tkwi w obrabianym przedmiocie, należy brzości wycentrować w rżnię i skontrolować, czy zęby piły nie są zahaczone w obrabianym przedmiocie.** W przypadku, gdy brzości jest zablokowany, może on wypaść z obrabianego przedmiotu lub spowodować odbicie zwrotne, gdy piła zostanie ponownie włączona.

**Duże płyty należy podeprzeć, aby zmniejszyć ryzyko odbicia zwrotnego spowodowane zablokowaniem brzości.** Duże płyty mogą się przegiąć pod ciężarem własnym. Płyty muszą być z dwóch stron podparte, zarówno w pobliżu rżni, jak i na krawędzi.

**Nie należy używać tępych lub uszkodzonych brzości.** Brzości z tępych lub nieprawidłowo ustawionymi zębami powodują podwyższone tarcie, zablokowanie i odbicie zwrotne, spowodowane za wąskim rżniem.

**Przed piłowaniem należy dokonać nastawienia głębokości i kąta cięcia.** W przypadku, gdy nastawienia zmienia się podczas piłowania, brzości może się zablokować i tym samym wystąpić odbicie zwrotne.

**Należy być szczególnie ostrożnym przy wykonywaniu „cięcia wgłębego” w ukrytym zasięgu pracy, np. w isniejącej ścianie.** Wgłębiający się brzości może się przy cięciu w ukrytych obiektach zablokować i spowodować odbicie zwrotne.

**Przed każdym użyciem należy skontrolować, czy dolna osłona ochronna zamyka się prawidłowo. Nie należy używać piły, gdy dolna osłona ochronna nie porusza się bez przeszkód i nie zamyka się natychmiast. Nie dozwolone jest blokowanie lub przywiązywanie dolnej osłony ochronnej w pozycji otwartej.** Gdy piła upadnie niezamierzenie na podłoże, osłona ochronna może się skrzywić. Należy otworzyć osłonę ochronną dźwignią odciągającą i zabezpieczyć, by poruszała się ona bez przeszkód i przy wszystkich kątach i głębokościach cięcia nie dotykała zarówno brzości jak i innych części.

**Należy skontrolować funkcjonowanie sprężyn do dolnej osłony ochronnej. Przed użyciem należy urządzenie oddać do doglądu, gdy dolna osłona ochronna i sprężyny pracują nieprawidłowo.** Uszkodzone części, klejące się osady lub spierające się wióry powodują opóźnioną pracę osłony ochronnej.

**Otworzyć ręcznie dolną osłonę ochronną tylko przy szczególnych rodzajach cięcia, takich jak „cięcie wgłębne i pod kątem”.** Dolną osłonę ochronną otworzyć dźwignią odciągającą i ponownie zwolnić, skoro tylko brzości zagłębił się w obrabiany przedmiot. Przy wszystkich innych pracach dolna osłona ochronna musi pracować automatycznie.

**Piły nie należy odkładać na stole roboczym lub podłożu, gdy dolna osłona ochronna nie zakrywa brzości.** Niezabezpieczony, będący na wybiegu brzości porusza piłę w kierunku odwrotnym do kierunku cięcia i tnie wszystko, co stoi na przeszkodzie. Przy tym należy uważać na czas opóźnienia wybiegu piły.

Nie używać ostrej nie odpowiadających głównym parametrom podanym w instrukcji obsługi.

**Stosować środki ochrony słuchu!** Narażenie na hałas może spowodować utratę słuchu.

Proszę nie stosować tarcz szlifierskich

Urządzenia pracujące w wielu różnych miejscach, w tym poza pomieszczeniami zamkniętymi, należy podłączać poprzez ochronny wyłącznik udarowy.

Podczas pracy należy zawsze nosić okulary ochronne. Zalecane jest także noszenie rękawic, mocnego, nie ślizgającego się obuwia oraz ubrania roboczego.

Przed przystąpieniem do jakichkolwiek prac związanych z elektronarzędziem należy wyjąć wtyczkę z gniazdka.

Elektronarzędzie można podłączać do gniazdka sieciowego tylko wtedy, kiedy jest wyłączone.

Kabel zasilający nie może znajdować się w obszarze roboczym elektronarzędzia. Powinien on się zawsze znajdować się za operatorem.

Przed rozpoczęciem pracy sprawdzić, czy na elektronarzędziu, kablu i wtyczce nie ma oznak uszkodzeń lub zmechanienia materiału. Naprawy mogą być przeprowadzane wyłącznie przez upoważnionych Przedstawicieli Serwisu.

Nie blokować wyłącznika w pozycji „on” („włączony”) przy pracy z piłą trzymaną w rękach.

Kurz powstający przy pracy z tym elektronarzędziem może być szkodliwy dla zdrowia, w związku z tym nie powinien dotrzeć do ciała. Nosić odpowiednią maskę przeciwpyłową.

## WARUNKI UŻYTKOWANIA

Elektroniczna pilarka tarczowa może być używana do cięcia wzdłużnego oraz cięcia skośnego w drewnie, tworzywach sztucznych oraz aluminium.

Produkt można użytkować wyłącznie zgodnie z jego normalnym przeznaczeniem.

## ŚWIADCTWO ZGODNOŚCI CE

Oświadczamy z pełną odpowiedzialnością, że produkt ten odpowiada wymaganiom następujących norm i dokumentów normatywnych: EN 60745, EN 55014-1, EN 55014-2, EN 61000-3-2, EN 61000-3-3 i jest zgodny z wymaganiami dyrektyw: 98/37/EG, 2004/108/EG.



Winnenden, 2009-04-14

Rainer Kumpf  
Manager Product Development

## PODŁĄCZENIE DO SIECI

Podłączać tylko do źródła zasilania prądem zmiennym jednofazowym i wyłącznie o napięciu podanym na tabliczce znamionowej. Możliwe jest również podłączenie do gniazdka bez ziemia, ponieważ konstrukcja odpowiada II klasie bezpieczeństwa.

## UTRZYMANIE I KONSERWACJA

Otwory wentylacyjne elektronarzędzia muszą być zawsze drożne.

Używać tylko i wyłącznie wyposażenia dodatkowego Milwaukee i części zamiennych Milwaukee. Gdyby trzeba było wymienić części, które nie zostały opisane, należy skontaktować się z przedstawicielem serwisu Milwaukee (patrz wykaz adresów punktów usługowych/gwarancyjnych).

Na życzenie można otrzymać rysunek widoku zespołu rozebranego. Przy zamawianiu należy podać dziesięciocyfrowy numer oraz typ elektronarzędzia umieszczony na tabliczce znamionowej. Zamówienia można dokonać albo u lokalnych przedstawicieli serwisu, albo bezpośrednio w Milwaukee Electric Tool, Max-Eyth-Straße 10, D-71364 Winnenden, Germany.

## SYMBOLS



Przed uruchomieniem elektronarzędzia zapoznać się uważnie z treścią instrukcji.



Przed przystąpieniem do jakichkolwiek prac przy elektronarzędziu należy wyjąć wtyczkę z kontaktu.



Wyposażenie dodatkowe dostępne osobno.



Nie wyrzucaj elektronarzędzi wraz z odpadami z gospodarstwa domowego! Zgodnie z Europejską Dyrektywą 2002/96/WE w sprawie zużytego sprzętu elektrotechnicznego i elektronicznego oraz dostosowaniem jej do prawa krajowego, zużyte elektronarzędzia należy posegregować i zutylizować w sposób przyjazny dla środowiska.



## MŰSZAKI ADATOK

Névleges teljesítményfelvétel .....	1050 W
Üresjárat fordulatszám.....	5100 min <sup>-1</sup>
Fűrészlap átmérő x lyukátmérő .....	165 x 30 mm
Vágásmélység max 90 foknál.....	56 mm
Vágásmélység max 45 foknál.....	37 mm
Súly hálózati kábel nélkül.....	3,7 kg

### Zaj-/Vibráció-információ

A közölt értékek megfelelnek az EN 60 745 szabványnak.

A készülék munkahelyi zajszintje tipikusan:

Hangnyomás szint (K = 3 dB(A)) .....	95 dB(A)
Hangteljesítmény szint (K = 3 dB(A)).....	106 dB(A)

### Hallásvédő eszköz használata ajánlott!

Összesített rezgésértékek (három irány vektoriális összege) az EN 60745-nek megfelelően meghatározva.

a rezgésemisszió érték.....	< 2,5 m/s <sup>2</sup>
K bizonytalanság.....	1,5 m/s <sup>2</sup>

## FIGYELMEZTETÉS

A jelen utasításokban megadott rezgésszint értéke az EN 60745-ben szabályozott mérési eljárásnak megfelelően került leírásra, és használható elektromos származékokkal történő összehasonlításhoz. Az érték alkalmas a rezgésterhelés előzetes megbecsülésére is.

A megadott rezgésszint-érték az elektromos szerszám legfőbb alkalmazásait reprezentálja. Ha az elektromos szerszámot azonban más alkalmazásokhoz, eltérő használati szerszámokkal vagy nem elegendő karbantartással használják, a rezgésszint értéke eltérő lehet. Ez jelentősen megnövelheti a rezgésterhelést a munkavégzés teljes időtartama alatt.

A rezgésterhelés pontos megbecsüléséhez azokat az időket is figyelembe kell venni, melyekben a készülék lekapcsolódik, vagy ugyan működik, azonban ténylegesen nincs használatban. Ez jelentősen csökkenti a rezgésterhelést a munkavégzés teljes időtartama alatt.

Határozzon meg további biztonsági intézkedéseket a kezelő védelmére a rezgések hatása ellen, például: az elektromos és a használt szerszámok karbantartásával, a kezek melegen tartásával, a munkafolyamatok megszervezésével.

**▲ FIGYELMEZTETÉS!** Olvasson el minden biztonsági útmutatót és utasítást, a mellékelt brosúrában találhatóakat is. A következőkben leírt előírások betartásának elmulasztása áramütésekhez, tűzhöz és/vagy súlyos testi sérülésekhez vezethet. **Kérjük a későbbi használatra gondosan őrizze meg ezeket az előírásokat.**

## KÜLÖNLEGES BIZTONSÁGI TUDNIVALÓK

**▲ VESZÉLY:** **Sohase tegye be a kezét a fűrészelési területre és sohasse érjen hozzá a fűrészlapozhoz. Fogja meg a másik kezével a pófogantyút vagy a motorházat.** Ha mindkét kezével tartja a körfűrész, akkor az nem tudja megsérteni a kezét.

**Sohase nyúljon be a munkadarab alá.** A védőburkolat a munkadarab alatt nem nyújt védelmet a fűrészlappal szemben.

**A vágási mélységet a munkadarab vastagságának megfelelően kell megválasztani.** A fűrészlapból a munkadarab alatt kevesebb mind egy teljes fogmagasságnynak kell kilátszania.

**Sohase a kezével vagy a lábán vagy a lábával próbálja meg a fűrészelésre kerülő munkadarabot lefogni. A megmunkálásra kerülő munkadarabot mindig egy stabil alapra rögzítse.** Nagyon fontos, hogy a munkadarabot biztonságosan rögzítse, hogy csökkentsen a fűrészlap beékelődésekor felmerülő veszélyeket, mindenekelőtt annak veszélyét, hogy a munkadarab vagy a készülék nekivágódjon valamelyik testrésznek.

**A berendezést csak a szigetelt fogantyűfelületeknél fogja meg, ha olyan munkát végez, amelyek során a vágószerszám a kívülről nem látható, feszültség alatt álló vezetékhez, vagy a saját hálózati kábelét is átvághatja.** Ha a berendezés egy feszültség alatt álló vezetékhez ér, a berendezés fémrészei szintén feszültség alá kerülhetnek és áramütéshez vezethetnek.

**Hosszirányú vágásokhoz használjon mindig egy ütközőt vagy egy egyenes vezetőlelet.** Ez megnöveli a vágás pontosságát és csökkenti a fűrészlap beakadásának lehetőségét.

**Mindig csak a helyes méretű és a készüléknek megfelelő rögzítő (például csillagalakú vagy körkeresztmetszetű) nyílással ellátott fűrészlapokat használjon.** Azok a fűrészlapok, amelyek nem illeszkednek hozzá a fűrész rögzítő

újraindításakor kiugorhat a munkadarabból, vagy egy visszarugást is okozhat.

**Nagyobb lapok megmunkálásánál támassza ezt megfelelően alá, nehogy egy beszorult fűrészlap következtében visszarugas lépjen fel.** A nagyobb méretű lapok saját súlyuk alatt leloghatnak, illetve meggörbülhetnek. A lapokat mindkét oldalukon, mind a fűrészelési rés közelében, mind a szélükön alá kell támasztani.

**Sohase használjon életlen vagy megrongálódott fűrészlapokat.** Az életlen vagy hibásan beállított fogú fűrészlapok egy túl keskeny vágási résben megnövekedett súrlódáshoz, a fűrészlap beragadásához és visszarugásokhoz vezetnek.

**A fűrészelés előtt húzza meg szorosra a vágási mélység és vágási szög beállító elemeket.** Ha a fűrészelés során megváltoznak a beállítások, a fűrészlap beékelődhet és a fűrész visszarúghat.

**Különösen óvatosan kell dolgozni, ha egy nem átlátható területen, például egy fal egyik oldalán hajt végre "süllyesztő vágást".** Az anyagba besüllyedő fűrészlap a fűrészelés közben kívülről nem látható akadályokban megakadhat és ez egy visszarugáshoz vezethet.

**Ellenőrizze minden használat előtt, hogy az alsó védőburkolat tőkéletesen zár-e. Ne használja a fűrész, ha az alsó védőburkolat nem mozog szabadon és nem zár azonnal. Sohase akassza be vagy kösse meg nyitott helyzetben az alsó védőburkolatot.** Ha a fűrész véletlenül leesik a padlóra, az alsó védőburkolat meggörbülhet. Nyissa ki a visszahúzó karral a védőburkolatot és gondoskodjon arról, hogy az szabadon mozogjon és semmilyen vágási szög nélkül és vágási mélységnél sem érintse meg sem a fűrészlapot, sem a berendezés egyéb alkatrészeit.

**Ellenőrizze az alsó védőburkolat rugójának működését. Ha az alsó védőburkolat és annak mozgató rugója nem működik tőkéletesen, akkor végeztesse el a megfelelő karbantartási munkákat.** Megrongálódott alkatrészek, ragasztó-lerakódások, vagy forgácsok lelassítják az alsó védőburkolat működését.

**Az alsó védőburkolatot csak különleges vágási módok, mint "süllyesztő és szögvágások" esetén szabad kézzel kinyitani. Nyissa ki a visszahúzó karral az alsó védőburkolatot, és engedje azt el, míhelyt a fűrészlap behatol a munkadarabba.** Az alsó védőburkolatnak minden más fűrészelési munkánál automatikusan kell működnie.

**Sohase tegye le a fűrész a munkadarabra vagy a padlóra, ha az alsó védőburkolat nem borítja be teljesen a fűrészlapot.** Egy védtelen, utánfutó fűrészlap a vágási irányval ellenkező irányba mozog és mindenbe beleavág, ami az útjába kerül. Ügyeljen ekkor a fűrész utánfutási idejére.

Ne használjon olyan fűrészlapot, ami nem egyezik meg a használati útmutatóban feltüntetettekkel.

**Viseljen hallásvédőt.** A zajhatás a hallás elvesztését eredményezheti.

Ne használjuk csiszolókoronggal!

Szabadban a dugaljat hibaáram-védőkapcsolóval kell ellátni. Az elektromos készülékek üzembekapcsolás utáni utasítása ezt kötelezően előírja. Ügyeljen erre az elektromos kéziszerszámok használatakor is.

Munkavégzés közben ajánlatos védőszemüveget viselni. Védőkesztyű, zárt és csúszásmentes cipő, valamint védőkötény használata szintén javasolt.

Bármilyen jellegű karbantartás vagy javítás előtt a készüléket áramtalanítani kell.

A készüléket csak kikapcsolt állapotban szabad ismét áram alá helyezni.

Munka közben a hálózati csatlakozókábelt a sérülés elkerülése érdekében a munkaterületől, illetve a készüléktől távol kell tartani.

Használat előtt a készüléket, hálózati csatlakozó- és hosszabbítókábeleket, valamint a csatlakozódugót sérülés és esetleges elhasználódás szempontjából felül kell vizsgálni és szükség esetén szakemberrel meg kell javíttatni.

Ne rögzítse az on/off (be/ki) kapcsolót az "on" (be) pozícióban amikor a fűrész kézben használja.

A munka során keletkező por gyakran egészségre káros, ezért ne kerüljön a szervezetbe. Horájon e célra alkalmas porvédőmaszkot.

## RENDELTESSZERŰ HASZNÁLAT

Ezzel az elektronikus körfűrészsel vághat hosszanti irányban és ferde szögben fában, műanyagban és alumíniumban.

A készüléket kizárólag az alábbiakban leírtaknak megfelelően szabad használni.

## CE-AZONOSÁGI NYILATKOZAT

Teljes felelősségünk tudatában kijelentjük, hogy jelen termék megfelel a következő szabványoknak vagy szabványossági dokumentumoknak: EN 60745, EN 55014-1, EN 55014-2, EN 61000-3-2, EN 61000-3-3, a 98/37/EG, 2004/108/EG irányelvek határozataival egyetértésben.



Winnenden, 2009-04-14

Rainer Kumpf  
Manager Product Development

## HÁLÓZATI CSATLAKOZTATÁS

A készüléket csak egyfázisú váltóáramra és a teljesítménytáblán megadott hálózati feszültségre csatlakoztassa. A csatlakoztatás védőérintkező nélküli dugaszolóaljzatokra is lehetséges, mivel a készülék felépítése II védettségű osztályú.

## KARBANTARTÁS

A készülék szellőzőnyílásait mindig tisztán kell tartani.

Csak Milwaukee tartozékokat és Milwaukee pótalkatrészeket szabad használni. Az olyan elemeket, melyek cseréje nincs ismertetve, cseréltesse ki Milwaukee szervizzel (lásd Garancia/Ügyfélszolgálat címe kiadványt).

Szükség esetén a készülékek robbantott ábráját - a készülék típusa és tízjegyű azonosító száma alapján a területhez illetékes Milwaukee márkaszerviztől vagy közvetlenül a gyártótól (Milwaukee Electric Tool, Max-Eyth-Straße 10, D-71364 Winnenden, Germany) lehet kérni.

## SZIMBOLUMOK



Kérjük alaposan olvassa el a tájékoztatót mielőtt a gépet használja.



Karbantartás, javítás, tisztítás, stb. előtt el kell távolítani az áramtalanítást.



Azokat a tartozékokat, amelyek gyárilag nincsenek a készülékhez mellékelve, külön lehet megrendelni.



Az elektromos kéziszerszámokat ne dobja a háztartási szemétkébe! A használt villamos és elektronikai készülékekről szóló 2002/96/EK irányelv és annak a nemzeti jogba való átültetése szerint az elhasznált elektromos kéziszerszámokat külön kell gyűjteni, és környezetbarát módon újra kell hasznosítani.



## TEHNIČNI PODATKI

Nazivna sprejemna moč .....	1050 W
Število vrtljajev v prostem teku .....	5100 min <sup>-1</sup>
List žage ø x vrtalni ø .....	165 x 30 mm
Globina reza maks pri 90° .....	56 mm
Globina reza maks pri 45° .....	37 mm
Teža brez omrežnega kabla .....	3,7 kg

### Informacije o hrupnosti/vibracijah

Vrednosti merjenja ugotovljene ustrezno z EN 60 745.  
Raven hrupnosti naprave ovrednotena z A, znaša tipično:

Nivo zvočnega tlaka (K = 3 dB(A)) .....	95 dB(A)
Višina zvočnega tlaka (K = 3 dB(A)) .....	106 dB(A)

### Nosite zaščito za sluh!

Skupna vibracijska vrednost (Vektorska vsota treh smeri)

določena ustrezno EN 60745.

Vibracijska vrednost emisij a <sub>h</sub> .....	< 2,5 m/s <sup>2</sup>
Nevarnost K .....	1,5 m/s <sup>2</sup>

## OPOZORILO

V teh navodilih navedena raven treslajev je bila izmerjena po EN60745 normiranem merilnem postopku in lahko služi medsebojni primerjavi električnih orodij. Prav tako je primeren za predhodno oceno obremenitve s treslaji.

Navedena raven treslajev najpomembnejše vrste rabe električnega orodja. Kadar se električno orodje uporablja za drugačne namene, z odstopajočimi orodji ali pa z nezadostnim vzdrževanjem, lahko raven treslajev tudi odstopa. Le to lahko čez celoten delovni čas znatno zviša obremenitev s tresenjem.

Za natančno oceno obremenitve s treslaji naj bi se upošteval tudi čas v katerem je naprava izklopljena ali sicer teče, vendar dejansko ni v rabi. Le to lahko obremenitev s treslaji čez celoten delovni čas znatno zmanjša.

Za zaščito upravljalca pred učinkom treslajev uvedite dodatne zaščitne ukrepe npr.: Vzdrževanje električnega orodja in orodja, delo s toplimi rokami, organizacija delovnih potekov.

**⚠ OPOZORILO! Preberite vsa varnostna opozorila in navodila, tudi tista v priloženi brošuri.** Napake zaradi neupoštevanja spodaj navedenih opozoril in napotil lahko povzročijo električni udar, požar in/ali težke telesne poškodbe. **Vsa opozorila in napotila shranite, ker jih boste v prihodnje še potrebovali.**

## SPECIALNI VARNOSTNI POTAJKI

**⚠ NEVARNO: Ne segajte z rokami v območje žaganja in v bližino žaginega lista. Z drugo roko držite dodatni ročaj ali ohišje motorja.** Če boste krožno žago držali z obema rokama, žagin list ne bo mogel poškodovati Vaših rok.

**Ne segajte pod obdelovanec.** Zaščitni okrov vas v tem primeru ne bo mogel zavarovati pred vrtečim se žaganim listom.

**Prosimo, da globino reza prilagodite debelini obdelovanca.** Znaša naj manj kot višina zoba, ki je vidna pod obdelovancem.

**Obdelovanca nikoli ne držite v roki ali čez nogo, ampak ga na stabilni podlagi zavarujte proti premikanju.** Dobra pritrditev obdelovanca je zelo pomembna, saj je tako nevarnost, da bi prišlo do telesnega stika, zatikanja žaginega lista ali izgube nadzora, minimalna.

**Med izvajanjem del, pri katerih bi lahko rezilo zadelo ob skrite električne vodnike ali lastni električni kabel, držite napravo samo za izolirane ročaje.** Stik z električnim vodnikom, ki je pod napetostjo, povzroči napetost tudi v kovinskih delih naprave, kar ima za posledico električni udar.

**Pri vzdolžnih rezih vedno uporabljajte prislon ali ravno robno vodilo.** To bo zagotovilo večjo točnost reza in zmanjšalo nevarnost zatikanja žaginega lista.

**Vedno uporabljajte žagane liste pravilne velikosti, ki se prilegajo obliki prijemalne prirobnice (rombasta ali okrogla).** Žagini listi, ki se ne ujemajo z montažnimi deli žage, se vrtijo neenakomerno in povzročijo izgubo nadzora nad napravo.

**Nikoli ne uporabljajte poškodovanih oziroma napačnih podložk ali vijakov žaginega lista.** Podložke in vijaki žaginega lista so bili konstruirani posebej za Vašo žago, z namenom doseganja njene optimalne zmogljivost in varnega delovanja.

Vzroki in preprečevanje povratnega udarca:

- povratni udarec je nepričakovana reakcija zagozdenega, zataknenega ali napačno poravnane žaginega lista, zaradi česar se lahko žaga, ki ni več pod nadzorom, premakne iz obdelovanca proti osebi, ki upravlja z žago;

- žagin list se lahko zatakne ali zagozdi v rezu, kar povzroči njegovo blokiranje, moč motorja pa potisne napravo nazaj, proti osebi, ki z njo upravlja;

- če žagin list, ki se nahaja v rezu, zasukate ali če žagin list ni bil pravilno naravnani, se lahko zobje zadnjega roba žaginega lista zataknejo, žagin list skoči iz zareze in odleti vzvratno proti osebi, ki upravlja z žago.

Povratni udarec je posledica napačne uporabe žage. Preprečite ga lahko s primernimi previdnostnimi ukrepi, ki so opisani v nadaljevanju besedila.

**Z obema rokama trdno držite žago. Roke premaknite v položaj, v katerem boste lahko kljubovali povratnim udarcem. Vedno stojite ob strani žaginega lista in se nikoli ne premaknite v položaj, v katerem bi bila Vaše telo in žagin list v isti črti.** Pri povratnem udarcu lahko krožna žaga skoči nazaj, vendar pa lahko upravljalca povratne udarce obvlada, če je prej primerno ukrepal.

**Če žagin list obtiči ali se žaganje prekine iz drugega razloga, spustite vklopno-izklopno stikalo in mirno držite žago v obdelovancu, dokler se žagin list popolnoma ne ustavi. Nikoli ne poskušajte žage odstraniti iz obdelovanca ali jo potegniti nazaj, dokler se žagin list premika ali dokler bi lahko prišlo do povratnega udarca.** Poiščite vzrok za zatikanje žaginega lista in ga na ustrezen način odstranite.

**Če želite žago, ki je obtičala v obdelovancu, ponovno zagnati, centrirajte žagin list v rezu in preverite, če niso zobje zatakneni v obdelovancu.** Zataknen žagin list se lahko izmakne iz obdelovanca in povzroči povratni udarec v trenutku, ko žago ponovno zaženete.

**Večje plošče ustrezno podprite in tako zmanjšajte tveganje za nastanek povratnega udarca zaradi zataknenega žaginega lista.** Velike plošče se zaradi lastne teže lahko upognejo, zato jih morate podpreti na obeh straneh, torej blizu reza in na robu.

**Ne uporabljajte topih ali poškodovanih žaganih listov.** Žagini listi s toplimi ali napačno poravnanimi zobmi zaradi preozkega reza povzročajo večje trenje, zatikanje žaginega lista in povratni udarec.

**Pred žaganjem trdno privijte nastavitve za globino reza in rezalni kot.** Če se nastavitve med rezanjem spremenijo, se lahko žagin list zatakne in povzroči povratni udarec.

**Še posebno previdni bodite pri »potopnem žaganju« v skrito področje, na primer v obstoječo steno.** Žagin list lahko pri potopnem žaganju skritih predmetov blokira in povzroči povratni udarec.

**Pred vsako uporabo naprave preverite brezhibno zapiranje spodnjega zaščitnega okrova. Ne uporabljajte žage, če spodnji zaščitni okrov ni prosto gibljiv in se takoj ne zapre. Spodnjega zaščitnega okrova nikoli ne zatikajte ali fiksirajte v odprtem položaju. Če pade žaga nenamerno na tla, se**

**lahko spodnji zaščitni okrov zvije.** Odprite ga z ročico za odmik in se prepričajte ali je prosto gibljiv. Zaščitni okrov se pri vseh rezalnih kotih in vseh globinah reza ne sme dotikati niti žaginega lista niti drugih delov žage.

**Preglejte delovanje vzmeti za spodnji zaščitni okrov. Če spodnji zaščitni okrov in vzmeti ne delujejo brezhibno, oddajte napravo v popravilo.** Poškodovani deli, lepljive obloge ali nabiranje ostružkov so vzrok za upočasnjeno delovanje spodnjega zaščitnega okrova.

**Ročno odpiranje spodnjega zaščitnega okrova je dovoljeno samo pri posebnih rezih, kakršna sta »potopno žaganje in žaganje pod kotom«.** Z ročico za odmik odprite spodnji zaščitni okrov in jo spustite takoj, ko žagin list prodre v obdelovanec. Pri vseh drugih rezih mora spodnji zaščitni okrov delovati samodejno.

**Ne odlagajte žage na delovno mizo ali na tla, če spodnji zaščitni okrov ne pokriva žaginega lista.** Nezavaran, vrteč se žagin list premakne žago v protismeri reza in žaga vse, kar mu je na poti. Upoštevajte čas izteka žage.

Listi za žago, ki ne odgovarjajo podatkom o značilnosti v tem navodilu za uporabo, se ne smejo uporabiti.

**Nosite zaščito za sluh.** Razvijanje hrupa lahko povzroči izgubo sluha.

Ne uporabljati brusne plošče

Vtičnice v zunanjem področju morajo biti opremljene z zaščitnimi stikali za okvarni tok. To zahteva instalacijski predpis za vašo električno napravo. Prosimo, da to pri uporabi naše naprave upoštevate.

Pri delu s strojem vedno nosite zaščitna očala. Priporočamo zaščitne rokavice, trdno obualo, varno proti drsenju ter predpasnik.

Pred vsemi deli na stroju izvlecite vtičač iz vtičnice.

Stroj priklopite na vtičnico samo v izklopljenem stanju.

Vedno pazite, da se priključni kabel ne približa področju delovanja stroja. Kabel vedno vodite za strojem.

Pred vsako uporabo kontrolirajte napravo, priključni kabel, kabel za podaljšek in vtičač glede poškodb in obrabe. Poskrbite, da poškodovane dele popravi izključno strokovnjak.

Stikala za vklop/izklop pri ročno vodenem obratovanju ne fiksirajte.

Prah, ki nastaja pri delu, je pogosto zdravju škodljiv in naj ne zaide v telo. Nosite ustrezno masko proti prahu.

## UPORABA V SKLADU Z NAMEDNOSTJO

Ročna krožna žaga je primerna za ravne reze v lesu, umetni masi in aluminiju.

Ta naprava se sme uporabiti samo v skladu z namembnostjo uporabiti samo za navede namene.

## CE-IZJAVA O KONFORMNOSTI

Z lastno odgovornostjo izjavljamo, da je ta produkt skladen z naslednjimi normami ali normativnimi dokumenti. EN 60745, EN 55014-1, EN 55014-2, EN 61000-3-2, EN 61000-3-3, EN 61000-3-3, v skladu z določili smernic 98/37/EG, 2004/108/EG.



Winnenden, 2009-04-14

Rainer Kumpf  
Manager Product Development

## OMREŽNI PRIKLJUČEK

Priključite samo na enofazni izmenični tok in samo na omrežno napetost, ki je označena na tipski ploščici. Priključitev je možna tudi na vtičnice brez zaščitnega kontakta, ker obstaja nadgradnja zaščitnega razreda.

## VZDRŽEVANJE

Pazite na to, da so prezačevalne reže stroja vedno čiste.

Uporabljajte samo Milwaukee pribor in Milwaukee nadomestne dele. Poskrbite, da sestavne dele, katerih zamenjava ni opisana, zamenjajo v Milwaukee servisni službi (upoštevajte brošuro Garancija/Naslovi servisnih služb).

Po potrebi se lahko pri vaši servisni službi ali direktno pri Milwaukee Electric Tool naroči eksplozijska risba naprave ob navedbi tipa stroja in desetmestne številke s tipske ploščice Milwaukee Electric Tool, Max-Eyth-Straße 10, D-71364 Winnenden, Germany.

## SIMBOLI



Prosimo, da pred uporabo pozorno preberete to navodilo za uporabo.



Pred vsemi deli na stroju izvlecite vtičač iz vtičnice.



Oprema – ni vsebovana v obsegu dobave, priporočeno dopolnilo iz programa opreme.



Električnega orodja ne odstranjujte s hišnimi odpadki! V skladu z Evropsko direktivo 2002/96/EG o odpadni elektrici in elektronski opremi in z njenim izvajanjem v nacionalni zakonodaji je treba elektricna orodja ob koncu njihove življenjske dobe loceno zbirati in jih predati v postopek okolju prijaznega recikliranja.

## TEHNIČKI PODACI

Snaga nominalnog prijema.....	1050 W
Broj okretaja praznog hoda .....	5100 min <sup>-1</sup>
List pile-ø x Bušenje-ø .....	165 x 30 mm
Dubina rezanja max. kod 90° .....	56 mm
Dubina rezanja max. kod 45° .....	37 mm
Težina bez mrežnog kabela.....	3,7 kg

### Informacije o buci/vibracijama

Mjerne vrijednosti utvrđene odgovarajuće EN 60 745.

A-ocijenjeni nivo buke aparata iznosi tipično:

nivo pritiska zvuka (K=3dB(A)).....	95 dB(A)
nivo učinka zvuka (K=3dB(A)).....	106 dB(A)

### Nositi zaštitu sluha!

Ukupne vrijednosti vibracije (Vektor suma tri smjera) su

odmjerene odgovarajuće EN 60745

Vrijednost emisije vibracije a <sub>h</sub> .....	< 2,5 m/s <sup>2</sup>
Nesigurnost K.....	1,5 m/s <sup>2</sup>

## UPOZORENJE

Ova u ovim uputama navedena razina titranja je bila izmjerena odgovarajuće jednom u EN 60745 normiranom mjernom postupku i može se upotrijebiti za usporedbu električnog alata međusobno. Ona je prikladna i za privremenu procjenu titrajnog opterećenja.

Navedena razina titranja reprezentira glavne primjene električnog alata. Ukoliko se električni alat upotrebljava u druge svrhe sa odstupajućim primijenjenim alatima ili nedovoljnim održavanjem, onda razina titranja može odstupati. To može titrajno opterećenje kroz cijeli period rada bitno povisiti.

Za točnu procjenu titrajnog opterećenja se moraju uzeti u obzir i vremena u kojima je uređaj isključen ili u kojima doduše radi, ali nije i stvarno u upotrebi. To može titrajno opterećenje bitno smanjiti za vrijeme cijelog radnog perioda.

Utvrđite dodatne sigurnosne mjere za zaštitu poslužioca protiv djelovanja titranja kao npr.: Održavanje električnih alata i upotrebljenih alata, održavanje topline ruku, organizacija i radne postupke.

**⚠ UPOZORENJE! Pročitajte sigurnosne upute i uputnice, isto i one iz priložene brošure.** Ako se ne bi pošivale napomene o sigurnosti i upute to bi moglo uzrokovati strujni udar, požar i/ili teške ozljede.  
**Sačuvajte sve napomene o sigurnosti i upute za buduću primjenu.**

## SPECIJALNE SIGURNOSNE UPUTE

**⚠ OPASNOST: Rukama ne zalazite u područje rezanja i do lista pile. Držite s obje ruke dodatnu ručku ili kucište motora.** Ako se obim rukama drži kružna pila, list pile ih ne može ozlijediti.

**Ne stavljajte prste ispod izratka.** Ispod izratka štitnik ih ne može zaštititi od lista pile.

**Prilagodite dubinu rezanja debljini izratka.** Ispod izratka treba biti vidljiv manje od jedan puni zub.

**Piljeni izradak nikada ne držite u rukama ili preko nogu. Izradak osigurajte na stabilnoj podlozi.** Važno je da izradak bude dobro pričvršćen, kako bi se na minimum smanjile opasnosti od dodira s tijelom, uklještenje lista pile ili gubitak kontrole nad njim.

**Uređaj držite samo na izoliranim ručkama, ako izvodite radove kod kojih bi rezni alat mogao zahvatiti skrivene električne vodove ili vlastiti priključni kabel.** Kontaktom s vodovima pod naponom, pod napon će se staviti i metalni dijelovi uređaja, što može dovesti do električnog udara.

**Kod uzdužnog rezanja koristite uvijek graničnik ili ravnu vodilicu ruba.** Time se poboljšava točnost rezanja i smanjuje mogućnost uklještenja lista pile.

**Koristite uvijek listove pile odgovarajuće veličine i odgovarajućeg steznog otvora (npr. zvjezdastog ili okruglog).** Listovi pile koji ne odgovaraju montažnim dijelovima pile, okretat će se neokruglo i mogu dovesti do gubitka kontrole nad pilom.

**Ne koristite nikada oštećene ili pogrešne podložne pločice lista pile ili vijke.** Podložne pločice lista pile i vijci specijalno su konstruirani za vašu pilu, za postizanje optimalnog učinka i radne sigurnosti.

Uzroci i izbjegavanje povratnog udara:

- povratni udar je neočekivana reakcija lista pile koji se uklješćio, zaglavio ili je loše uravnotežen, što može dovesti do toga da se list pile može nekontrolirano izvući iz izratka i pomaknuti u smjeru osobe koja radi s uređajem;

- ako bi se list pile uklješćio, zaglavio ili blokirao u rasporu piljenja koji se zatvara i ako bi sila motora povratno udarila u uređaj, u smjeru osobe koja s njim radi;

- ako bi se list pile u rezu iskrenuo ili pogrešno izravnao, mogli bi zubi stražnjeg ruba lista pile zahvatiti površinu izratka, zbog čega bi list pile iskočio iz raspora pile i odskočio natrag u smjeru osobe koja radi s pilom.

Povratni udar je posljedica pogrešne ili neispravne uporabe pile. On se može spriječiti prikladnim mjerama opreza, koje su opisane u daljnjem tekstu.

**Držite pilu čvrsto s obje ruke i postavite vaše ruke u položaj u kojem se mogu podnijeti sile povratnog udara. Postavite se uvijek bočno uz list pile, a nikada tako da list pile bude u liniji s vašim tijelom.** Kod povratnog udara kružna pila bi mogla odskočiti natrag, a osoba koja radi s kružnom pilom ne bi mogla savladati sile povratnog udara ako se ne bi poduzele prikladne mjere.

**Ukoliko bi se list pile zaglavio ili bi se piljenje prekinulo iz nekog drugog razloga, otpustite prekidač za uključivanje za uključivanje-isključivanje i držite pilu mirno u materijalu sve dok se list pile potpuno ne zaustavi. Ne pokušavajte pilu vaditi iz izratka ili je potezati u natrag, sve dok se list pile pomiče ili bi se mogao dogoditi povratni udar.** Pronađite uzrok uklještenja pile i otklonite ga prikladnim mjerama.

**Ako pilu koja se je zaglavila u izratku želite ponovno pokrenuti, centrirajte list pile u rasporu piljenja i provjerite da zubi pile nisu zahvatili izradak.** Ako bi se uklješćio list pile, on se može pomaknuti iz izratka ili pokušati povratni udar ako će se pila ponovno pokrenuti.

**Velike ploče poduprite, kako bi se izbjegla opasnost od povratnog udara zbog uklještenja lista pile.** Velike ploče se mogu saviti pod djelovanjem vlastite težine. Ploče se moraju osloniti na obje strane, kako blizu raspora piljenja, tako i na rubu.

**Ne koristite tupe ili oštećene listove pile.** Listovi pile s tupim ili pogrešno izravnanim zubima, uzrokuju zbog uskog raspora piljenja povećano trenje, uklješćenje lista pile i povratni udar.

**Prije piljenja ustanovite dubine rezanja i namještanja kuta rezanja.** Ako bi se tijekom piljenja promijenila podešavanja, list pile bi se mogao uklješćiti ili dovesti do povratnog udara.

**Budite posebno oprezni ako izvodite "prerezivanje" u skrivenom području, npr. u postojećem zidu.** Zarezani list pile bi se kod piljenja u skrivenim objektima mogao blokirati i uzrokovati povratni udar.

**Prije svake uporabe provjerite da li donji štitnik besprijekorno zatvara. Ne koristite pilu ako donji štitnik nije slobodno pomičan i ako se odmah ne zatvara. Nikada ne uklješćite niti učvrstite donji štitnik u otvorenom položaju.** Ako bi pila nehотиčno pala na pod, donji štitnik bi se mogao savinuti. Otvorite štitnik poteznom polugom i provjerite da je

slobodno pomičan i da kod svih kutova i dubina rezanja ne dodiruje list pile niti ostale dijelove.

**Provjerite djelovanje opruge za donji štitnik. Uređaj popravite prije uporabe ako donji štitnik i opruga ne djeluju besprijekorno.** Oštećeni dijelovi, ljepljive naslage ili nakupine strugotine mogli bi dovesti do usporenog kretanja donjeg štitnika.

**Donji štitnik otvarajte rukom samo kod posebnih rezova, kao npr. "rezanje prerezivanjem i kutni rezovi". Donji štitnik otvorite polugom za potezanje natrag i oslobodite je čim list pile prođe u izradak.** Kod svih drugih radova piljenja donji štitnik mora automatski raditi.

**Pilu ne odlažite na radni stol ili pod, ako donji štitnik ne pokriva list pile.** Nezaštićeni list pile koji se zaustavlja pod inercijom, mogao bi pilu pomaknuti suprotno smjeru rezanja i zarezati sve što mu se nađe na putu. Kod toga treba paziti na vrijeme zaustavljanja lista pile pod djelovanjem inercije.

Listovi pile, koji ne odgovaraju karakterističnim podacima u ovoj uputi o upotrebi, se ne smiju upotrebljavati.

**Nosite zaštitu za sluh.** Djelovanje buke može dovesti do gubitka sluha.

Ne upotrebljavati brusne ploče!

Utičnice na vanjskom području moraju biti opremljene zaštitnim prekidačima za pogrešnu struju. To zahtijeva instalacijski propis za električne uređaje. Molimo da ovo poštujuete prilikom upotrebe našeg aparata.

Kod radova sa strojem uvijek nositi zaštitne naočale. Zaštitne rukavice, čvrste i protiv klizanja sigurne cipele kao i pregača se preporučuju.

Prije radova na stroju izvući utikač iz utičnice.

Samo isključeni stroj priključiti na utičnicu.

Priključni kabel uvijek držati udaljenim sa područja djelovanja. Kabel uvijek voditi od stroja prema nazad.

Prije svake upotrebe uređaj, priključni kabel, produžni kabel i utikač provjeriti u svezi oštećenja i starenja. Oštećene dijelove dati popraviti od strane stručnjaka.

Prekidač za uključivanje i isključivanje ne priklješćiti u ručnom pogonu.

Prašina koja nastaje prilikom rada je često nezdrava i ne bi smijela dospjeti u tijelo. Nositi prikladnu zaštitnu masku protiv prašine.

## PROPISNA UPOTREBA

Ručna kružna pila je upotrebljiva za piljenje ravnolinijskih rezova u drvo, umjetni materijal i aluminij.

Ovaj aparat se smije upotrijebiti samo u određene svrhe kao što je navedeno.

## CE-IZJAVA KONFORMNOSTI

Izjavljujemo na osobnu odgovornost, da se ovaj proizvod slaže sa sljedećim normama ili normativnim dokumentima. EN 60745, EN 55014-1, EN 55014-2, EN 61000-3-2, EN 61000-3-3, po odredbama smjernica 98/37/EG, 2004/108/EG.



Winnenden, 2009-04-14

  
Rainer Kumpf  
Manager Product Development

## PRIKLJUČAK NA MREŽU

Priključiti samo na jednofaznu naizmjeničnu struju i samo na napon struje, naveden na pločici snage. Priključak je moguć i na utičnice bez zaštitnog kontakta, jer postoji dogradnja zaštitne klase II.

## ODRŽAVANJE

Prereze za prozračivanje stroja uvijek držati čistima.

Primijeniti samo Milwaukee opremu i Milwaukee rezervne dijelove. Sastavne dijelove, čija zamjena nije opisana, dati zamijeniti kod jedne od Milwaukee servisnih službi (poštivati brošuru Garancija/Adrese servisa).

Po potrebi se može zatražiti crtež eksplozije aparata uz davanje podataka o tipu stroja i desetoznamenkastog broja na pločici snage kod Vaše servisne službe ili direktno kod Milwaukee Electric Tool, Max-Eyth-Straße 10, D-71364 Winnenden, Germany.

## SIMBOLI



Molimo da pažljivo pročitate uputu o upotrebi prije puštanja u rad.



Prije svih radova na stroju utikač izvući iz utičnice.



Oprema - u opsegu isporuke nije sadržana, preporučena dopuna iz promgrama opreme.



Električne alate ne odlažite u kućne otpatke! Prema Europskoj direktivi 2002/96/EG o starim električnim i elektroničkim strojevima i preuzimanju u nacionalno pravo moraju se istrošeni električni alati sakupljati odvojeno i odvesti u pogon za reciklažu.



## TEHNISKIE DATI

Nominālā atdotā jauda.....	1050 W
Apgrīzieni tukšgaitā.....	5100 min <sup>-1</sup>
Zāģa ripas ārējais diam. x iekšējais diam.....	165 x 30 mm
maks. griezumā dziļums 90° leņķī.....	56 mm
maks. griezumā dziļums 45° leņķī.....	37 mm
Svars bez tīkla kabeļa.....	3,7 kg

### Trokšņu un vibrāciju informācija

Vērtības, kas noteiktas saskaņā ar EN 60 745.

A novērtētās aparātūras skaņas līmenis ir:

trokšņa spiediena līmenis (K=3 dB(A)).....	95 dB(A)
trokšņa jaudas līmenis (K=3 dB(A)).....	106 dB(A)

### Nēsāt trokšņa slāpētāju!

Svārstību kopējā vērtība (Trīs virzienu vektoru summa) tiek

noteikta atbilstoši EN 60745.

svārstību emisijas vērtība a.....	< 2,5 m/s <sup>2</sup>
Nedrošība K.....	1,5 m/s <sup>2</sup>

## UZMANĪBU

Instrukcijā norādītā svārstību robežvērtība ir izmērīta mērījumu procesā, kas veiktis atbilstoši standartam EN 60745, un to var izmantot elektroinstrumentu savstarpējai salīdzināšanai. Tā ir piemērota arī svārstību noslogojuma pagaidu izvērtēšanai.

Norādītā svārstību robežvērtība ir reprezentatīva elektroinstrumenta pamata pielietojuma jomām. Tomēr, ja elektroinstrumenti tiek pielietoti citās jomās, papildus izmantojot neatbilstošus elektroinstrumentus vai pēc nepietiekamas tehniskās apkopes, tad svārstību robežvērtība var atšķirties. Tas var ievērojami palielināt svārstību noslogojumu visa darba laikā.

Precīzai svārstību noslogojuma noteikšanai, ir jāņem vērā arī laiks, kad ierīces ir izslēgta vai arī ir ieslēgta, tomēr faktiski netiek lietota. Tas var ievērojami samazināt svārstību noslogojumu visa darba laikā.

Integrējiet papildus drošības pasākumus pret svārstību ietekmi lietotājam, piemēram: elektroinstrumentu un darba instrumentu tehniskā apkope, roku siltuma uzturēšana, darba procesu organizācija.

**UZMANĪBU!** Izlasiet visu drošības instrukciju un lietošanas pamācību kāt pievienotajā bukletā. Šeit sniegto drošības noteikumu un norādījumu neievērošana var izraisīt aizdegšanos un būt par cēloni elektriskajam triecienam vai nopietnam savainojumam.  
**Pēc izlasīšanas uzglabājiet šos noteikumus turpmākai izmantošanai.**

## SPECIĀLIE DROŠĪBAS NOTEIKUMI

**BĪSTAMI!** Neturiet rokas zāia asmens tuvumā vai uz tā. Ar otru roku turiet instrumentu aiz papildroktura vai elektrodzināja korpusa. Turiet ripzāli ar abām rokām, rotčojotais asmens tās nevar savainot.

Neturiet rokas zem zāicjamā priekšmeta. Asmens aizsargs nevar pasargāt jūsu rokas no savainojumiem, ja tās atrodas zem zāicjamā priekšmeta.

Izvēlieties zāiņošanas dziļumu, kas atbilst zāicjamā priekšmeta biežumam. Zāiņošanas dziļumam jābūt tik lielam, lai zem zāicjamā priekšmeta redzamās asmens daļas augstums būtu mazāks par asmens zobu augstumu.

Nekad neturiet zāicjamo priekšmetu, stingri spaspējot rokā vai atbalstot ar kāju. Novietojiet zāicjamo priekšmetu uz stabila pamata. Ir svarīgi, lai zāicjamais priekšmets būtu labi nostiprināts, jo tas palīdz izvairīties no iermeoā saskaršanās ar zāia asmeni, zāia asmens iestrčģoānas zāicjumā, kā arī no kontroles zaudēoānas pā zāiņoānas procesu.

Turiet instrumentu tikai ar izolētajām noturvirsmām, ja darbs veicams apstākļos, kad asmens var skart slēptu elektropārvades līniju vai paā instrumenta elektrokabeļi. Asmenim saskaroties ar vadiem, kuriem tiek pievadīts fāzes spriegums, šis spriegums nonāk arī uz instrumenta korpusa strāvu vadōoājām daļām un var izraisīt elektrisko triecienu.

Veicot zāiņoānu gareniskā virzienā, vienmē z izmantojiet paralēlo vadotni vai vadiet instrumentu gar taisnu malu. Ģādā uzlabojas zāicjuma precizitāte un samazinās asmens iestrčģoānas iespēja zāicjumā.

Vienmē z lietojiet pareiza izmēra zāia asmeni, ar piemērotas formas centrālo atvēršumu (zvaigznes veida vai apaļu). Zāia asmeo, kas neatbilst zāia stiprināoāo elementu formai, necentrējas uz darbvirspas un var novest pie kontroles zaudēoānas pā zāiņoānas procesu.

Nelietojiet bojātas vai neatbilstoāas konstrukcijas asmens piespiedējaplāksnes vai stiprināoāas skrūves. Asmens piespiedējaplāksnes un stiprināoāas skrūves ir izstrādātas īpaāi jūsu zāicjum, lai panāktu optimālu jaudas atdevi un augstu darba drošību.

Atsitiena cēloāi un tā novēroāna:

- atsitieni ir iestrčģuāo, iespiesta vai nepareizi orientēta zāia asmens pčķōoā reakcija, kuras rezultātā zāiis var tikt nekontrolējami mests augōup un pārvietoties prom no zāicjamā priekšmeta;

- ja zāia asmens pčķōoā iestrčģst vai tiek iespiests zāicjumā, dzinēja spēks izsmeina instrumentā pārvietoāanos lietotāja virzienā;

- ja zāia asmens zāicjumā tiek pagriezts vai nepareizi orientēts, zāia asmens aizmugurējā malā izvietotie zobi var aizērties aiz zāicjamā priekšmeta virsmas, kā rezultātā asmens var tikt izsviests no zāicjuma, liekot zāiim pārvietoties lietotāja virzienā.

Atsitieni ir zāia ķūdoāinas vai nepareizas lietoānas sekas. No tā var izvairīties, veicot zināmus piesardzības pasākumus, kas aprakstīti turpmākajā izklāstā.

Stingri turiet zāii ar abām rokām, novietojot rokas tādā stāvoklī, lai varētu pretoties reaktīvajam spēkam, kas rodas atsitiena brīdī. Vienmē z stāviet sāoos no zāia asmens, nepieļaujot, lai asmens plakne atstāros uz vienas taisnes ar kādu no iermeoā daļām. Atsitiena brīdī zāiis var pārvietoties atpakaļvirzienā, tomē z lietotājs spē z veiksmīgi tikt galā ar reaktīvo spēku, veicot zināmus piesardzības pasākumus.

Ja zāia asmens tiek iespiests zāicjumā vai zāiņoāna tiek pārtraukta kāda cita iemesla dē, atļaidiet instrumenta ieslēdzēju un mierīgi turiet zāii, līdz tas pilnīgi apstājas. Nekad nemēģiniet izōemt zāia asmeni no zāicjuma vai viltk instrumentu atpakaļvirzienā laikā, kamē z asmens atrodas kustībā, jo tas var izsaukt atsitieni. Atrodiet asmens iespieoānas cēloni, un to novērsiet, veicot atbilstoāus pasākumus.

Ja vclatīies iedarbināt zāii, kura asmens atrodas zāicjumā, iecentrējiet asmeni attiecībā pret zāicjumu un pārliecinieties, ka tā zobi nav ieēruōies zāicjamajā priekšmetā. Ja zāia asmens ir iespiests vai iērcies, izvelciet to no zāicjuma, pretējā gadījumā zāia iedarbināoānas brīdī var notikt atsitieni.

Ja tiek zāiētas liela izmēra plāksnes, atbalstiet tās, oādi samazinot atsitiena risku, asmenim tiekot iespiestam zāicjumā. Liela izmēra plāksnes zāiņoānas laikā var izliekties sava svara iespaidā. Tāpē z plāksnēm jābūt atbalstītām abās pusēs zāicjumam, kā arī malas tuvumā.

Neizmantojiet neasus vai bojātus zāia asmeoūs. Zāia asmeoā ar neasiem vai nepareizi izliektiem zobiem veido oāuru zāicjumu, kas rada pastiprinātu berzi, var izsaukt zāia asmens iespieoānu zāicjumā un izraisīt atsitieni.

Pirms zāiņoānas stingri pieskrūvējiet stiprināoāas skrūves, ar kurām tiek fiksēts zāiņoānas dziļums un leōiis. Ja zāiņoānas

laikā patvaīgi izmainās zāia iestādījumi, tas var izsaukt asmens iespieoānu zāicjumā un izraisīt atsitieni.

Ievērojiet īpašu piesardzību, veicot zāiņoānu ar asmens "iegremdēoānu" skatienam slēptās vietās, piemēram, sienu tuvumā. Iegremdētais asmens zāiņoānas laikā var iestrēgt slēptajā objektā, izraisot atsitieni.

Ik reizi pirms zāia lietoānas pārbaudiet, vai apakōējais asmens aizsargs netraucēti atzveras. Nelietojiet zāii, ja apakōjā aizsarga pārvietoānās ir traucēta un tas neaizveras pilnīgi un uzreiz. Nekādā gadījumā nemēģiniet piesiet vai citādi nostiprināt aizsargu atvērta stāvoklī. Ja zāiis nejaudi nokrīt uz grīdas, apakōējais aizsargs var saliekties. Ar sviras palīdzību atveriet aizsargu un pārliecinieties, ka tas brīvi pārvietojas, neskarot zāia asmeni vai citas daļas pie jebkura zāiņoānas leōia un dziļuma.

Pārbaudiet, vai funkcionē apakōjā aizsarga atspere. Ja apakōējais aizsargs un/vai tā atspere funkcionē ar traucējumiem, pirms instrumenta lietoānas veiciet tā tehnisko apkalpoānu. Aizsarga pārvietoānos var traucēt bojātas daļas, gultōos sacietējus smēriela vai skaidu uzkrāoānas.

Atveriet apakōjo aizsargu ar roku vienīgi īpašu darba operāciju laikā, piemēram, veicot zāiņoānu ar asmens "iegremdēoānu vai veidojot slīpos zāicjumus". Ģādā gadījumā ar sviras palīdzību atveriet aizsargu un tad atļaidiet sviru, līdzko zāia asmens iegrimst zāicjamajā priekšmetā. Jebkuras citas zāiņoānas operācijas laikā apakōjā aizsargam jāatveras un jāaizveras automātiski.

Novietojiet zāii uz darbgalda vai uz grīdas, ja apakōējais aizsargs nenosēdz zāia asmeni. Nenosēgts asmens, kas pēc instrumenta izslēgōānas turpina griezties, pārvieto zāii pretēji zāiņoānas virzienam, pārzāicjot visu, kas gadās ceā. Izslēdzot instrumentu, oēmiet vē zāia asmens izskrējiena laiku.

Zāģu ripas, kas neatbilst šinī lietoānas pamācībā minētajiem datiem, nedrīkst izmantot.

Nēsājiet ausu aizsargus. Trokšņa iedarbības rezultātā var rasties dzirdes traucējumi.

Nedrīkst lietot slīppripas!

Kontaktilgēzām, kas atrodas ārpus telpām jābūt aprīkotām ar automātiski drošinātājslēdzīem, kas nostrādā, ja strāvas plūsmā radušies bojājumi. To pieprasa jūsu elektroiekārtas instalācijas noteikumi. Lūdzu, to ņemt vērā, izmantojot mūsu instrumentus.

Strādājot ar mašīnu, vienmē z jānēsā aizsargbrilles. Tiek ieteiktis nēsāt arī aizsargcimdus, slēgtus, neslīdošus apavus un priekšautu.

Pirms jebkādiem darbiem, kas attiecas uz mašīnas apkopi, mašīnu noteikti vajag atvienot no kontaktilgēzdas.

Mašīnu pievienot kontaktilgēzai tikai izslēgtā stāvoklī.

Pievienojuma kabeli vienmē z turēt atstatu no mašīnas darbības lauka. Kabelim vienmē z jāatrodas aiz mašīnas.

Pirms katras Instrumenta lietoānas pārbaudīt, vai nav bojāts pievienojuma kabelis, pagarinājuma kabelis un kontaktdakša. Bojātās detaļas drīkst remontēt tikai speciālisti.

Rokas darbības laikā slēdzī nedrīkst fiksēt.

Puteklī, kas rodas darba gaitā, bieži ir kaitīgi veselībai un tiem nevajadzētu nokļūt organismā. Jānēsā piemērota maska, kas pasargā no putekļiem.

## NOTEIKUMIEM ATBILSTOŠS IZMANTOJUMS

Rokas ripzāģis ir izmantojams taisnu zāģējumu veikšanai kokā, plastmasā un alumīnija.

Šo instrumentu drīkst izmantot tikai saskaņā ar minētajiem lietošanas noteikumiem.

## ATBILSTĪBA CE NORMĀM

Ar šo apliecinām, ka esam atbildīgi par to, lai šis produkts atbilstu sekojošām normām vai normatīvajiem dokumentiem: EN 60745, EN 55014-1, EN 55014-2, EN 61000-3-2, EN 61000-3-3, EN 61000-3-3, saskaņā ar direktīvu 98/37/EG, 2004/108/EG noteikumiem.



Winnenden, 2009-04-14

Rainer Kumpf  
Manager Product Development

## TĪKLA PIESLĒGUMS

Pieslēgt tikai vienpola maiņstrāvas tīklam un tikai spriegumam, kas norādīts uz jaudas paneļa. Pieslēgums iespējams arī kontaktilgēzām bez aizsargkontaktiem, jo runa ir par uzbūvi, kas atbilst II. aizsargklasei.

## APKOPE

Vajag vienmē z uzmanīt, lai būtu tīras dzesēšanas atveres.

Izmantojiet tikai firmu Milwaukee piederumus un firmas Milwaukee rezerves daļas. Lieciet nomainīt detaļas, kuru nomaiņa nav aprakstīta, kādā no firmu Milwaukee klientu apkalpošanas servisiem. (Skat. brošūru "Garantija/klientu apkalpošanas serviss".)

Ja nepieciešams, klientu apkalpošanas servisā vai tieši pie firmas Milwaukee Electric Tool, Max-Eyth-StrāBe 10, D-71364 Winnenden, Germany, var pieprasīt instrumenta eksplozijas zīmējumu, šim nolīkam jāuzrāda mašīnas tips un desmitvietīgais numurs, kas norādīts uz jaudas paneļa.

## SIMBOLI



Pirms sākt lietot instrumentu, lūdzu, izlasiet lietošanas pamācību.



Pirms veicat jebkādas darbības attiecībā uz mašīnas apkopi, atvienojiet kontaktdakšu no kontaktilgēzdas.



Piederumi - standartaprīkojām neietvertās, bet ieteicams papildus komplektācijas detaļas no piederumu programmas.



Neizmēģiet elektroiekārtas sadzīves atkritumos! Saskaņā ar Eiropas Direktīvu 2002/96/EG par lietotajam lektroiekārtam, elektronikas iekārtam un tas iekļaušanu valsts likumdoāna lietotas ekroiekārtas ir jāsavāc atsevišķi un jānogāda otrreizējai pārstrādei videi draudzīga veida.



## TECHNINIAI DUOMENYS

Vardinė imamoji galia .....	1050 W
Sūkių skaičius laisva eiga .....	5100 min <sup>-1</sup>
Pjovimo disko ø x gręžinio ø (šalims su metriniu sistema) .....	165 x 30 mm
Maks. pjūvio gylis, esant 90° .....	56 mm
Maks. pjūvio gylis, esant 45° .....	37 mm
Svoris be maitinimo laido .....	3,7 kg

### Informacija apie triukšmą/vibraciją

Vertės matuotos pagal EN 60 745.

[vertintas A įrenginio keliamo triukšmo lygis dažniausiai sudaro:

Garso slėgio lygis (K = 3 dB(A)) .....	95 dB(A)
Garso galios lygis (K = 3 dB(A)) .....	106 dB(A)

### Nešioti klausos apsaugines priemones!

Bendroji svyravimų reikšmė (trijų krypčių vektorių suma), nustatyta remiantis EN 60745.

Vibravimų emisijos reikšmė a <sub>h</sub> .....	< 2,5 m/s <sup>2</sup>
Paklaida K .....	1,5 m/s <sup>2</sup>

## DĖMESIO

Instrukcijoje nurodyta svyravimų ribinė vertė yra išmatuota remiantis standartu EN 60745; ji gali būti naudojama keliems elektriniams instrumentams palyginti. Ji taikoma ir laikinai įvertinti svyravimų apkrova.

Nurodyta svyravimų ribinė vertė yra taikoma pagrindinėse elektrinio instrumento naudojimo srityse. Svyravimų ribinė vertė gali skirtis naudojant elektrinį instrumentą kitose srityse, papildomai naudojant netinkamus elektrinius instrumentus arba juos nepakankamai techniškai prižiūrint. Dėl to viso darbo metu gali žymiai padidėti svyravimų apkrova.

Siekiant tiksliai nustatyti svyravimų apkrovą, būtina atsižvelgti ir į laikotarpį, kai įrenginys yra išjungtas arba jungtas, tačiau faktiškai nenaudojamas. Dėl to viso darbo metu gali žymiai sumažėti svyravimų apkrova.

Siekiant apsaugoti vartotojus nuo svyravimo įtakos naudojamos papildomos saugos priemonės, pavyzdžiui, elektrinių darbo instrumentų techninė priežiūra, rankų šilumos palaikymas, darbo procesų organizavimas.

**⚠ DĖMESIO! Perskaitykite visas saugumo pastabas ir nurodymus, esančius pridėtoje brošiūroje.** Jei nepaisysite žemiau pateiktų saugos nuorodų ir reikalavimų, gali trenkti elektros smūgis, kilti gaisras ir/arba galite sunkiai susižaloti arba sužaloti kitus asmenis.  
**Išsaugokite šias saugos nuorodas ir reikalavimus, kad ir ateityje galėtumėte jais pasinaudoti.**

## YPATINGOS SAUGUMO NUORODOS

**⚠ PAVOJUS: Nekiškite rankø prie pjūvio vietos ir prie pjūklø disko. Antrąją ranką laikykite priekinėje rankenø arba variklio korpusø.** Jei abiem rankom laikysite pjūklà, pjūklø diskas jø negalës supeisti.

**Nekiškite rankø po apdirbamu ruoðiniu.** Apsauginis gaubtas neapsaugos jūs nuo ruoðinio apaëioje iðlidusio pjūklø disko.

**Pjovimo gylà tinkamai nustatykite pagal ruoðinio storà.**

Ruoðinio apaëioje turi matytis ðiek tiek maþiau, nei per visà pjūklø danties aukõtà, iðlidusio disko dalis.

**Pjaunamo ruoðinio niekada nelaikykite rankose ar pasidëjæ ant kojos. Padëkite ruoðinà ant stabilaus pagrindo.** Labai svarbu ruoðinà tinkamai àtvirtinti, kad iðvengtumëte kûno kontakto su disku, neupstrigtø pjūklø diskas ar neprarastumëte kontrolës.

**Dirbdami ten, kur besisukantis pjūklas galëtø kliudyti paslëptà laidà ar savo paties maitinimo laidà, laikykite prietaisà up izoliuotø rankenø.** Dël kontakto su laidininku, kuriuo teka elektros srovë, metalinëse prietaiso dalyse atsiranda àtampa ir naudotojas gali gauti elektros smūgà.

**Atlikdami iðilginà pjūvà, visada naudokite lygiagreità atramà arba kreipianèiàjà liniuotæ.** Tuomet pjausite tiksliau ir sumaðinsite galimybæ pjūklui àstrigti.

**Naudokite tik tinkamo dydþio diskus. Pjūklø disko skylë turi bûti reikiamo dydþio ir formos (pvz., pvaigþdës formos arba apskrita).** Pjūklø diskai, kurie neatitinka pjūklø tvirtinimo detalio formos, sukasi ekscentriðkai, todël yra prarandama pjūvio kontrolë.

**Niekada nenaudokite pabeistø ar netinkamø pjūklø disko tarpinio poverplio ir varþtø.** Pjūklø disko tarpinės poverplës ir varþtai buvo sukonstruoti specialiai Jūsø pjūklui, kad bûtø garantuoti optimalūs rezultatai ir saugus darbas.

**ATATRANKOS PRIEPASTYS IR BÛDAI JOS IÐVENGTI:**

- Atatranka yra staigi pjūklø reakcija, atsirandanti tuomet, kai pjūklø diskas upkliuða, àstringa ar yra blogai nukreipiamas ruoðinyje, dël kurios prietaisas gali nekontroliuojamai iðdokti ið ruoðinio;

- jei pjūklas yra upspaudþiamas pjūvio vietoje, upkliuða arba upsiblokuoja, variklio jëga staiga sviedþia pjūklà atgal, link naudotojo;

- jei pjūklø diskas perkreipiamas ar neteisingsi nukreipiamas pjūvio plyðyje, galinës disko dalies dantys gali àsikabinti à ruoðinio pavirðio, todël pjūklø diskas "iðlipà" ið pjūvio plyðio ir pjūklas staiga atðoka link naudotojo.

Atatranka yra netinkamo prietaiso naudojimo arba klaidingo valdymo rezultatas. Atitinkamos priemonës (pr. þemiau) leidþia jos iðvengti.

**Pjūklà visada tvirtai suspauskite abiem rankom ir rankas laikykite tokioje padëtyje, kad galëtumëte àveikti atatrankos jëgas. Atsitraukite à ðalà nuo pjūklø disko, kad Jūsø kûnas jokiu bûdu nebûtø vienoje linijoje su pjūklø disku.** Dël atatrankos pjūklas gali atðokti atgal, bet naudotojas turi galimybæ suvaldyti atatrankos jëgas, jei imsis atitinkamø priemoniø.

**Jei pjūklø diskas upstringa arba jei dël kokios nors prieþasties pjovimo procesas yra nutraukiamas, iðjunkite jungiklì ir pjūklø netraukite ið ruoðinio tol, kol pjūklø diskas visiðkai nesustos. Niekada nebandykite pjūklø disko iðtraukti ið ruoðinio ar pjūklà traukti atgal, kol pjūklø diskas dar sukasi, nes tai gali sàlygoti atatrankà.** Suraskite pjūklø disko strigimo prieþastà ir imkitës priemoniø jai paðalinti.

**Jei norite vël àjungti ruoðinyje paliktà pjūklà, centruokite pjūklø diskà pjūvio plyðyje ir patikrinkite, ar pjūklø dantys nėra àsikabinæ à ruoðinà.** Jei pjūklø diskas stringa, vël àjungus pjūklà, jis gali iðdokti ið ruoðinio arba gali àvykti atatranka.

**Pjaudami dideles plokðtes, jas paremkite ið apaëios.** Taip sumaðinsite pjūklø disko strigimo ir atatrankos rizikà. Didelës plokðtës dël savo svorio iðlinksta. Plokðtes reikia atremti abiejose pusëse, t.y., ðalia pjūvio linijos ir ðalia plokðtës kraðto.

**Nenaudokite atðipusio ar pabeistø pjūklø disko.** Neaðtrûs ar blogai sureguliuoti pjūklø dantys palieka siauresnà pjovimo takà, todël atsiranda per didelë trintis, atatranka, stringa pjūklø diskas.

**Prieð pjaunant būtina tvirtai ir patikimai upverpti svirteles, kuriomis reguliuojamas pjovimo gylis ir pjūklø disko posvirio kampas.** Jei pjaunant keièiasi pjūklø disko padëtis, pjūklø diskas gali àstrigti ir atsirasti atatranka.

**Darydami àpovos sienose ar kituose nepermatomuose pavirðiuose, pvz., sienose, elkites ypæ atsargiai.** Àsigilinantis pjūklø diskas pjaunant gali upkliuti up paslëptø objektø ir sukelti atatrankà.

**Prieð kiekvienà naudojimà patikrinkite, ar apatinis apsauginis gaubtas tinkamai upsidaro. Nenaudokite pjūklø, jei apatinis apsauginis gaubtas negali laisvai judëti ir tuojuo savaime neupsidaro. Niekumet nebandykite upfksuoti**

**apatinio apsauginio gaubto atidarytoje padëtyje, kà nors ten àsprausdami ar jà priiðdami.** Jei pjūklas netyèia nukristø ant kieto pagrindo, gali sulinkti apatinis apsauginis gaubtas. Naudodami atidarymo rankenèlæ atidarykite jà ir àsitikinkite, kad jis juda laisvai ir nelieèia nei pjūklø disko, nei kurios nors kitos dalies, pakreipiant pjūklø diskà àvairiais kampais ir nustatant àvairo pjovimo gylà.

**Patikrinkite, ar tinkamai veikia apatinio apsauginio gaubto spyruoklë. Jei apatinis apsauginis gaubtas ir spyruoklë veikia netinkamai, prieð naudojimą jiems reikia atlikti techninæ profiaktikà.** Dël pabeistø daliø, lipniø nuosëðø arba susikaupusio droþlio apatinis gaubtas gali sunkiau judëti.

**Apatinà apsauginà gaubtà rankiniu bûdu atidaryti galima tik atliekant specialius pjūvius, pvz., panardinant pjūklà ruoðinio viduryje ar pjaunant pavertus pjūklø diskà kampu. Apatinà apsauginà gaubtà pakelkite rankenèle, ir, kai tik pjūklø diskas sulas à ruoðinà, paleiskite apatinà apsauginà gaubtà.** Atliekant kitus pjovimo darbus, apatinis apsauginis gaubtas turi atsidaryti ir upsidaryti savaime.

**Prieð padëdami pjūklà ant darbatalio ar ant grindø visada àsitikinkite, kad apatinis apsauginis gaubtas upðengë pjūklø diskà.** Jei apsauginis gaubtas neupsidaro, ið inercijos besisukantis pjūklø diskas stumia pjūklà atgal ir pjauna viskà, kas pasitaiko jo kelyje. Atminkite, kad, atleidus jungiklì, pjūklø diskas visiðkai sustoja tik po kurio laiko.

Draudþiama naudoti pjovimo diskus, kurie neatitinka ðioje naudojimo instrukcijoje nurodytø žyminiø duomenø.

**Neðiokite klausos apsaugos priemones.** Triukšmo poveikyje galima netekti klausos.

Nedëkite ðlifavimo diskø!

Lauke esantys el. lizdai turi bûti su gedimo srovës iðjungikliais. Tai nurodyta Jūsø elektros įrenginio instaliacijos taisyklëse. Atsižvelkite į tai, naudodami prietaisà.

Dirbdami su įrenginiu visada neðiokite apsauginius akinius. Rekomenduotina neðioti apsaugines pirštines, tvirtus batus neslidþiu padu bei prijuostæ.

Prieð atlikdami bet kokius darbus įrenginyje, iðtraukite ið lizdo kištukà.

Kištukà į lizdà įstatykite, tik kai įrenginys iðjungtas.

Maitinimo kabelis turi nebûti įrenginio poveikio srityje. Kabelį visada nuveskite ið galinës įrenginio pusës.

Kiekvienà kartà prieð naudojimą patikrinkite, ar ant prietaiso, maitinimo kabelio, prailginimo kabelio ir kištuko nematyti pažeidimø ar senëjimo požymiø. Sugedusias dalis leiskite taisyti tik specialistams.

Valdant ranka, neuþfiksuokite jungiklio/iðjungiklio.

Darbo metu susidaranti dulkës yra dažnai kenksmingos sveikatai ir todël turëtø nepatekti į organizmà. Dëvėti tinkamà apsauginæ kaukë nuo dulkiø.

## NAUDOJIMAS PAGAL PASKIRTÌ

Rankiniu diskiniu pjūklu galima tiesiai pjauti medienà, plastikà ir aliuminì.

Šį prietaisà leidþiama naudoti tik pagal nurodytà paskirtì.

## CE ATITIKTIES PAREIŠKIMAS

Mes atsakingai pareiðkiame, kad šis gaminytis atitinka tokias normas arba normatyvinius dokumentus: EN 60745, EN 55014-1, EN 55014-2, EN 61000-3-2, EN 61000-3-3, EN 61000-3-3, pagal direktyvø 98/37/EB, 2004/108/EB reikalavimus.



Winnenden, 2009-04-14

Rainer Kumpf  
Manager Product Development

## ELEKTROS TINKLO JUNGTIS

Jungti tik prie vienfazës kintamos elektros srovës ir tik į specifikacijø lentelėje nurodytos įtampos elektros tinklà. Konstrukcijos saugos klasë II, todël galima jungti ir į lizdus be apsauginio kontakto.

## TECHNINIS APTARNAVIMAS

Įrenginio vëdinimo angos visada turi bûti švarios.

Naudokite tik „Milwaukee“ priedus ir „Milwaukee“ atsargines dalis. Dalis, kuriø keitimas neaprašytas, leidþiama keisti tik „Milwaukee“ klientø aptarnavimo skyriams (žr. garantijà/klientø aptarnavimo skyriø adresus brošiūroje).

Jei reikia, nurodant įrenginio tipà bei specifikacijø lentelėje esantį deðimtþenkli numerį, ið klientø aptarnavimo skyriaus arba tiesiai ið Milwaukee Electric Tool, Max-Eyth-StraÙe 10, D-71364 Winnenden, Germany, galima užsisakyti prietaiso surinkimo brëžinius.

## SIMBOLIAI



Prieð pradëdami dirbti su prietaisu, atidþiai perskaitykite jo naudojimo instrukcijà.



Prieð atlikdami bet kokius darbus įrenginyje, iðtraukite kištukà ið lizdo.



Priedas – nejeina į tiekimo komplektacijà, rekomenduojamas papildymas ið priedø asortimento.



Neišmeskite elektros irengimu ir buitinius siukšlynus! Pagal ES Direktyva 2002/96/EG del naudoto irengimu, elektros irengimu ir ju itaikimo i valstybinius istatymus naudotos irengimus butina suringti atskirai ir nugabenti antriniu zaliavu perdirbimui aplinkai nekenksmingu budu.

## TEHNILISED ANDMED

Nimitarbimine.....	1050 W
Pöörlemiskiirus tühjooksul.....	5100 min <sup>-1</sup>
Saelehe ø x puuri ø.....	165 x 30 mm
Lõikesügavus maks 90° puhul.....	56 mm
Lõikesügavus maks 45° puhul.....	37 mm
Kaal ilma võrgujuhtmeta.....	3,7 kg

### Müra/vibratsiooni andmed

Mõõteväärtused on kindlaks tehtud vastavalt normile EN 60 745.

Seadme tüüpiline hinnanguline (A) müratase:

Helirõhutase (K=3 dB(A)).....	95 dB(A)
Helivõimsuse tase (K=3 dB(A)).....	106 dB(A)

### Kandke kaitseks kõrvaklappe!

Vibratsiooni koguväärtus (kolme suuna vektorsumma) mõõdetud

EN 60745 järgi.

Vibratsiooni emissiooni väärtus a <sub>h</sub> .....	< 2,5 m/s <sup>2</sup>
Määramatus K.....	1,5 m/s <sup>2</sup>

## TÄHELEPANU

Antud juhendis toodud võnketase on mõõdetud EN 60745 standardile vastava mõõtesüsteemiga ning seda võib kasutada erinevate elektriseadmete omavahelises võrdlemises. Antud näitaja sobib ka esmaseks võnkekoormuse hindamiseks.

Antud võnketase kehtib elektriseadme kasutamisel sihtotstarbelselt. Kui elektriseadet kasutatakse muudel otstarvetel, muude tööriistadega või seda ei hooldata piisavalt võib võnketase siintoodust erineda. Eeltoodu võib võnketaset märkimisväärselt tõsta terves töökeskkonnas.

Võnketaseme täpseks hindamiseks tuleks arvestada ka Milwaukeea, mil seade on välja lülitatud või on küll sisse lülitatud, kuid ei ole otseselt kasutusel. See võib märgatavalt vähendada kogu töökeskkonna võnketaset.

Rakendage spetsiaalseid ettevaatusabinõusid töötajate suhtes, kes puutuvad töö käigus palju kokku vibratsiooniga. Nendeks abinõudeks võivad olla, näiteks: elektri- ja tööseadmete korraline hooldus, käte soojendamine, töövoo parem organiseerimine.

**⚠ TÄHELEPANU! Lugege kõik ohutusnõuanded ja juhendid läbi, ka juures olevast brošüürist.** Ohutusnõuete ja juhiste eiramise tagajärjeks võib olla elektrilöök, tulekahju ja/või rasked vigastused.

**Hoidke kõik ohutusnõuded ja juhised edasiseks kasutamiseks hoolikalt alles.**

## SPETSIAALSSED TURVAJUHISED

**⚠ OHUD:** Hoidke käed lõikepiirkonnast ja saekettast eemal. Hoidke teise käega lisakäepidest või mootorikorpust. Kui hoiate ketassaagi mõlema käega, ei jää käed saeketta ette.

**Ärge viige kätt tooriku alla.** Tooriku all ei saa kettakaitse Teid saeketta eest kaitsta.

**Kohandage lõikesügavus tooriku paksusega.** Saeketas võib tooriku alt vähem kui ühe täishamba võrra välja ulatuda.

**Ärge kunagi hoidke saetavat toorikut käes või jalgade peal. Kinnitage toorik stabiilsele alusele.** Tooriku korralik kinnitamine on oluline, et ohustada võimalikult vähe keha ning piirata saeketta kinnikiildumise ja tööriista kontrolli alt väljumise oht miinimumini.

**Hoidke seadet ainult isoleeritud käepidemetest, kui teostate töid, mille puhul võib lõiketarvik kokku puutuda varjatud elektrijuhtmete või seadme enda toitejuhtmega.** Kokkupuude pingelise all oleva juhtmega võib seada seadme enda metallosad pingele alla ja põhjustada elektrilöögi.

**Pikisaagimisel kasutage alati paralleeljuhtikut või juhtlauda.** See suurendab lõike täpsust ja vähendab saeketta kinnikiildumise ohtu.

**Kasutage alati saekettaid, mille siseava suurus ja kuju on õiged (romb või ümar).** Saekettad, mis ei sobi sae võlliga, pöörlevad eksentriliselt ja põhjustavad tööriista väljumise kasutaja kontrolli alt.

**Ärge kunagi kasutage kahjustatud või mittesobivaid saeketta alusseibe või polte.** Saeketta alusseibid ja poldid on konstrueeritud spetsiaalselt Teie sae jaoks, tagamaks selle optimaalset jõudlust ja tööohutust.

Tagasilöögi põhjused ja vältimine:

- tagasilöök on sae ootamatu vastureaktsioon, mis tekib, kui saeketas on kinnikiildunud, kõverduvad või selle liikumine on takistatud ning mille tagajärjel tõuseb saag kontrollimatult töödeldavast detailist välja ja „hüppab“ sae kasutaja poole;

- kui sulgub lõikejalg saeketta kinni kiilub või selle liikumist takistab, Milwaukeelustub saeketta pöörlemine ja mootori vastumõju tulemusel liigub saag kiiresti kasutaja poole;

**siduda.** Kui saag kogemata maha kukub, võib alumine kettakaitse väänduda. Tõstke alumine kettakaitse tagasiõmmatavast käepidemest üles ning veenduge, et see liigub vabalt ja ei puuduta saeketast ega muid detaile mistahes lõikenurkade ja -sügavuste juures.

Kontrollige alumise kettakaitse vedru funktsioneerimist. Kui alumine kettakaitse ja vedru ei funktsioneeri korralikult, tuleb need enne kasutamist parandada lasta. Kahjustatud osade, klepuvate sadestuste või saepuru kuhjumise tõttu võib alumise kettakaitse töö Milwaukeelustuda.

**Alumist kettakaitset tuleks käsitsi tagasi tõmmata ainult erilõigete "nagu uputuslõigete ja nurklõigete tegemiseks".**

**Avage alumine kettakaitse tagasiõmmatava hoovaga ja vabastage see kohe, kui saeketas on toorikse sisse tunginud.** Kõikide teiste saagimistööde ajal peaks alumine kettakaitse toimima automaatselt.

**Enne sae asetamist tööpingile või põrandale jälgige alati, et alumine kettakaitse saeketast katab.** Kaitsmata, järelepöörlev saeketas põhjustab sae liikumise tagasi, lõigates kõike, mis teele jääb. Pöörake tähelepanu sae järelepöörlemise ajale.

Saelehti, mis ei vasta käesoleva kasutusjuhendi karakteristikele, ei tohi kasutada.

**Kandke kaitseks kõrvaklappe.** Müra mõju võib kutsuda esile kuulmise kaotuse.

Lihvimiskettaid ei tohi kasutada!

Välitingimustes asuvad pistikupesad peavad olema varustatud rikkevoolukaitselülititega. Seda nõutakse Teie elektriseadme installeerimiseeskirjas. Palun pidage sellest meie seadme kasutamisel kinni.

Masinaga töötades kandke alati kaitseprille. Soovitavad on kaitsekindad, tugevad ja libisemiskindlad jalanõud ning põll.

Enne kõiki töid masina kallal tõmmake pistik pistikupesast välja. Masin peab pistikupesast ühendamisega olema alati väljalülitatud seisundis.

Hoidke ühendusjuhe alati masina tööpiirkonnast eemal. Vedage juhe alati masinast tahapoole.

Enne iga kasutamist kontrollige seadet, ühendusjuhtmeid, pikendusjuhtmeid ja pistikuid, et poleks kahjustusi ega materjali väsimist. Kahjustatud osi laske parandada ainult spetsialistil.

Käsitsi juhtides käitamisel ärge kiiluge sisse-välja lülilit kinni.

Töö ajal tekkiv tolm on sageli tervistkahjustav ning ei tohiks sattuda organismi. Kanda sobivat kaitsemaski.

## KASUTAMINE VASTAVALT OTSTARBELE

Käsitöösaagi saab rakendada sirgjooneliste lõigete saagimiseks puitu, plasti ja alumiiniumisse.

Antud seadet tohib kasutada ainult vastavalt äranäidatud otstarbele.

## EÜ VASTAVUSAVALDUS

Me deklareerime ainuvastutajatena, et antud toode on kooskõlas järgmistega normide või normdokumentidega: EN 60745, EN 55014-1, EN 55014-2, EN 61000-3-2, EN 61000-3-3, EN 61000-3-3, vastavalt direktiivide 98/37/EÜ, 2004/108/EÜ sätetele.



Winnenden, 2009-04-14

Rainer Kumpf  
Manager Product Development

## VÖRKU ÜHENDAMINE

Ühendage ainult ühefaasilise vahelduvvooluga ning ainult andmesilidil toodud võrgupingega. Ühendada on võimalik ka kaitsekontaktita pistikupesadesse, kuna nende konstruktsioon vastab kaitseklassile II.

## HOOLDUS

Hoidke masina õhutuspilud alati puhtad.

Kasutage ainult Milwaukeee tarvikuid ja Milwaukeee tagavaraosi. Detailid, mille väljavahetamist pole kirjeldatud, laske välja vahetada Milwaukeee klienditeeninduspunktis (vaadake brošüüri garantii / klienditeeninduste aadressid).

Vajaduse korral võite tellida seadme läbilõikejoonise, näidates ära masina tüübi ja andmesilidil oleva kümnekohalise numbr. Selleks pöörduge klienditeeninduspunkti või otse: Milwaukeee Electric Tool, Max-Eyth-Straße 10, D-71364 Winnenden, Germany.

## SÜMBOLID



Palun lugege enne käikulaskmist kasutusjuhend hoolikalt läbi.



Enne kõiki töid masina kallal tõmmake pistik pistikupesast välja.



Tarvikud - ei kuulu tarne komplekti, soovitatav täiendus on saadaval tarvikute programmis.



Ärge käideldage kasutuskõlbmatuks muutunud elektrilisi tööriistu koos olmejäätmetega! Vastavalt Euroopa Parlamendi ja nõukogu direktiivile 2002/96/EÜ elektri- ja elektroonikaseadmete jäätmete kohta ning direktiivi nõuete kohaldamisele liikmesriikides tuleb asutuskõlbmatuks muutunud elektrilised tööriistad koguda eraldi ja keskkonnasäästlikult korduskasutada või ringlusesse võtta.



## ТЕХНИЧЕСКИЕ ДАННЫЕ

Номинальная выходная мощность .....	1050 W
Число оборотов без нагрузки (об/мин) .....	5100 min <sup>-1</sup>
Диаметр диска пилы х диаметр отверстия .....	165 x 30 mm
Макс. Глубина пиления при 90° .....	56 mm
Макс. Глубина пиления при 45° .....	37 mm
Вес без кабеля .....	3,7 kg

### Информация по шумам/вибрации

Значения замерялись в соответствии со стандартом EN 60 745.

Уровень шума прибора, определенный по показателю A, обычно составляет:

Уровень звукового давления (K = 3 dB(A)) .....	95 dB(A)
Уровень звуковой мощности (K = 3 dB(A)) .....	106 dB(A)

### Пользуйтесь приспособлениями для защиты слуха.

Общие значения вибрации (векторная сумма трех направлений) определены в соответствии с EN 60745.

Значение вибрационной эмиссии a <sub>h</sub> .....	< 2,5 m/s <sup>2</sup>
Небезопасность K .....	1,5 m/s <sup>2</sup>

## ВНИМАНИЕ

Указанный в настоящей руководстве уровень вибрации измерен в соответствии с технологией измерения, установленной стандартом EN 60745 и может использоваться для сравнения электроинструментов друг с другом. Он также подходит для предварительной оценки вибрационной нагрузки.

Указанный уровень вибрации представляет основные виды использования электроинструмента. Но если электроинструмент используется для других целей, используемый инструмент отклоняется от указанного или технического обслуживание было недостаточным, то уровень вибрации может отклоняться от указанного. В этом случае вибрационная нагрузка в течение всего периода работы значительно увеличивается.

Для точной оценки вибрационной нагрузки необходимо также учитывать время, в течение которого прибор отключен или включен, но фактически не используется. В этом случае вибрационная нагрузка в течение всего периода работы может существенно уменьшиться.

Установите дополнительные меры безопасности для защиты пользователя от воздействия вибрации, например: техническое обслуживание электроинструмента и используемого инструмента, поддержание рук в теплом состоянии, организация рабочих процессов.

**ВНИМАНИЕ! Ознакомьтесь со всеми указаниями по безопасности и инструкциями, в том числе с инструкциями, содержащимися в прилагающейся брошюре.** Упущения, допущенные при соблюдении указаний и инструкций по технике безопасности, могут стать причиной электрического поражения, пожара и тяжелых травм.  
**Сохраняйте эти инструкции и указания для будущего использования.**

## РЕКОМЕНДАЦИИ ПО ТЕХНИКЕ БЕЗОПАСНОСТИ

**ОПАСНОСТЬ: Держите Ваши руки в стороне от пропила и пыльного полотна. Держите Вашей второй рукой пилу за дополнительную рукоятку или корпус мотора.** Если Вы обеими руками держите дисковую пилу, то пыльное полотно не может ранить Вам руки.

**Не подхватывайте деталь.** Защитный колпак не может защитить под деталью от пыльного полотна.

**Устанавливайте глубину реза в соответствии с толщиной детали.** Под деталью пыльное полотно не должно высовываться более чем на один зуб.

**Никогда не держите распиливаемую деталь в руке или над ногой.** Деталь должна надежно лежать на прочной опоре. Важно хорошо закрепить деталь, чтобы сократить до минимума опасность контакта с телом, заклинивания пыльного полотна или потери контроля.

**Держите прибор только за изолированные ручки, если Вы выполняете работы, при которых режущий инструмент может перерезать скрытые электропровода или собственный кабель питания.** Контакт с ведущими напряжением проводами ставит металлические части прибора под напряжение и ведет к поражению электротоком.

**Используйте всегда при продольном резании упор или прямую направляющую кромку.** Это улучшает точность реза и снижает возможность заклинивания пыльного полотна.

Всегда применяйте пыльные полотна с правильными размерами и соответствующим отверстием крепления.

Причины и предотвращение обратного удара:

- обратный удар это неожиданная реакция вследствие цепляющегося, заклинивающегося или неправильно

выверенного пыльного полотна, которая ведет к выходу неконтролируемой пилы из детали в направлении оператора.

- если пыльное полотно зацепится или заклинить в замыкающемся пропилах, то сила мотора выбивает прибор назад в направлении оператора.

- если пыльное полотно будет перекошено или неправильно выверено в пропилах, то зубья задней кромки пилы могут врезаться в поверхность детали, что ведет к выходу пыльного полотна из пропила и резкому выбросу пилы в направлении оператора.

Обратный удар является следствием неправильного или ошибочного использования пилы. Он может быть предотвращен соответствующими мерами предосторожности, описанными ниже.

**Держите пилу крепко обеими руками и расположите при этом руки так, чтобы Вы могли бы противостоять силам обратного удара. Стойте всегда в стороне от оси пыльного полотна, не ведите никогда пыльное полотно по оси Вашего тела.** При обратном ударе пила может выскочить назад, однако, оператор может противостоять силам обратного удара, если были приняты соответствующие меры.

**При заклинивании пыльного полотна или, если резание будет прервано по другой причине, отпустите выключатель и держите пилу спокойно в детали до полной остановки пыльного полотна. Никогда не пытайтесь вынуть пыльное полотно из детали, вывести его назад пока оно находится во вращениях или если может возникнуть обратный удар.** Найдите причину заклинивания пыльного полотна и устранили ее соответствующими мерами.

**Если Вы хотите опять включить застрявшую в детали пилу, то сначала отцентрируйте пыльное полотно в пропилах и проверьте свободу зубьев полотна.** Заклиненное пыльное полотно может выйти из детали или вызвать обратный удар при повторном включении пилы.

**Большие плиты должны лежать на опорах для уменьшения риска обратного удара при заклинивании пыльного полотна.** Большие плиты могут прогибаться под собственным весом. Плиты должны лежать на опорах с обеих сторон, как вблизи пропила, так и с края.

**Не пользуйтесь тупыми или поврежденными пыльными полотнами.** Пильные полотна с тупыми или неправильно выверенными зубьями ведут в результате очень узкого пропила к повышенному трению, заклиниванию пыльного полотна и обратному удару.

**Перед распиливанием затяните крепко установочное устройство глубины реза и угла пропила.** Если при распиливании настройка изменится, то пыльное полотно может заклинить и возникнуть обратный удар.

**Будьте особенно осторожны при выполнении пропила «погружением» в скрытом диапазоне, например в готовой стене.** Погружающееся пыльное полотно может при пилении заблокироваться в скрытом объекте и вызвать обратный удар.

**Перед каждым включением проверяйте безупречное замыкание нижнего защитного колпака. Не пользуйтесь пилой, если движение нижнего защитного колпака ограничено и он не сразу закрывается. Никогда не заклинивайте и не завязывайте нижний защитный колпак в открытом положении.** Если пила случайно упадет на пол, то нижний защитный колпак может быть погнут. Откройте защитный колпак рычагом оттягивания и определите наличие свободы движения и отсутствие соприкосновения с пыльным полотном или другими частями при всех возможных углах пропила и глубины резания.

**Проверьте функцию пружины для нижнего защитного колпака. При неисправной функции нижнего защитного колпака и пружины сдайте электроинструмент на техническое обслуживание до начала работы.** Поврежденные части, склеивающиеся отложения или скопления стружки являются причиной замедленного срабатывания нижнего защитного колпака.

**Открывайте нижний защитный колпак вручную только при выполнении особых пропилов, например, пиление с погружением и распиловке под углом. Откройте защитный колпак оттягивающим рычагом и отпустите рычаг сразу как только пыльное полотно войдет в деталь.** При всех других работах нижний защитный колпак должен работать автоматически.

**Не кладите пилу на верстак или на пол, не закрыв предварительно пыльное полотно защитным колпаком.** Незащищенное пыльное полотно на выбеге двигает пилу против направления реза и распиливает все, что стоит на пути. Учитывайте при этом продолжительность выбега пилы. Не применяйте диски, не соответствующих параметрам, приведенным в настоящей инструкции по эксплуатации.

**Используйте наушники!** Воздействие шума может привести к потере слуха.

Не использовать шлифовальные круги!

Электроприборы, используемые во многих различных местах, в том числе на открытом воздухе, должны подключаться через устройство, предотвращающее резкое повышение напряжения.

При работе с инструментом всегда надевайте защитные очки. Рекомендуется надевать перчатки, прочные нескользящие ботинки и фартук.

Перед выполнением каких-либо работ по обслуживанию инструмента всегда вынимайте вилку из розетки.

Вставляйте вилку в розетку только при выключенном инструменте.

Держите силовой провод вне рабочей зоны инструмента. Всегда прокладывайте кабель за спиной.

Перед включением проверьте инструмент, кабель и вилку на предмет повреждений или усталости материала. Ремонт может производиться только уполномоченными Сервисными Организациями.

Не фиксируйте выключатель в положении "On" (Вкл.) когда работаете держа пилу в руках.

Пыль, возникающая при работе данным инструментом, может нанести вред здоровью. Не следует допускать её попадания в организм. Надевайте противодылевой респиратор.

## ИСПОЛЬЗОВАНИЕ

Эта электронная циркулярная пила может очень точно пилить дерево, пластик и алюминий вдоль и под углом в 45.

Не пользуйтесь данным инструментом способом, отличным от указанного для нормального применения.

## ДЕКЛАРАЦИЯ О СООТВЕТСТВИИ СТАНДАРТАМ ЕС

Мы заявляем что этот продукт соответствует следующим стандартам: EN 60745, EN 55014-1, EN 55014-2, EN 61000-3-2, EN 61000-3-3, в соответствии с правилами 98/37/EC, 2004/108/EC.



Winnenden, 2009-04-14

Rainer Kumpf  
Manager Product Development

## ПОДКЛЮЧЕНИЕ К ЭЛЕКТРОСЕТИ

Подсоединять только к однофазной сети переменного тока с напряжением, соответствующим указанному на инструменте. Электроинструмент имеет второй класс защиты, что позволяет подключать его к розеткам электропитания без заземляющего вывода.

## ОБСЛУЖИВАНИЕ

Всегда держите охлаждающие отверстия чистыми. Пользуйтесь аксессуарами и запасными частями Milwaukee. В случае возникновения необходимости в замене, которая не была описана, обращайтесь в один из сервисных центров по обслуживанию электроинструментов Milwaukee (см. список сервисных организаций).

При необходимости может быть заказан чертеж инструмента с трехмерным изображением деталей. Пожалуйста, укажите десятизначный номер и тип инструмента и закажите чертеж у Ваших местных агентов или непосредственно у Milwaukee Electric Tool, Max-Eyth-Straße 10, D-71364 Winnenden, Germany.

## СИМВОЛЫ



Пожалуйста, внимательно прочтите инструкцию по использованию перед началом любых операций с инструментом.



Перед выполнением каких-либо работ по обслуживанию инструмента всегда вынимайте вилку из розетки.



Дополнитель - В стандартную комплектацию не входит, поставляется в качестве дополнительной принадлежности.



Не выбрасывайте электроинструмент с бытовыми отходами! Согласно Европейской директиве 2002/96/EC по отходам от электрического и электронного оборудования и соответствующим нормам национального права вышедшие из употребления электроинструменты подлежат сбору отдельно для экологически безопасной утилизации.



## ТЕХНИЧЕСКИ ДАННИ

Номинална консумирана мощност	1050 W
Обороти на празен ход	5100 min <sup>-1</sup>
Ø на режещия диск x Ø на отвора	165 x 30 mm
Макс. Дълбочина на рязане при 90°	56 mm
Макс. Дълбочина на рязане при 45°	37 mm
Тегло без мрежов кабел	3,7 kg

### Информация за шума/вибрациите

Измерените стойности са получени съобразно EN 60 745.

Оцененото с А ниво на шума на уреда е съответно:

Ниво на звукова мощност (K = 3 dB(A))	95 dB(A)
Ниво на звукова мощност (K = 3 dB(A))	106 dB(A)

### Да се носи предпазно средство за слуха!

Общите стойности на вибрациите (векторна сума на три посоки) са определени в съответствие с EN 60745.

Стойност на емисии на вибрациите a <sub>h</sub>	< 2,5 m/s <sup>2</sup>
Несигурност K	1,5 m/s <sup>2</sup>

## ВНИМАНИЕ

Посоченото в тези инструкции ниво на вибрациите е измерено в съответствие със стандартизиран в EN 60745 измервателен метод и може да се използва за сравнение на електрически инструменти помежду им. Подходящ е и за временна оценка на вибрационното натоварване.

Посоченото ниво на вибрациите представя основните приложения на електрическия инструмент. Ако обаче електрическият инструмент се използва с друго предназначение, с различни сменяеми инструменти или при недостатъчна техническа поддръжка, нивото на вибрациите може да е различно. Това чувствително може да увеличи вибрационното натоварване по време на целия работен цикъл.

За точната оценка на вибрационното натоварване трябва да се вземат предвид и периодите от време, в които уредът е изключен или работи, но в действителност не се използва. Това чувствително може да намали вибрационното натоварване по време на целия работен цикъл.

Определете допълнителни мерки по техника на безопасност в защита на обслужващия работник от въздействието на вибрациите като например: техническа поддръжка на електрическия инструмент и сменяемите инструменти, поддръжане на ръцете топли, организация на работния цикъл.

**ВНИМАНИЕ!** Прочетете указанията за безопасност и съветите в приложената брошура. Неспазването на приведените по-долу указания може да доведе до токов удар, пожар и/или тежки травми.

**Съхранявайте тези указания на сигурно място.**

## СПЕЦИАЛНИ УКАЗАНИЯ ЗА БЕЗОПАСНОСТ

**ОПАСНОСТ:** Дръжте ръцете си на разстояние от зоната на рязане и от циркулярния диск. С втората си ръка дръжте спомагателната ръкохватка или корпуса на електродвигателя. Когато държите циркуляра с двете си ръце, няма опасност да ги нараните с режещия диск.

**Не пхайте ръцете си под обработвания детайл.**

Предпазният кожух не може да Ви защити в зоната под обработвания детайл.

**Винаги настройвайте дълбочината на рязане съобразно дебелината на стената на обработвания детайл.** От обратната страна на детайла дискът трябва да се подава на разстояние, по-малко от една височина на зъба.

**Никога не задържайте обработвания детайл с ръка или на коляното си.** Застопорявайте го към стабилна основа. За да ограничите опасността от нараняване, заклиняване на циркулярния диск или загуба на контрол на електроинструмента, е изключително важно детайлът да бъде застопорен правилно.

**Ако в зоната на рязане може да има скрити електропроводници под напрежение или когато съществува опасност от срязване на захранващия кабел на електроинструмента, го дръжте винаги за изолпирани повърхности на ръкохватките.** При влизане в съприкосновение с проводник под напрежение, то се предава на всички метални части на електроинструмента, което може да доведе до токов удар.

**При надлъжно разрязване винаги използвайте направляваща опора или прав водещ ръб.** Така точността на рязане ще се подобри, а опасността от заклиняване на циркулярния диск ще се намали.

**Винаги използвайте циркулярни дискове с подходящ размер и форма на присъединителния отвор (звездобразен или кръгъл).** Циркулярни дискове, които не пасват точно на стъпалото на вала, имат биене и могат да предизвикат загуба на контрол над електроинструмента.

**детайла.** Ако режещият диск се заклини, при повторното включване на електроинструмента той може да излезе от разрязваната междина или да предизвика откат.

**За да ограничите опасността от възникване на откат, подпирайте големи плоскости по подходящ начин.** При разрязване големите плоскости имат стремеж да се огънат под действие на собствената си сила на тежестта. Те трябва да бъдат подпирани от двете страни на среза, в близост до него и в близост до отдалечения им край.

**Не използвайте затъпени или повредени циркулярни дискове.** Когато дисковете са затъпени или обрънати в неправилната посока, разрязваната междина е тясна, поради което силно се увеличават триенето, както и опасността от заклиняване и откат.

**Преди да започнете разрязването, се уверете, че механизмите за регулиране на дълбочината и наклона на разрязване са затегнати здраво.** Ако по време на рязане под действие на възникващите сили настройките се променят, това може да доведе до заклиняване и откат на електроинструмента.

**Когато връзвате диска в стена или други повърхности, под които могат да се крият опасности, бъдете изключително предпазливи.** Режещият диск може да влезе в съприкосновение със скрити под повърхността предмети, да блокира и да предизвика откат.

**Винаги преди започване на работа проверявайте дали долният предпазен кожух се затваря правилно. Не използвайте циркуляра, ако долният предпазен кожух не се движи свободно и не покрива веднага режещия диск. Никога не задържайте отворен или не препятствайте по какъвто и да било начин затварянето на долния предпазен кожух.** Ако циркулярът бъде изтърван по невнимание, долният предпазен кожух може да се изкриви. Отворете го с ръкохватката и се уверете, че може да се движи свободно и независимо от настройката на наклона и дълбочината на рязане не допира до циркулярния диск или други подвижни детайли.

**Проверявайте дали пружините на долния предпазен кожух функционират правилно. Ако долният предпазен кожух и/или пружината му не работят правилно, преди да бъде използван, електроинструментът трябва да бъде ремонтиран.** В резултат на повреждане на детайли, отлагане на лепливи вещества или натрупване на стърготини долният предпазен кожух може да започне да се движи забавено.

**Отваряйте долния предпазен кожух само при изпъляване на специални срезове, напр. разрязване с пробиване или рязане в близост до ъгли. Отворете долния предпазен кожух с помощта на ръкохватката и я отпуснете веднага след като режещият диск пробие детайла.** При всички други случаи долният предпазен кожух трябва да работи автоматично.

**Не оставяйте циркуляра на работния плот или на земята, без долният предпазен кожух да е покрيل режещия диск.** Незащитен циркулярен диск, който се върти, придвижва циркуляра в обратна посока и разрязва намиращите се на пътя му предмети. Затова се съобразявайте с необходимото за спирането на въртенето по инерция време.

Режещи дискове, които не отговарят на параметрите в настоящето упътване за експлоатация, не бива да се използват.

**Носете средство за защита на слуха.** Въздействието на шума може да предизвика загуба на слуха.

Моля не използвайте шлифовъчни дискове!

Контактите във външните участъци трябва да бъдат оборудвани със защитни прекъсвачи за утечен ток. Това изисква предписанието за инсталиране за електрическата инсталация. Моля спазвайте това при използване на Вашия уред.

При работа с машината винаги носете предпазни очила. Препоръчат се също така предпазни ръкавици, здрави и нехлъзгащи се обувки, както и престилка.

Преди каквито и да е работи по машината извадете щепсела от контакта.

Свързвайте машината към контакта само в изключено положение.

Свързващият кабел винаги да се държи извън работния обсег на машината. Кабелът да се отвежда от машината винаги назад.

Прахът, който се образува при работа, често е вреден за здравето и не бива да попада в тялото. Да се носи подходяща прахозащитна маска.

Преди всяко използване проверете за повреда и стареене уреда, свързващия кабел, удължителния кабел и щепсела. Повредените части да се ремонтират само от специалист.

Не запявайте пусковия бутон при работа на ръчен контрол.

## ИЗПОЛЗВАНЕ ПО ПРЕДНАЗНАЧЕНИЕ

Ръчният циркулярен трион може да се използва за рязане по права линия в дърво, пластмаса и алуминий.

Този уред може да се използва по предназначение само както е посочено.

## СЕ - ДЕКЛАРАЦИЯ ЗА СЪОТВЕТСТВИЕ

Декларираме на собствена отговорност, че този продукт съответства на следните стандарти или нормативни документи: EN 60745, EN 55014-1, EN 55014-2, EN 61000-3-2, EN 61000-3-3, EN 61000-3-3, съобразно предписанията на директивите 98/37/EO, 2004/108/EO.



Winnenden, 2009-04-14

Rainer Kumpf  
Manager Product Development

## СВЪРЗВАНЕ КЪМ МРЕЖАТА

Да се свързва само към еднофазен променлив ток и само към мрежово напрежение, посочено върху заводската табелка. Възможно е и свързване към контакт, който не е от тип "шуко", понеже конструкцията е от защитен клас II.

## ПОДДРЪЖКА

Вентилационните шлицы на машината да се поддържат винаги чисти.

Да се използват само аксесоари на Milwaukee резервни части на Milwaukee. Елементи, чиято подмяна не е описана, да се дадат за подмяна в сервис на Milwaukee (вижте брошурата "Гаранция и адреси на сервиси").

При необходимост можете да поискате за уреда от Вашия сервис или директно от Milwaukee Electric Tool, Max-Eyth-Straße 10, D-71364 Winnenden, Germany, чертеж за в случай на експлозия, като посочите типа на машината и десетцифрения номер върху заводската табелка.

## СИМВОЛИ



Преди пускане на уреда в действие моля прочетете внимателно инструкцията за използване.



Преди всякакви работи по машината извадете щепсела от контакта.



Аксесоари - Не се съдържат в обема на доставката, препоръчано допълнение от програмата за аксесоари.



Не извърляйте електроинструменти при битовите отпадъци! Съобразно Европейска директива 2002/96/EO за стари електрически и електронни уреди и нейното реализиране в националното законодателство изхабените електроинструменти трябва да се събират отделно и да се предават в пункт за екологосъобразно рециклиране.

## DATE TEHNICE

Putere nominală de ieșire.....	1050 W
Viteza la mers în gol.....	5100 min <sup>-1</sup>
Diametru lamă x diametru orificiu.....	165 x 30 mm
Adâncime max. de tăiere la 90°.....	56 mm
Adâncime max. de tăiere la 45°.....	37 mm
Greutate fără cablu.....	3,7 kg

### Informație privind zgomotul/vibrațiile

Valori măsurate determinate conform EN 60 745.

Nivelul de zgomot evaluat cu A la aparatului este tipic de:

Nivelul presiunii sonore (K=3 dB(A)).....	95 dB(A)
Nivelul sunetului (K=3 dB(A)).....	106 dB(A)

### Purtați căști de protecție

Valorile totale de oscilație (suma vectorială pe trei direcții) determinate conform normei EN 60745.

Valoarea emisiilor de oscilații a.....	< 2,5 m/s <sup>2</sup>
Nesiguranță K.....	1,5 m/s <sup>2</sup>

## AVERTISMENT

Gradul de oscilație indicat în prezentele instrucțiuni a fost măsurat în conformitate cu o procedură de măsurare normată prin norma EN 60745 și poate fi folosit pentru a compara unele electrice între ele. El se pretează și pentru o evaluare provizorie a solicitării la oscilații.

Gradul de oscilație indicat reprezintă aplicațiile principale ale uneltelor electrice. În cazul în care însă unele electrice au fost folosite pentru alte aplicații, ori au fost folosite unelte de muncă diferite ori acestea nu au fost supuse unei suficiente inspecții de întreținere, gradul de oscilație poate fi diferit. Acest fapt poate duce la o creștere netă a solicitărilor la oscilații de lungă durată în timpul perioadei de lucru.

În scopul unei evaluări exacte a solicitării la oscilații, urmează să fie luate în considerare și perioadele de timp în care aparatul a fost oprit ori funcționează dar, în realitate, el nu este folosit în mod practic. Acest fapt poate duce la o reducere netă a solicitărilor la oscilații de lungă durată în timpul perioadei de lucru.

Stabiliți măsuri de siguranță suplimentare în scopul protecției utilizatorului de efectele oscilațiilor, de exemplu: inspecție de întreținere a uneltelor electrice și a celor de muncă, păstrarea caldă a mâinilor, organizarea proceselor de muncă.

**AVERTISMENT! Citiți toate avizele de siguranță și indicațiile, chiar și cele din borșura alăturată.** Nerespectarea indicațiilor de avertizare și a instrucțiunilor poate provoca electrocutare, incendii și/sau răniri grave.  
**Păstrați toate indicațiile de avertizare și instrucțiunile în vederea utilizărilor viitoare.**

## INSTRUCIUNI DE SECURITATE

**PERICOL: Țineți mâinile departe de zona de tăiere și de pânza de ferăstrău. Cea de-a doua mână țineți-o pe mânerul suplimentar sau pe carcasa motorului.** Dacă țineți ferăstrăul circular cu ambele mâini, pânza de ferăstrău nu le poate răni.

**Nu introduceți mâna sub piesa de lucru.** Apărătoarea nu vă poate proteja sub piesa de lucru.

**Adaptați adâncimea de tăiere la grosimea piesei de lucru.** Sub piesa de lucru ar trebui să se vadă mai puțin de înălțimea întregă a unui dinte.

**Nu țineți niciodată în mână sau pe picior piesa de lucru. Asigurați piesa de lucru pe o platformă stabilă.** Este important ca piesa de lucru să fie bine fixată pentru a reduce la minimum pericolul de contact corporal, blocarea pânzei de ferăstrău sau de pierdere a controlului.

**Apucați mașina numai de mânerul izolat atunci când executați lucrări la care dispozitivul de tăiere ar putea nimeri conductori ascunși sau propriul cablu de alimentare al mașinii.** Contactul cu un conductor sub tensiune determină punerea sub tensiune a componentelor metalice ale mașinii și duce la electrocutare.

**La tăierea longitudinală folosiți întotdeauna un opritor sau un limitator paralel pentru margini.** Acesta sporește precizia de tăiere și diminuează posibilitatea blocării pânzei de ferăstrău.

**Folosiți întotdeauna pânze de ferăstrău de mărime corespunzătoare și cu orificiu de prindere adecvat (de ex în formă de stea sau rotund).** Pânzele de ferăstrău care nu se potrivesc elementelor de montaj ale ferăstrăului, se vor roti excentric și vor duce la pierderea controlului.

**Nu folosiți niciodată șabla suport sau șuruburi deteriorate sau greșite pentru pânzele de ferăstrău.** Șabla suport și șuruburile pentru pânzele de ferăstrău au fost special construite pentru ferăstrăul dv., în vederea atingerii unor performanțe și a unei siguranțe optime în exploatare.

Cauzele și evitarea unui recul:

- reculul este o reacție bruscă provocată de o pânză de ferăstrău înțepenită, blocată sau aliniată greșit, care face ca un ferăstrău necontrolat să se ridice și să iasă afară din piesa de lucru deplasându-se în direcția operatorului;

- dacă pânza de ferăstrău se agită sau se înțepenește în fâgașul de tăiere, ea se blochează iar puterea motorului aruncă mașina înapoi, în direcția operatorului;

- dacă pânza de ferăstrău se răsucesce sau se aliniază greșit în tăietură, dinții mchiei posterioare a pânzei de ferăstrău se apot agăța în suprafața piesei de lucru, ceea ce face ca pânza de ferăstrău să iasă afară din fâgașul de tăiere iar ferăstrăul să sară înapoi, în direcția operatorului.

Recul este consecința utilizării greșite sau defectuoase a ferăstrăului. El poate fi împiedicat prin măsuri de prevenire adecvate, conform celor descrise în cele ce urmează.

**Apucați întotdeauna strâns ferăstrăul cu ambele mâini și aduceți-vă bratele într-o poziție, în care să reziste forțelor de recul. Stați întotdeauna lateral față de pânza de ferăstrău, nu aduceți niciodată pânza de ferăstrău pe aceeași linie cu corpul dv.** În caz de recul ferăstrăul circular poate sări înapoi, însă operatorul are posibilitatea de a stăpâni forțele de recul dacă au fost adoptate măsuri adecvate.

**Dacă pânza de ferăstrău se înțepenește sau dacă tăierea este întreruptă dintr-un anumit motiv, eliberați întrerupătorul pornit-oprit și lăsați ferăstrăul nemșcat în materialul de prelucrat, până când pânza de ferăstrău se oprește complet. Nu încercați niciodată să îndepărtați ferăstrăul dn material sau să-l trageți înapoi, atât timp cât pânza de ferăstrău se mai mișcă sau cât mai există încă riscul producerii de recul.** Găsiți cauza înțepenirii pânzei de ferăstrău și înlăturați-o prin măsuri adecvate.

**Atunci când dorți să reporniți ferăstrăul rămas în piesa de lucru, centrați pânza de ferăstrău în fâgașul de tăiere și verificați dacă dinții acesteia nu sunt agățați în piesa de lucru.** Dacă pânza de ferăstrău este înțepenită, ea poate ieși afară din piesa de lucru sau provoca un recul la repornirea ferăstrăului.

**Sprîjiniți plăcile mari pentru a diminua riscul unui recul provocat de o pânză de ferăstrău înțepenită.** Plăcile mari se pot îndoi sub propria lor greutate. Plăcile trebuie sprîjinite pe ambele laturi, atât în apropierea fâgașului de tăiere cât și la margine.

**Nu folosiți pânze de ferăstrău tocite sau deteriorate.** Pânzele de ferăstrău cu dinți tociți sau alinați greșit produc, din cauza

fâgașului de tăiere prea îngust, o frecare crescută, înțepenirea pânzei de ferăstrău și recul.

**Înainte de tăiere fixați prin strângere dispozitivele de reglare a adâncimii și unghiului de tăiere.** Dacă în timpul tăierii reglajele se modifică, pânza de ferăstrău se poate înțepeni și provoca apariția reculului.

**Fiți foarte precauți atunci când executați o tăiere cu penetrare directă în material într-un sector ascuns, de ex. într-un perete.** Pânza de ferăstrău care pătrunde în perete se poate bloca în obiecte ascunse și provoca recul.

**Înainte de fiecare întrebuintare, verificați dacă apărătoarea inferioară nu se poate mișca liber și dacă nu se închide instantaneu. Nu fixați și nu legați niciodată apărătoarea inferioară în poziție deschisă.** Dacă ferăstrăul cade accidental pe jos, apărătoarea inferioară se poate îndoi. Deschideți apărătoarea inferioară cu maneta de retragere și asigurați-vă că se poate mișca liber și că în toate unghiurile și adâncimile de tăiere nu atinge nici pânza de ferăstrău și nici celelalte componente.

**Verificați funcționarea arcului apărătoarei inferioare. Înainte de întrebuintare întrețineți mașina în caz că apărătoarea inferioară și arcul nu lucrează impecabil.** Componentele deteriorate, depunerile vâscoase sau aglomerările de așchii due la acțiunea lentă a apărătoarei inferioare.

**Deschideți manual apărătoarea inferioară numai în cazul operațiilor speciale de tăiere ca „tăieri cu penetrare directă în material și tăieri unghiulare”. Deschideți apărătoarea inferioară cu maneta de retragere și eliberați-o, de îndată ce pânza de ferăstrău a pătruns în piesa de lucru.** La toate celelalte lucrări de tăiere apărătoarea inferioară trebuie să funcționeze automat.

**Nu puneți ferăstrăul pe bancul de lucru sau pe podea, fără ca apărătoarea inferioară să acopere pânza de ferăstrău.** O pânză de ferăstrău neprotejată, care se mai învârtă din inerție, mișcă ferăstrăul în sens contrar direcției de tăiere și taie tot ce îi stă în cale. Respectați timpul de oprire al ferăstrăului.

Nu utilizați lamele care nu corespund datelor oferite în prezentele instrucțiuni de utilizare.

**Purtați aparatoarea de urechi.** Expunerea la zgomot poate produce pierderea auzului.

Montarea unor discuri abrazive este interzisă!

Aparatele utilizate în multe locații diferite inclusiv în aer liber trebuie conectate printr-un disjunctiv (FI, RCD, PRCD) care previne comutarea.

Purtați întotdeauna ochelari de protecție atunci când utilizați mașina. Se recomandă purtarea mănușilor, a încălțămintei solide nealunecoase și sortului de protecție.

Întotdeauna scoateți stecherul din priză înainte de a efectua intervenții la mașină.

Conectați la rețea numai când mașina este oprită.

Pastrați cablul de alimentare la o distanță de aria de lucru a mașinii. Întotdeauna țineți cablul în spatele dvs.

Înainte de utilizare verificați mașina, cablul și stecherul pentru orice defecțiuni sau uzură a materialului. Reparațiile trebuie efectuate numai de către agenții de service autorizați.

Nu fixați comutatorul pornire / oprire în poziția „pornit” când se utilizează ferăstrăul de mână.

Praful care apare când se lucrează cu această sculă poate fi dăunător sănătății și prin urmare nu trebuie să atingă corpul. Purtați o mască de protecție corespunzătoare împotriva prafului.

## CONDIȚII DE UTILIZARE SPECIFICE

Acest ferăstrău circular electronic poate tăia lungimi și unghiuri în lemn, plastic și aluminiu.

Nu utilizați acest produs în alt mod decât cel stabilit pentru utilizare normală

## DECLARAȚIE DE CONFORMITATE

Declaram pe propria răspundere că acest produs este în conformitate cu următoarele standarde sau documente standardizate EN 60745, EN 55014-1, EN 55014-2, EN 61000-3-2, EN 61000-3-3, EN 61000-3-3 în conformitate cu reglementările 98/37/EC, 2004/108/EC.



Winnenden, 2009-04-14

Rainer Kumpf  
Manager Product Development

## ALIMENTARE DE LA REȚEA

Conectați numai la priză de curent alternativ monofazat și numai la tensiunea specificată pe placuța indicatoare. Se permite conectarea și la prize fără împământare dacă modelul se conformează clasei II de securitate.

## INTREȚINERE

Fantele de aerisire ale mașinii trebuie să fie menținute libere tot timpul

Utilizați numai accesorii și piese de schimb Milwaukee. Dacă unele din componente care nu au fost descrise trebuie înlocuite, vă rugăm contactați unul din agenții de service Milwaukee (vezi lista noastră pentru service / garanția)

Dacă este necesară, se poate comanda o imagine descompusă a sculei. Vă rugăm menționați numărul art. Precum și tipul mașinii tipărit pe etichetă și comandați desenul la agenții de service locali sau direct la Milwaukee Electric Tool, Max-Eythr-Straße 10, D-71364 Winnenden, Germany.

## SIMBOLURI



Vă rugăm citiți cu atenție instrucțiunile înainte de pornirea mașinii



Întotdeauna scoateți stecherul din priză înainte de a efectua intervenții la mașină.



Accesoriu - Nu este inclus în echipamentul standard, disponibil ca accesoriu



Nu aruncați scule electrice în gunoii menajer! Conform directivei europene nr. 2002/96/CE referitor la aparate electrice și electronice uzate precum și la transpunerea acesteia în drept național, sculele electrice trebuie colectate separat și introduse într-un circuit de reciclare ecologică.



## ТЕХНИЧКИ ПОДАТОЦИ

Определен внес .....	1050 W
Брзина без оптоварување .....	5100 min <sup>-1</sup>
Сечило на пила дијаметар х дијаметар на отвор .....	165 x 30 mm
Максимална Длабочина на сечење при 90° .....	56 mm
Максимална Длабочина на сечење при 45° .....	37 mm
Тежина без кабел .....	3,7 kg

### Информација за бучавата/вибрациите

Измерените вредности се одредени согласно стандардот EN 60 745.

A-оценетото ниво на бучава на апаратот типично изнесува:

Ниво на звучен притисок, (K = 3dB(A)) .....	95 dB(A)
Ниво на јачина на звук, (K = 3dB(A)) .....	106 dB(A)

### Носте штитник за уши.

Вкупни вибрациски вредности (векторски збир на трите насоки) пресметани согласно EN 60745.

Вибрациска емисиона вредност а <sub>h</sub> .....	< 2,5 m/s <sup>2</sup>
Несигурност K .....	1,5 m/s <sup>2</sup>

## ПРЕДУПРЕДУВАЊЕ

Нивото на осцилација наведено во овие инструкции е измерено во согласност со мерните стандарти во EN 60745 и може да биде употребено за меѓусебна споредба на електро-алати. Ова ниво може да се употреби и за привремена проценка на оптоварувањето на осцилацијата.

Наведеното ниво на осцилација ги репрезентира главните намени на електро-алатот. Но, доколку електро-алатот се употребува за други намени, со отстапувачки додатоци или со несоодветно одржување, нивото на осцилација може да отстапи. Тоа може значително да го зголеми оптоварувањето на осцилацијата за време на целиот работен период.

За прецизна проценка на оптоварувањето на осцилацијата предвид треба да бидат земени и времињата, во коишто апаратот е исклучен или работи, но фактички не се употребува. Тоа може значително да го намали оптоварувањето на осцилацијата за време на целиот работен период.

Утврдете дополнителни безбедносни мерки за заштита на операторот од влијанието на осцилациите, како на пример: одржување на електро-алатот и на додатоци кон електро-алатот, одржување топли раце, организација на работните процеси.

**⚠ ПРЕДУПРЕДУВАЊЕ! Прочитајте ги сите безбедносни упатства и инструкции.** Заборавање на почитувањето на безбедносните упатства и инструкции можат да предизвикаат електричен удар, пожар и/или тешки повреди. **Сочувајте ги сите безбедносни упатства и инструкции за во иднина.**

## УПАТСТВО ЗА УПОТРЕБА

**⚠ Опасност: Држете ги рацете настрана од зоната на сечење. Држете ја другата рака на помошната рачка или куќиштето на моторот.** Доколку пилата ја држите со двете раце, не можете да се пресечете од сечилото.

**Не посегайте под обработуваното парче.** Заштитата не може да Ве заштити од сечилото под обработуваното парче.

**Прилагодете ја длабочината на засекот во зависност од густината на обработуваното парче.** Нешто помалку од цел забез од сечилото треба да биде видлив под работното парче.

**Никогаш не го држете парчето кое се обработува со раце или преку нога. Обезбедете го на стабилна површина.** Важно е соодветно да ја потпирате работата како би ја минимизирале телесната изложеност, виткањето на сечилото или губењето контрола.

**Држете го електричниот алат за издадени површини при изведување на операции при кои алатот за сечење можат да дојдат во контакт со скриени жици или сопствениот гајтан.** Контакт со жица под напон исто така ќе направи проводници од металните делови и оној кој ракува со алатот ќе доживее струен удар.

**При ракување со рачна пила користете бариера или водилка под прав агол.** Ова ја подобрува прецизноста на резот и го намалува ризикот од свиткување на сечилото. Сечила кои не одговараат на монтираниот хардвер на пилата ќе се движат неправилно предизвикувајќи губење на контролата.

**Никогаш не користете оштетени или несоодветни средства за чистење или.** Тие средства и. Се специјално наменети за вашата пила, за оптимални перформанси и сигурност при користењето.

Причини и начин на спречување на повратен ефект.

- повратниот ефект е ненадејна реакција при откршување, свиткување или измествување на сечилото, и предизвикува неконтролираното сечило од пилата да се крене и да излезе од обработуваното парче кон оној кој работи.

- кога сечилото е откриено или цврсто завиткано од затворањето, запците на сечилото и реакцијата на моторот ја турка брзо назад кон оној кој работи со неа.

- доколку сечилото се извита или се измести во сечењето, забезот на надворешниот раб на сечилото може да се зарие во горната површина на дрвото правејќи сечилото да излезе од лежиште и да скокне кон оној кој работи.

Повратниот ефект е резултат на неправилна употреба на пилата и/или некоректни работни процедури или услови и може да биде избегнат со превземање на соодветни претпазливи постапки наведени подолу.

**Држете цврсто со двете раце кои се поставени да пружат отпор при повратен удар. Поставете го вашето тело од било која страна на сечилото, но не во негова линија.** Повратниот удар може да предизвика пилата да потскокне назазад, но јачината на повратниот удар може да биде контролирана од операторот доколку се преземени соодветни мерки на претпазливост.

**Кога сечилото се свиткало, или прекин на сечењето од било која причина, ослободете го прекинувачот и држете го ножот во материјалот без да делувате, се додека не дојде до потполно запирање на сечилото. Никогаш не се обидувајте да ја тргнете пилата или да ја повлечете назазад додека сечилото се движи или може да се појави повратен удар.** Испитајте ги и преземете корективни чекори за да ја елиминирате причината за свиткување на сечилото.

**По рестартирање на пилата во обарботуваното парче, центрирајте го сечилото на пилата во кривината и проверете запците на пилата да не се навлезени во материјалот.** Доколку сечилото на пилата е свиткано, може да тргне нагоре или да излезе од обработуваното парче, кога таа ќе се стартува.

**Потпирајте ги големите панели како би го минимизирале ризикот од свиткување на сечилото и повратен удар.** Големите панели имаат тенденција да се свиткаат под сопствената тежина. Мора да биде поставена потпора под панелот од двете страни, блиску до линијата на сечење и блиску до работ на панелот.

**Не користете отапени или оштетени сечила.** Ненаострните или не соодветно поставените сечила создаваат остра кривина која предизвикува интензивно триење, виткање на сечилото и повратен удар.

**Длабочината на сечилото и прилагодливост заклучувач на рачката мора да биде стегнат и обезбеден пред да се**

**сече.** Доколку се промени подесувањето за време на сечењето може да дојде со свиткување и повратен удар.

**Бидете екстремно претпазливи при рез со забодување во постоечки сидови или други армирани површини.**

**Проверете ја долната заштита дали е соодветно затворена пред секоја употреба. Не работете со пилата доколку долната заштита не се движи слободно и не се затвора моментално.** Никогаш не ја затегнувајте ниту врзувајте долната заштита во отворена позиција. Доколку пилата падне ненамерно, долната заштита може да се свитка. Кренете ја долната заштита со повлекување на рачката и осигурете се дека се движи слободно не допирајќи до сечилото или било кој друг дел под било кој агол и длабочина на засек.

**Проверете го функционирањето на федерот на долната заштита. Доколку заштитата и федерот не се отвораат соодветно, мора пред употреба да бидат сервисирани.** Долната заштита може да функционира трома поради оштетените делови, лепливи остатоци или насобрани делчиња.

**Долната заштита треба да биде рачно повлечена само при специјални резови како ,резови со забодување, или ,сложени резови.** Кренете ја долната заштита со повлекување на рачката веднаш штом сечилото влезе во материјалот, долната заштита мора да биде отпуштена. При секое друго сечење, долната заштита мора да работи автоматски.

**Секогаш гледајте долната заштита да го покрива сечилото пред пилата да ја слуштите на маса или под.** Незаштитено лизгање на сечилото ќе предизвика пилата да тргне назазад, сечејќи се што ќе се најде на патот. Бидете свесни за потребното време за кое сечилото престанува да работи, по ослободувањето на прекинувачот.

Не користете сечила кои не одговараат на пропишаните параметри дадени во овој прирачник за употреба.

**Носете штитник за уши.** Изложеноста на бука може да предизвика губење на слухот.

Ве молиме не користете абразивни дискови-шмиргли на оваа машина!

Уредите кои се користат на многу различни локации вклучувајќи и отворен простор мора да бидат поврзани за струја преку направата за поврзување (FI, RCD, PRCD).

Секогаш носете ракавици кога ја користите машината. Исто така препорачливо е да се носат очила, цврсти чевли кои не се лизгаат и престилка.

Секогаш кога преземате активности врз машината исклучете го кабелот од струјата.

Вклучувањето на кабелот во струја се прави исклучиво машината е исклучена.

Чувајте го кабелот за напојување подалеку од работната површина. Секогаш водете го кабелот позади вас.

Пред употреба проверете дали машината, кабелот и приклучокот се исправни. Ако се оштетени дозволени се поправки исклучиво од авторизиран сервис.

Не го фиксирајте прекинувачот во позиција он-вклучено кога ја користите пилата држејќи ја со рака.

Пршината која се создава при користење на овој алат може да биде штетна по здравјето. Не ја вдишувајте. Носете соодветна заштитна маска.

## СПЕЦИФИЦИРАНИ УСЛОВИ НА УПОТРЕБА

Електронската циркуларното сечило може да сече надолжно и триаголно прецизно во дрво, пластика и алуминиум.

Не го користете овој производ на било кој друг начин освен пропишаниот за нормална употреба.

## ЕУ-ДЕКЛАРАЦИЈА ЗА СООБРАЗНОСТ

Ние во целосна одговорност изјавуваме дека овој производ е во сообразност со следните стандарди и стандардизирани документи. EN 60745, EN 55014-1, EN 55014-2, EN 61000-3-2, EN 61000-3-3, и е во согласност со прописите 98/37/EC, 2004/108/EC



Winnenden, 2009-04-14

Rainer Kumpf  
Manager Product Development

## ГЛАВНИ ВРСКИ

Да се спои само за една фаза AC коло и само на главниот напон наведен на плочката. Можно е исто така и поврзување на приклучок без заземување доколку изведбата соодветствува на безбедност од 2 класа.

## ОДРЖУВАЊЕ

Вентилациските отвори на машината мора да бидат комплетно отворени постојано.

Користете само Milwaukee додатоци и резервни делови. Доколку некои од компонентите кои не се опишани треба да бидат заменети, Ве молиме контактирајте ги сервисните агенти на Milwaukee (консултирајте ја листата на адреси).

Доколку е потребно можно е да биде набавен детален приказ на алатот. Ве молиме наведете го бројот на артиклот како и типот на машина кој е отпечатан на етикетата и порачајте ја скицата кај локалниот застапник или директно кај: Milwaukee Electric Tool, Max-Eyth-Straße 10, D-71364 Winnenden, Germany.

## СИМБОЛИ



Ве молиме пред да ја стартувате машината обрнете внимание на упатствата за употреба.



Секогаш пред спроведување на каков и да е работ, по ослободувањето го кабелот од приклучокот.



Дополнителна опрема - Не е вклучена во стандардната, а достапна е како додаток.



Не ги фрлајте електричните апарати заедно со другите домашен отпад! Европска регулатива 2002/96/EC за одлагање на електрична и електронска опрема и се применува согласно националните закони. Електричните апарати кои го достигнале крајот на својот животен век мора да бидат одвоено собрани и вратени во соодветна рециклижна установа.



## 技术数据

输入功率.....	1050 W
无负载转速.....	5100 min <sup>-1</sup>
锯刀直径 x 锯刀孔直径.....	165 x 30 mm
最大切深 90 度.....	56 mm
最大切深 45 度.....	37 mm
不含电缆重量.....	3,7 kg

## 噪音/振动信息

本测量值符合 EN 60 745 条文的规定。

器械的标准A-值噪音级为：

音压值 (K=3 dB(A)).....	95 dB(A)
音量值 (K=3 dB(A)).....	106 dB(A)

请戴上护耳罩！

依欧盟EN 60745 标准确定的振荡总值（三方向矢量和）。

a <sub>w</sub> -振荡发射值.....	< 2,5 m/s <sup>2</sup>
K-不可靠性.....	1,5 m/s <sup>2</sup>

## 注意

本规程列出的依欧盟EN 60745 标准一项标准测量方法测量的振荡级也可用于电动工具比较并适合于临时振荡负荷估计。

该振荡级代表电动工具的主要应用。电动工具的其他应用，不正确的工作工具或欠缺维护可造成振荡级偏差。此可明显提高总工作期间的振荡负荷。

正确地估计一定工作期间的振荡负荷也要考虑到工具关闭或接通而不使用的期间。此可明确减少总工作期间的振荡负荷。

为提高操作人员对振荡作用的保护得规定补充安全措施：电动工具及工作工具的维护，温手，工作过程组织等。

**△ 注意！** 务必仔细阅读所有安全说明和安全指示（应注意阅读附上的小册子）。如未确实 遵循警告提示和指示，可能导致电击、火灾并且/ 或其他的严重伤害。妥善保存所有的警告提示和指示，以便日后查阅。

## 特殊安全指示

**△ 危险：**双手必须摆在切割范围之外并且远离锯片。操作机器时，第二隻手要握牢辅助手柄或放在马达壳上。如果使用双手握持圆锯，便不会被锯片割伤。

不可以把手放在工件的下面。防护罩无法保护摆在工件下面的手。

根据工件的厚度设定锯深。不可以让锯齿完全突出於工件之外。

不可以把正在切割的工件拿在手上或放在腿上。工件必须固定在稳固的平台上。固定好工件之后，不仅可以防止身体意外接触刀片，並且可以降低锯片被卡住或操纵失控的情况。

如果切割工具可能接触隐藏的电线或工具本身的电线，那麽在操作机器时，务必要握在手柄的绝缘部位。锯片接触了带电的电线，会把电导向其它金属部位，並引起电击。

纵割时必须使用档块或直角导引。如此不仅可以增加锯割的准确度，而且可以降低锯片被卡住的机会。

必须使用固定孔尺寸和大小正确的锯片，而且锯片中心的孔要和接头法兰的形状一致（星形或圆形）。锯片的安装孔，如果不能配合锯片的安装部件，开动机器后锯片会偏心运转，甚至会发生失控的状况。

切勿使用损坏的或不合适的锯片垫圈、锯片螺钉。锯片垫圈和锯片螺钉，都是针对个别圆锯经过特别设计。使用了正确的垫圈和螺钉不仅可以提高工作效率，更能够确保操作安全。

反弹的原因和如何避免反弹

- 所谓反弹，指的是一种突然的机器反应。导致机器反弹的原因可能是，锯片被钩住了、卡住了

或者锯片的安装方式错误。此时，失控的机器会从工件中滑出，並朝著操作者的方向移动；

- 如果锯片被钩住后卡在锯缝中，锯片转速顿时降低，此时马达的强大反衝力，会急速地把机器弹向操作者；

- 如果锯片在锯缝中扭曲了或者未安装正确，可能导致锯片后端的锯齿卡在工件表面上，更进而把整个锯片从锯缝中拔出，並且锯片也会猛烈地朝著操作者的方向弹跳。

使用错误或操作不当，都会导致圆锯反弹，为了避免上述情况，请确实遵循以下各安全措施。

使用双手握紧圆锯，持机的姿势必须能够抵挡住机器强大的反弹力道。操作机器时要站在机器的侧面，千万不可以让锯片和身体站在同一直线上。反弹时圆锯会向后衝撞，但操作者如果采取正确的防范措施，便能够及时控制住弹力。

如果锯片卡住了，或锯割过程因为任何原因突然中断了，必须马上放鬆起停开关，並静待插在工件中的锯片完全停止运动。只要锯片仍继续运动，千万不可尝试著从工件中拔出锯片，或向后抽拉圆锯，否则可能发生反弹。找出导致锯片卡住的原因，並设法排除障碍。

重新开动插在工件中的圆锯时，必须先把锯片放在锯缝的中心，然后检查是否仍有锯齿陷在工件中。如果锯片被卡住了，重新开动机器时，锯片可能滑出锯缝或者导致机器反弹。

固定好大的平板，以防止锯片被卡住以及机器反弹。大的平板由于自身重量容易向下弯曲，必须在平板下端的两侧安排支撑，一个放在锯线的附近，一个放在平板的边缘。

不可使用已经变钝或受损的锯片。锯齿如果已经变钝或位置不正，容易因为锯缝过窄，而提高锯割时的磨擦、卡住锯片並引起反弹。

锯割之前必须收紧锯深调整杆和锯角调整杆。如果锯割时设定突然改变了，可能导致锯片被卡牢並且引起反弹。

在墙壁和隐蔽处进行潜锯时必须特别留心。突出的锯片可能接触会引起反弹的物品。

## 符号



使用本机器之前请仔细阅读使用说明书。



在机器上进行任何修护工作之前，务必从插座上拔出插头。



配件 - 不包含在供货范围中。请另外从配件目录选购。



不可以把损坏的电动工具丢弃在家庭垃圾中！根据被欧盟各国引用的有关旧电子机器的欧洲法规2002/96/EC，必须另外收集旧电子机器，並以符合环保规定的方式回收再利用。

使用机器之前先检查下防护罩是否能正确关闭。切勿使用下防护罩无法自由移动、无法马上关闭的机器。千万不可以把下防护罩固定在开放的位置。如果不小心让电锯掉落地面，下防护罩可能弯曲变形。使用推杆打开防护罩，並检查防护罩是否能自由移动。在任何锯割角度和锯割深度，防护罩都不能接触锯片或其它的机件。

检查下防护罩弹簧的运作功能。如果下防护罩和弹簧无法正常运作，则必须在使用之前把机器送给专业人员维修。损坏的零件、残留在防护罩上的树脂或锯屑，都会减缓下防护罩的反应速度。只有进行特别的锯割过程时，例如潜锯和复合式锯法，才可以用手推开下防护罩。使用推柄打开下防护罩，一当锯片咬住工件，便要马上放开下防护罩。在其它的锯割过程，都应该让下防护罩自动打开、关闭。

把圆锯放在工作台或地板上之前，务必检查下防护罩是否已经完全遮盖住锯片。如果防护罩未关闭，而锯片仍继续转动，整个电锯会向后滑走，並割坏所有锯线范围内的物品。注意关机后，锯片继续转动至完全停止所需的时间。

锯刀片的规格如果与本说明书提供的规格不符，请勿使用。

请戴上耳罩。工作噪音会损坏听力。

不可安装研磨片。

户外插座必须连接剩余电流防护开关。这是使用电器用品的基本规定。使用本公司机器时，务必遵守这项规定。

操作机器时务必佩戴护目镜。最好也穿戴工作手套、坚固防滑的鞋具和工作围裙。

在机器上进行任何修护工作之前，务必从插座上拔出插头。

确定机器已经关闭了才可以插上插头。

电源线必须远离机器的作业范围。操作机器时电线必须摆在机身后端。

使用之前，先检查机器、电源电线、延长线和插头是否有任何损坏。损坏的零件只能交给专业电工换修。

用手操作机器时不可固定起停开关。

工作尘往往有害健康，不可以让工作尘接触身体。工作时请佩戴合适的防尘面具。

## 正确地使用机器

本电动手提圆锯可以在木材、塑料和铝片上进行直线割锯。

请依照本说明书的指示使用此机器。

## 电源插头

只能连接单相交流电，只能连接机器铭牌上规定的电压。本机器也可以连接在没有接地装置的插座上，因为本机器的结构符合第II 级绝缘。

## 维修

机器的通气孔必须随时保持清洁。

只能使用 Milwaukee 的配件和 Milwaukee 的零件。缺少检修说明的机件如果损坏了，必须交给 Milwaukee 的顾客服务中心更换（参考手册“保证书 / 顾客服务中心地址”）。

如果需要机器的分解图，可以向您的顾客服务中心或直接向 Milwaukee Electric Tool, Max-Eyth-Straße 10, D-71364 Winnenden, Germany. 案件时必须提供以下资料：机型和机器铭牌上的十位数号码。

Copyright 2009  
Milwaukee Electric Tool  
Max-Eyth-Straße 10  
D-71364 Winnenden  
Germany  
+49 (0) 7195-12-0

