



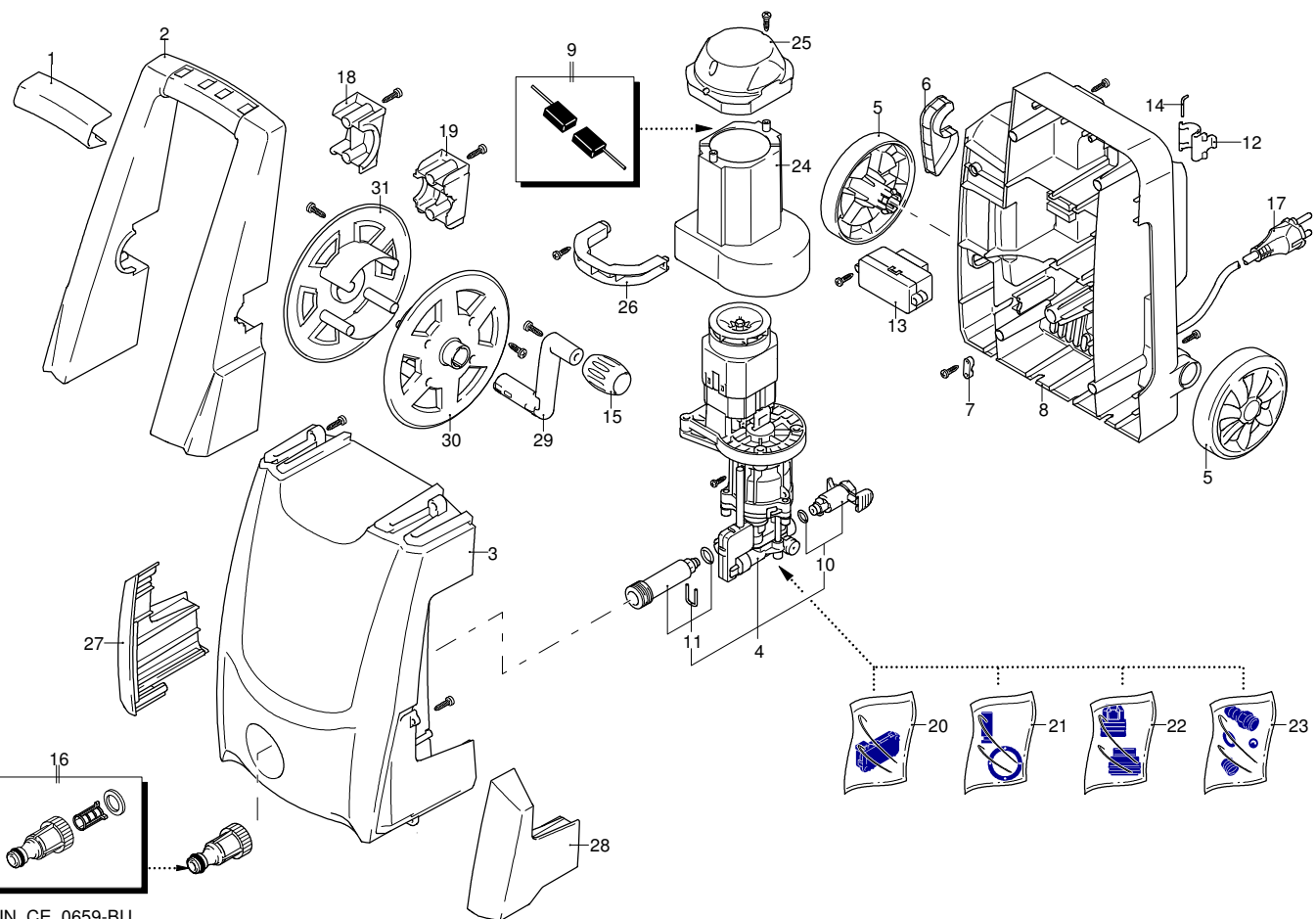
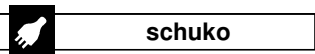
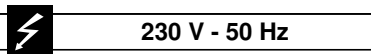
# Model MPX 130 BW

Version:

Serial number:

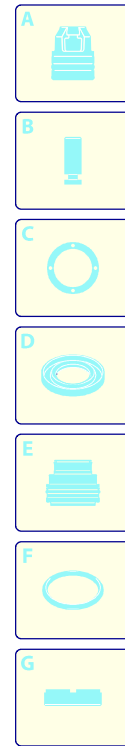
Code: **13331**

26/06/2012



UN\_CE\_0659-BU

Validity	Pos.	Code	Description	Q
	1	3622180	Knob	1
	2	3622170	Handle	1
	3	3622220	Casing	1
	4	3620150	Electric pump assembly	1
	5	3622370	Wheel	2
	6	3320053	Accessories carrier	1
	7	3320200	Cable gland	1
	8	3620171	Base	1
	9	3641000	Brush kit for motor	1
	10	3620051	Delivery kit	1
	11	3620040	Detergent suction kit	1
	12	3320081	Accessories carrier	1
	13	3320440	Switch	1
	14	3320520	Fork	1
	15	3640282	Knob	1
	16	3082130	Water coupling kit	1
	17	3320620	Cable	1
	18	3622200	Plug	1
	19	3622190	Plug	1
	20	3620130	TSS kit	1
	21	3620140	Piston + seals kit	1
	22	3620080	Valves + seals kit	1
	23	3620070	Detergent plug kit	1
	24	3620110	Conveyor	1
	25	3620120	Cover	1
	26	3620100	Bracket	1
	27	3622240	Door	1
	28	3622230	Door	1
	29	3622210	Lever	1
	30	3640260	Plate	1
	31	3640250	Plate	1





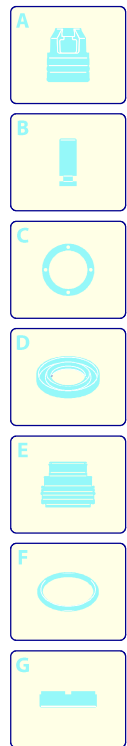
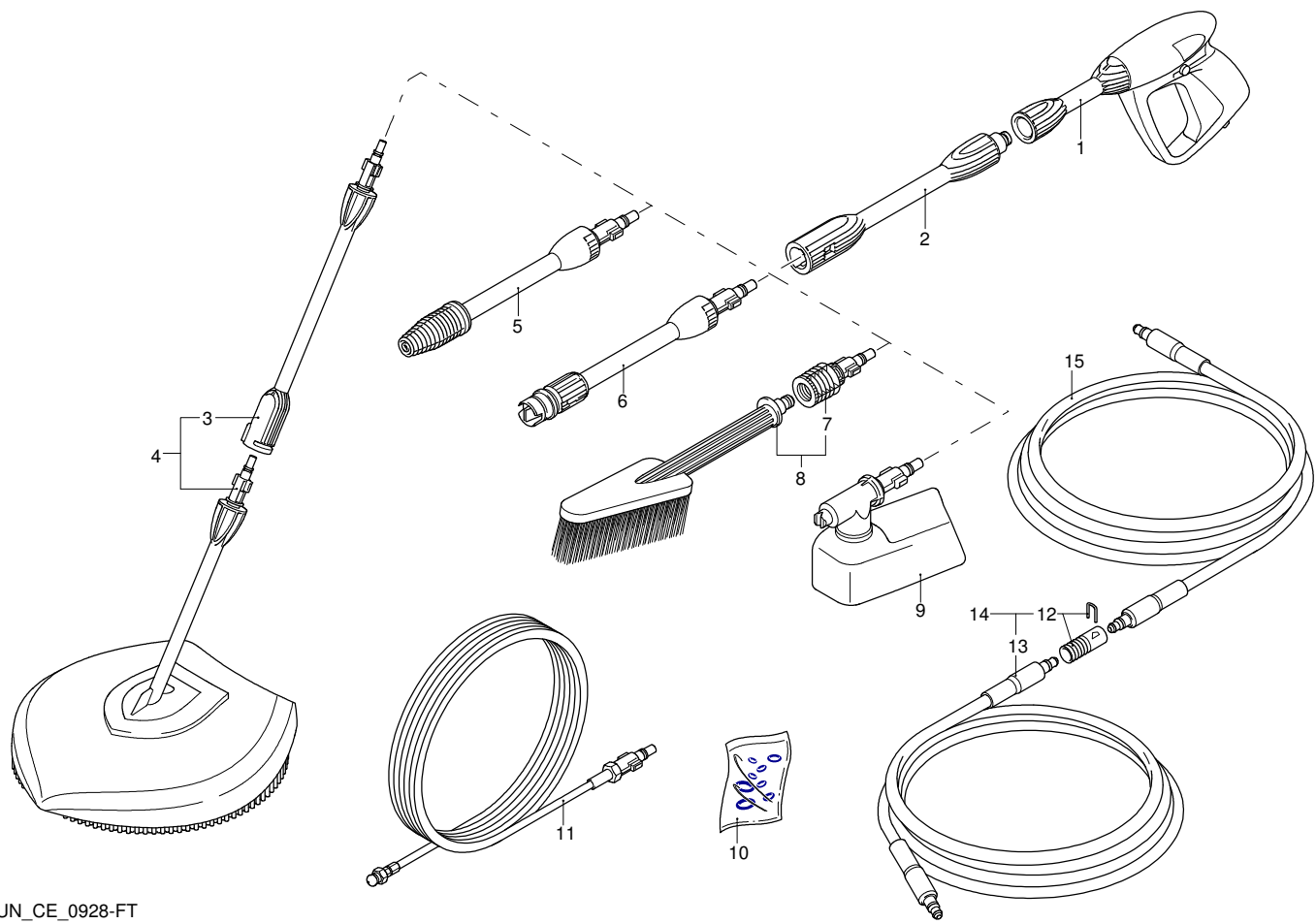
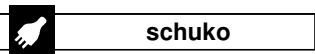
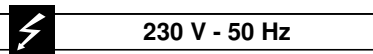
# Model MPX 130 BW

Version:

Serial number:

Code: **13331**

26/06/2012



Validity	Pos.	Code	Description	Q
	1	3320151	Gun	1
	2	3320130	Extension	1
	3	3760680	Extension	1
	4	41277	Patio cleaner	1
	5	3320120	Lance+rotopower	1
	6	3640650	Lance+lance head	1
	7	40788	Adaptor	1
	8	40787	Fixed brush	1
	9	3320261	Tank	1
	10	3641140	Gasket kit	1
	11	3083980	Hose cleaning accessory	1
	12	3641120	Adaptor	1
	13	3620200	High pressure hose	1
	14	3620210	Extension kit	1
	15	3320660	High pressure hose	1

UN\_CE\_0928-FT